



## Raritan LED KVM Console

Thank you for your purchase of Raritan's LED KVM Console, which is one of the best-known LED-backlit LCD consoles in the current market. Raritan's LED KVM Console solution is an integrated, 1U device that manages servers or KVM in data centers, server rooms and other space critical environments - directly from the racks where they are installed.

Raritan provides two LED KVM Console models: T1700-LED and T1900-LED. Both are functionally identical except for their monitor dimensions and supported video resolutions.

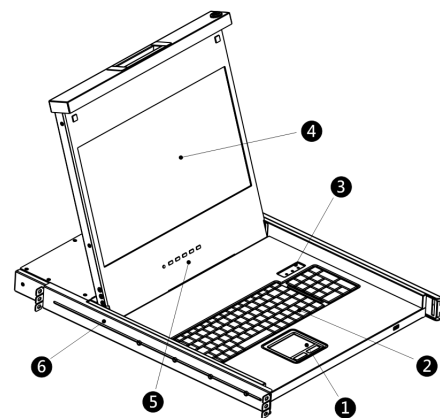
This Quick Setup Guide explains how to install and configure an LED KVM Console. For details on using this product, access Online Help or User Guide on the *Support page* (<http://www.raritan.com/support/>).

### Package Content

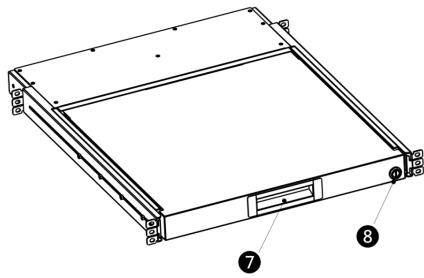
The LED KVM Console comes with standard parts shown below. Check and make sure they are included and in good condition. If anything is missing or damaged, contact Raritan or the local vendor immediately.

- LED KVM Console
- Rackmount brackets
  - \* Mounting depth adjustable from 520 to 908 mm
- KVM combo cable (VGA, USB, PS/2)
- DVI cable
- Quick Setup Guide
- Power cord
- Drawer key (to unlock the console)

### Structure Diagram



1. Touchpad
2. Keyboard
3. Indicators for Num Lock, Caps Lock and Scroll Lock status
4. LCD display
5. OSD buttons and indicator lamp
6. Adjustable mounting brackets



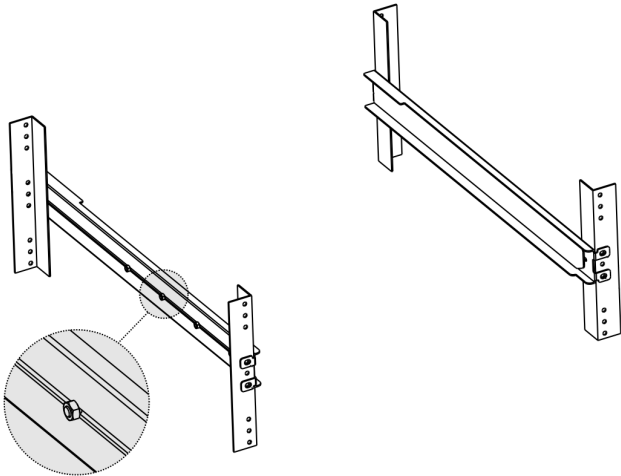
7. Ergonomic concave handle
8. Lock

## Before Installation

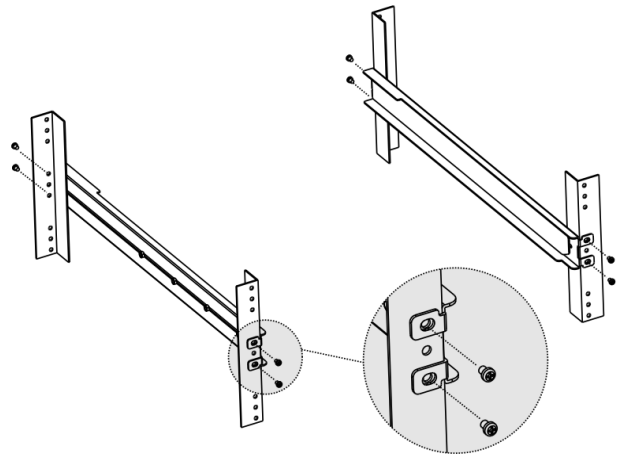
- It is very important to locate this product in a suitable environment.
- The surface for placing and fixing this product should be stable and level or mounted into a suitable cabinet.
- Make sure the place has good ventilation, is out of direct sunlight, away from sources of excessive dust, dirt, heat, water, moisture, and vibration.
- Convenience for connecting this product to the related facilities should be well considered too.

## Installation

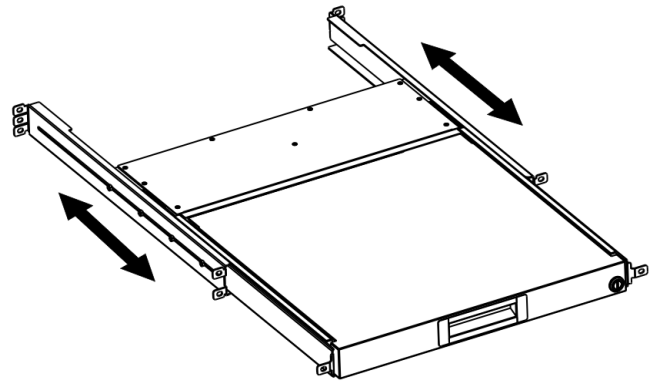
1. Slightly loosen the fasteners on the brackets, adjust the length of the brackets to match the mounting depth of the rack, and then tighten the fasteners.



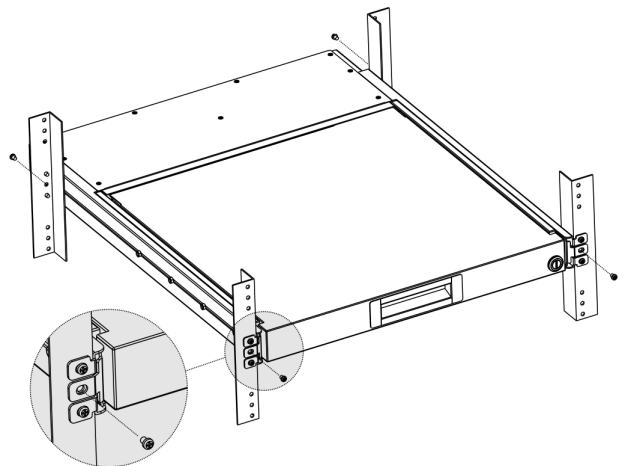
2. Fasten the brackets to the rack rails securely with your own screws or cage nuts.



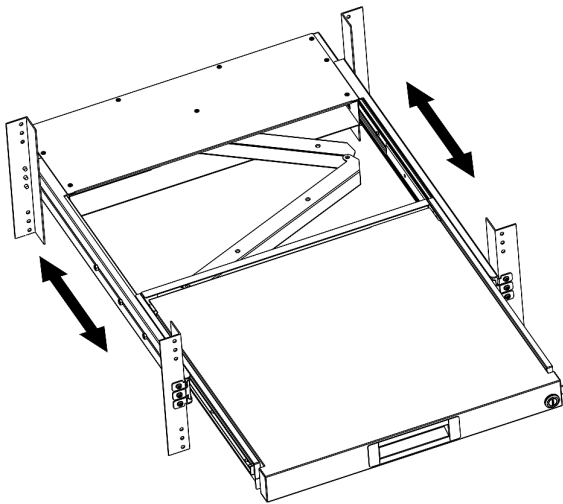
3. Slide the LED KVM Console between the brackets.



4. Fasten the LED KVM Console to the rack.



The diagram below illustrates how the LED KVM Console moves between the brackets.



## Connecting a Server or KVM Switch

The LED KVM Console can be connected to either a KVM (keyboard/video/mouse) switch or a server.

You must always use the Raritan-provided KVM combo cable to make the connection.

A DVI cable is required if the server's or KVM switch's video port is a DVI port, or if you prefer using the DVI port.

## Connections via VGA and USB or PS/2

You can make a connection to any *VGA-based* server or KVM switch via VGA and USB or PS/2.

Do NOT connect both USB and PS/2 connectors simultaneously.

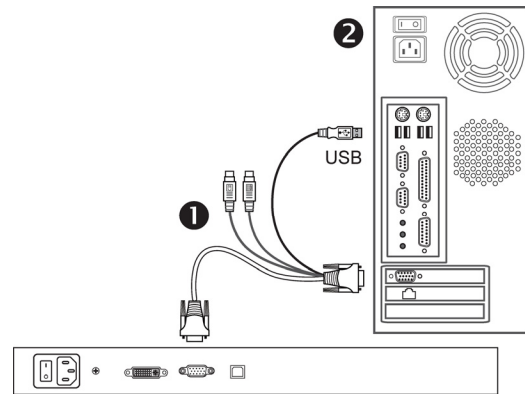
Do NOT use a USB-A to USB-B cable for the keyboard and touchpad of the LED KVM Console.

If connecting Raritan's MCCAT28/216 KVM switch, the LED KVM Console only supports the PS/2 connection.

**Warning:** Raritan's MasterConsole II (MCC) KVM switch is NOT supported so do not connect any MCC device to it.

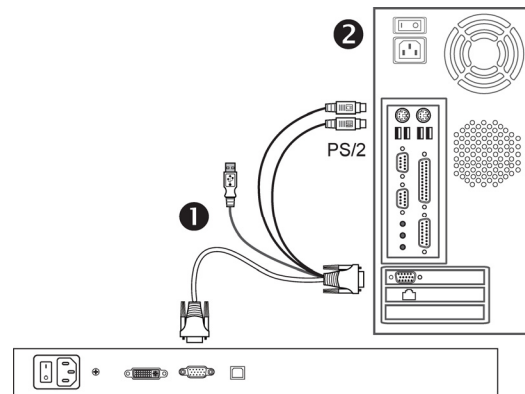
### ▶ Server - VGA and USB connection

1	KVM combo cable
2	VGA-based server



T1700-LED / T1900-LED

### ▶ Server - VGA and PS/2 connection

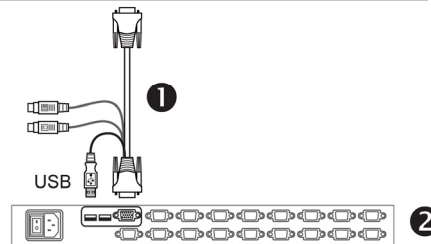


T1700-LED / T1900-LED

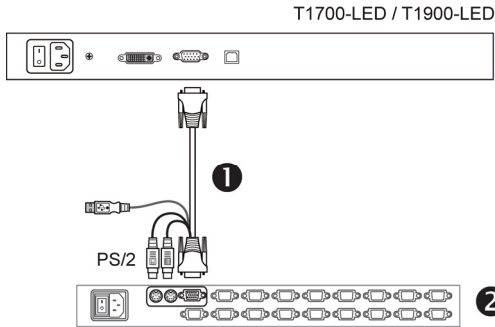
### ▶ KVM switch - VGA and USB connection

1	KVM combo cable
2	VGA-based KVM switch

T1700-LED / T1900-LED



## ▶ KVM switch - VGA and PS/2 connection



## Connections via DVI and USB or PS/2

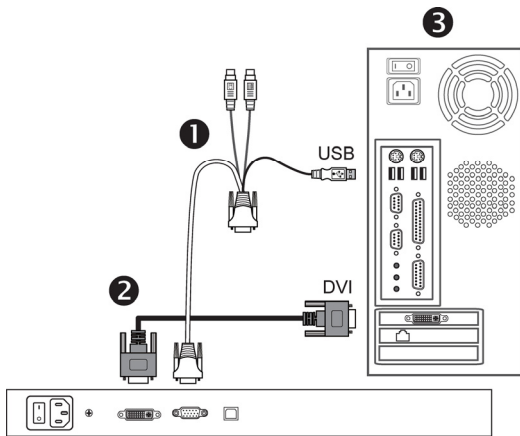
You can make a connection to a *DVI-based* server or KVM switch, such as Raritan's Dominion KX III KVM switch, via a combination of DVI and USB or PS/2 interface.

Do NOT connect both USB and PS/2 connectors simultaneously.

Do NOT use a USB-A to USB-B cable for the keyboard and touchpad of the LED KVM Console.

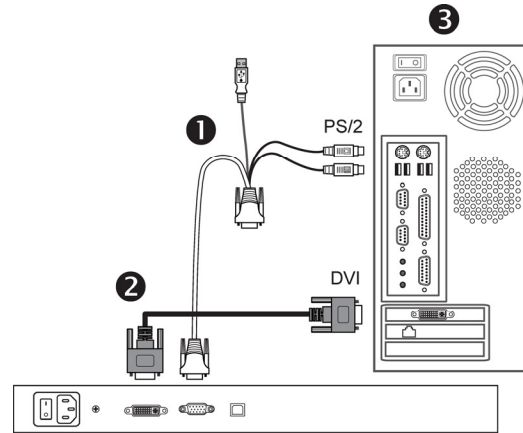
## ▶ Server - DVI and USB connection

①	KVM combo cable
②	DVI cable
③	DVI-based server



T1700-LED / T1900-LED

## ▶ Server - DVI and PS/2 connection

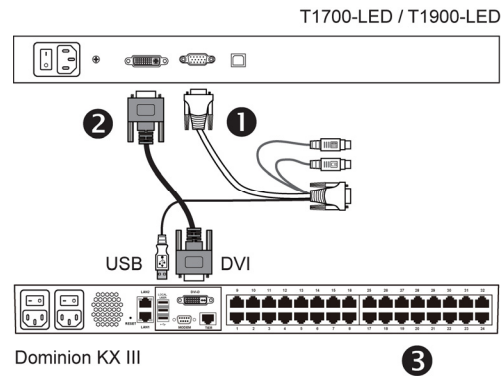


T1700-LED / T1900-LED

Tip: If both DVI and VGA ports are available on the server, you may make connections to both ports, and then press the DOWN/SOURCE button to switch between different video sources.

## ▶ KX III KVM switch - DVI and USB connection

①	KVM combo cable
②	DVI cable
③	KX III or any DVI-based KVM switch with USB ports

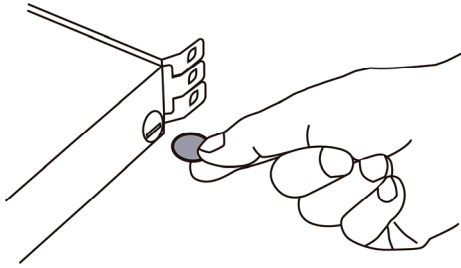


Note: If your DVI-based KVM switch provides only PS/2 ports, connect PS/2 rather than the USB connector of the KVM combo cable to the KVM switch.

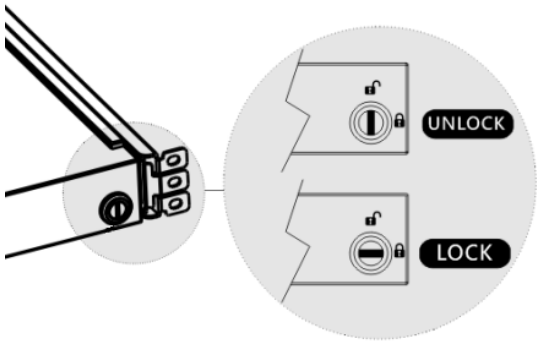
## Locking or Unlocking the LED KVM Console

The LED KVM Console has a lock to the right side. When locked, you cannot draw this product out of the rack.

Use the drawer key or a coin-shaped object to turn the lock.



- To unlock this product, turn the lock counterclockwise.
- To lock this product, turn the lock clockwise.



## Adjusting the Video Settings

The OSD menu controls the video quality. Use the buttons on the LCD panel to fine tune the LCD display settings.

### ▶ To auto tune the LCD display:

1. If the integrated LCD panel is not switched on, press POWER.
2. Press UP/AUTO. An "Auto Adjusting" message appears, indicating that video settings are being fine tuned.

### ▶ To manually fine tune the LCD display:

1. Press MENU. The OSD menu appears.
2. Press UP/AUTO and DOWN/SOURCE to select the desired setting or option.
3. Press MENU to confirm your selection or changes.
4. After making necessary changes, press EXIT to quit the current setting page or close the OSD menu.

## Additional Information

For more information about the LED KVM Console and the entire Raritan product line, see Raritan's website ([www.raritan.com](http://www.raritan.com)). For technical issues, contact Raritan Technical Support. See the Contact Support page in the Support section on Raritan's website for technical support contact information worldwide.