

## PM Series Power Meter

### Safety Information

#### DANGER!

#### HAZARD OF ELECTRIC SHOCK, EXPLOSION, OR ARC FLASH

Follow safe electrical work practices. See NFPA 70E in the USA, or applicable local codes.

This equipment must only be installed and serviced by qualified electrical personnel.

Read, understand and follow the instructions before installing this product.

Turn off all power supplying equipment before working on or inside the equipment.

Any covers that may be displaced during the installation must be reinstalled before powering the unit.

Use a properly rated voltage sensing device to confirm power is off.

**DO NOT DEPEND ON THIS PRODUCT FOR VOLTAGE INDICATION**

**Failure to follow these instructions will result in death or serious injury.**

---

#### NOTICE

This product is not intended for life or safety applications.

Do not install this product in hazardous or classified locations.

The installer is responsible for conformance to all applicable codes.

Mount this product inside a suitable fire and electrical enclosure.

---

#### CAUTION

#### RISK OF EQUIPMENT DAMAGE

This product is designed only for use with 0.33V output current transducers (CTs).

**DO NOT USE CURRENT OUTPUT (e.g. 5A) CTs ON THIS PRODUCT.**

Failure to follow these instructions can result in overheating and permanent equipment damage.

For use in a Pollution Degree 2 or better environment only. A Pollution Degree 2 environment must control conductive pollution and the possibility of condensation or high humidity. Consider the enclosure, the correct use of ventilation, thermal properties of the equipment, and the relationship with the environment. Installation category: CAT II or CAT III

Provide a disconnect device to disconnect the meter from the supply source. Place this device in close proximity to the equipment and within easy reach of the operator, and mark it as the disconnecting device. The disconnecting device shall meet the relevant requirements of IEC 60947-1 and IEC 60947-3 and shall be suitable for the application. Disconnecting fuse holders can be used in the USA and Canada. Provide overcurrent protection and disconnecting device for supply conductors with approved current limiting devices suitable for protecting the wiring.

If the equipment is used in a manner not specified by the manufacturer, the protection provided by the device may be impaired.



This symbol indicates an electrical shock hazard exists.



Documentation must be consulted where this symbol is used on the product.

### Equipment Maintenance and Service

**WARNING!** This equipment must only be installed by qualified electrical personnel. This product contains no user serviceable parts. Do not open, alter or disassemble this product. All repairs and servicing must be performed by Raritan authorized service personnel. Failure to comply with this warning may result in electric shock, personal injury and death.

#### Raritan

400 Cottontail Lane, Somerset, NJ 08873 USA

## Product Overview - PM Series Power Meters

Raritan PM series power meters is a modular power metering solution comprising three components.

PMM: a 3-phase power meter with neutral and earth current monitoring.

PMB: a 96 channel branch circuit monitor that plugs into PMM. A PMM+PMB monitors a panel board mains and branch circuit.

PMC: power meter controller. One PMC controls up to 70 PMM or 8 PMM+PMB. Interconnection uses standard shielded CAT-5 cable. All modules receive redundant power and continue to function as long as one or more PMM remain powered.

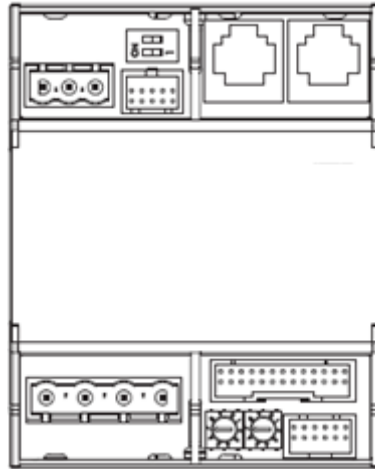
Raritan PM series power meters are designed for ease of use:

CTs are available in various ratings and contain built-in burden resistors so they can be snapped onto live wires without damage.

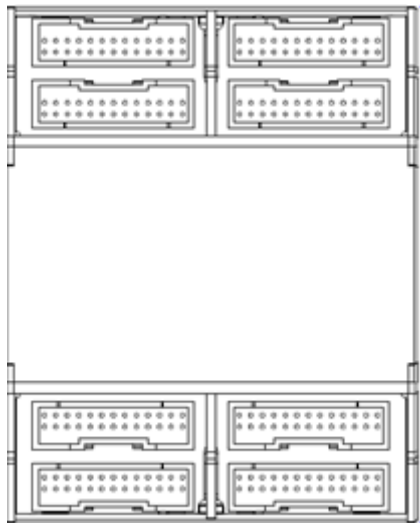
CT orientation is not critical because meter auto-corrects polarity for any CT installed backwards.

CT connections are made close to branch circuits using multi-conductor wiring harnesses with individual CT wire-pairs labeled and terminated with a keyed connector.

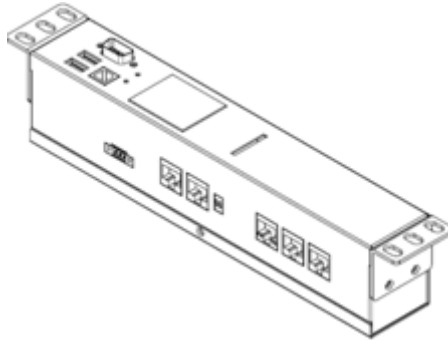
**PMM**



**PMB**



**PMC**



**Product Specification**

**Voltage Measurement Inputs:**

Input Range*	90-277VLN, 156-480VLL
Phase to Ground*	277V
Measurement Category	CAT III, Pollution Level 2
Frequency	47-63 Hz
Input Impedance	10MΩ

\*Ratings for models with field wiring terminals. For models with factory installed line-cords, rating is limited by plug and ratings are labeled on back on unit.

**Current Measurement Inputs:**

Input Range	0-400mV
Input Impedance	10k
CT Type	Voltage Output = 333mV at rated current
CT Rated Current	1-1200A

**Meter Measurement Accuracy:**

Active Power & Energy	0.5%: IEC 62053 Class .5, EN 50470-3 Class C
Reactive Power & Energy	2%

RMS Voltage & Current	0.2%
Frequency	0.1%
Sample Rate	64x AC frequency (phase locked)
Measurement Update Rate	3 seconds: IEC 61000-4-30 Class S

## Power Requirements:

Voltage	90-240V
Current	0.2A
Overvoltage Category	CAT III, Pollution Level 2
Frequency	47-63 Hz

## Mechanical:

Terminal Block Screw Torque	0.37 ft-lb (0.5Nm) to 0.44 ft-lb (0.6Nm)
Terminal Block Wire Size	14-24AWG (.5-1.6mm)
Terminal Wire Temperature Rating	> 75 degree C
DIN Rail	T35 (35mm)

## Environmental:

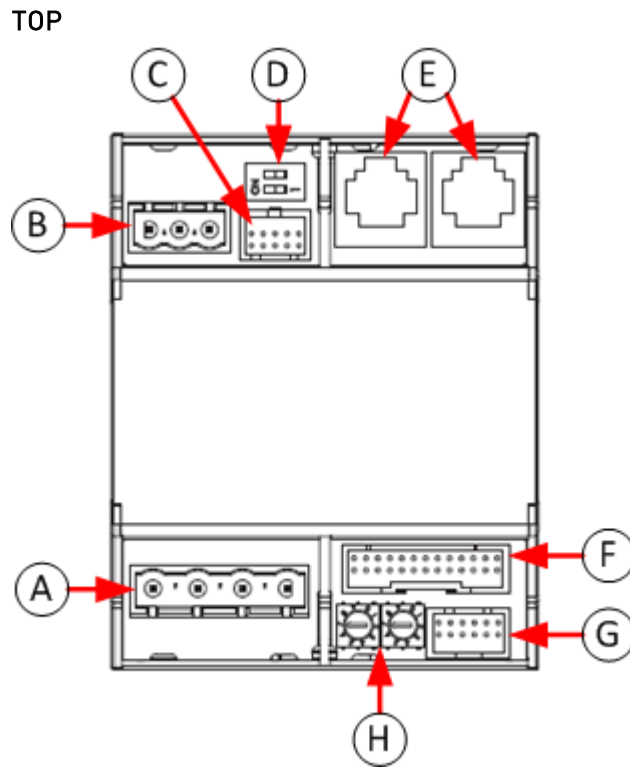
Operating Temperature	0-60°C
Operating Humidity	5-85%RH
Operating Elevation	0-3000m

## Conformance:

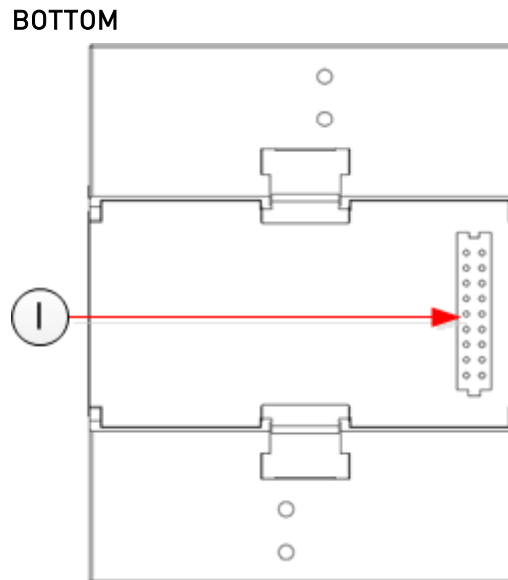
Safety	UL/EN 61010-1
EMC/EMI	EN61326-1, FCC Part 15 Class A

## Power Meter (PMM) Connectors and Controls

- (A) Voltage measurement.
- (B) Power
- (C) Factory use (do not connect)
- (D) Meter Bus Terminator Switch.
- (E) Meter Bus Connectors. Connects PMM to controller.
- (F) Factory use (do not connect)
- (G) Multi-conductor cable CT ABCNE connector.
- (H) Meter ID configuration switch.



- (I) Expansion port. Connects PMM to PMB

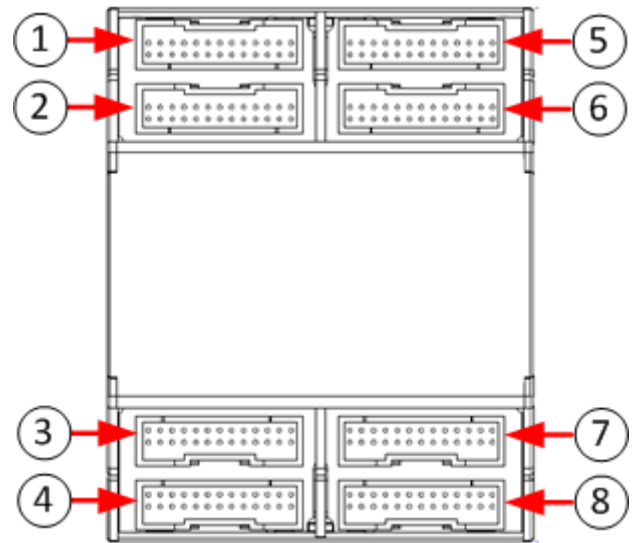


## Power Meter Branch Monitor (PMB) Connectors

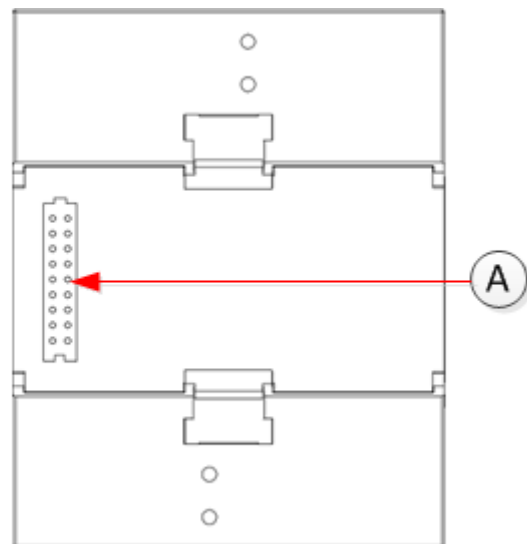
- ① Multi-conductor cable CT 1 connector.
- ② Multi-conductor cable CT 2 connector.
- ③ Multi-conductor cable CT 3 connector.
- ④ Multi-conductor cable CT 4 connector.
- ⑤ Multi-conductor cable CT 5 connector.
- ⑥ Multi-conductor cable CT 6 connector.
- ⑦ Multi-conductor cable CT 7 connector.
- ⑧ Multi-conductor cable CT 8 connector.

- Ⓐ Expansion port. Connects PMB to PMM.

TOP

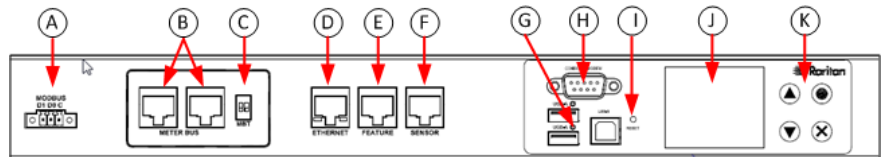


BOTTOM



## Power Meter Controller (PMC) iX6

- (A)** MODBUS RTU isolated RS-485
- (B)** Meter bus connector (to PMM)
- (C)** Meter bus terminator switch
- (D)** 10/100 base-t Ethernet.
- (E)** Feature port (Raritan asset strip)
- (F)** Sensor port (temperature, humidity, etc.)
- (G)** USB A & B (flash drives, WIFI, serial port)
- (H)** RS-232 (terminal CLI, modem)
- (I)** Pin-hole access reset button
- (J)** LCD (meter readings, settings, configuration)
- (K)** Keypad



## DIN Rail Mounting PMM + PMB

(A)

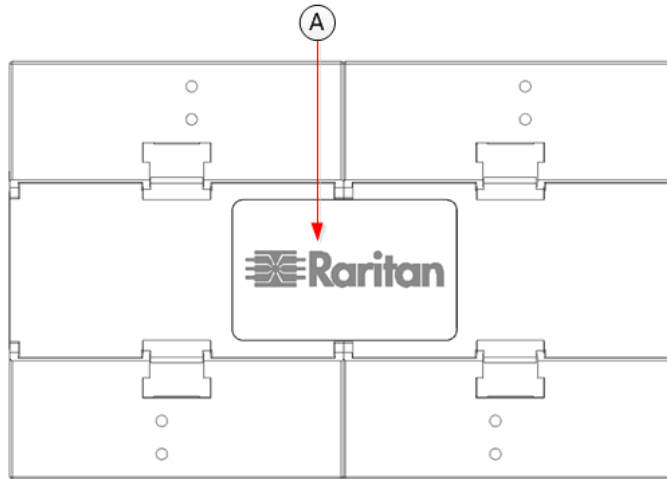
Expansion Connector supplied with PMB.



**Do not hot-plug the Expansion Port! PMM and PMB must be disconnected from all power source before plugging Expansion Port.**

Snap Expansion Connector to Expansion Ports on bottoms of PMM and PMB.

### BOTTOM



(B)

35mm DIN rail

(C)

PMM

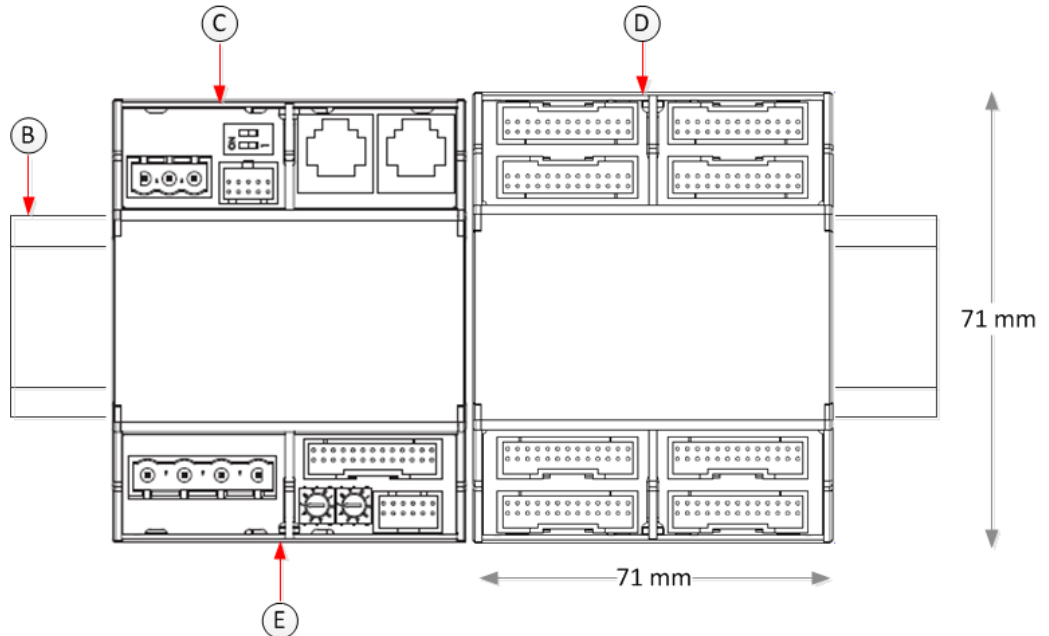
(D)

PMB

(E)

Modules snap into rail. Pull white tab here to remove.

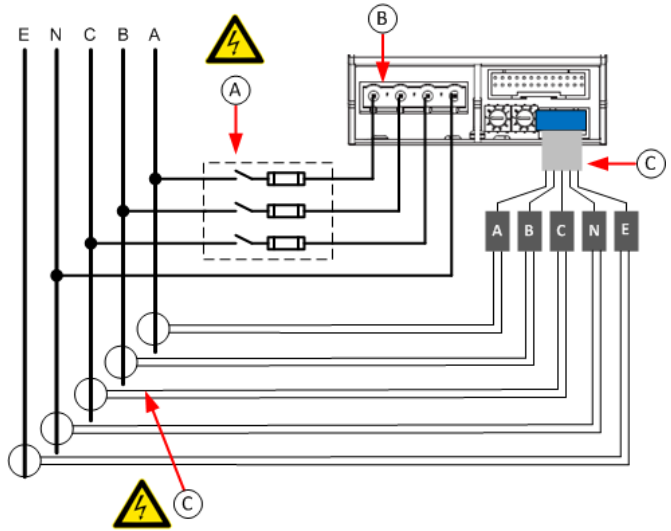
### TOP





## Voltage and Current Measurement Wiring

- (A)** Protect phase lines with fused disconnects rated for available short circuit current at connection point.
- (B)** All wiring: 14-22 AWG, 75°C, solid or stranded. Do not solder tin wire ends.
- (C)** All CT: 333mV output at rated current. Do not use current output CT. CTs can be connected to live circuits. Connect CT in either direction.



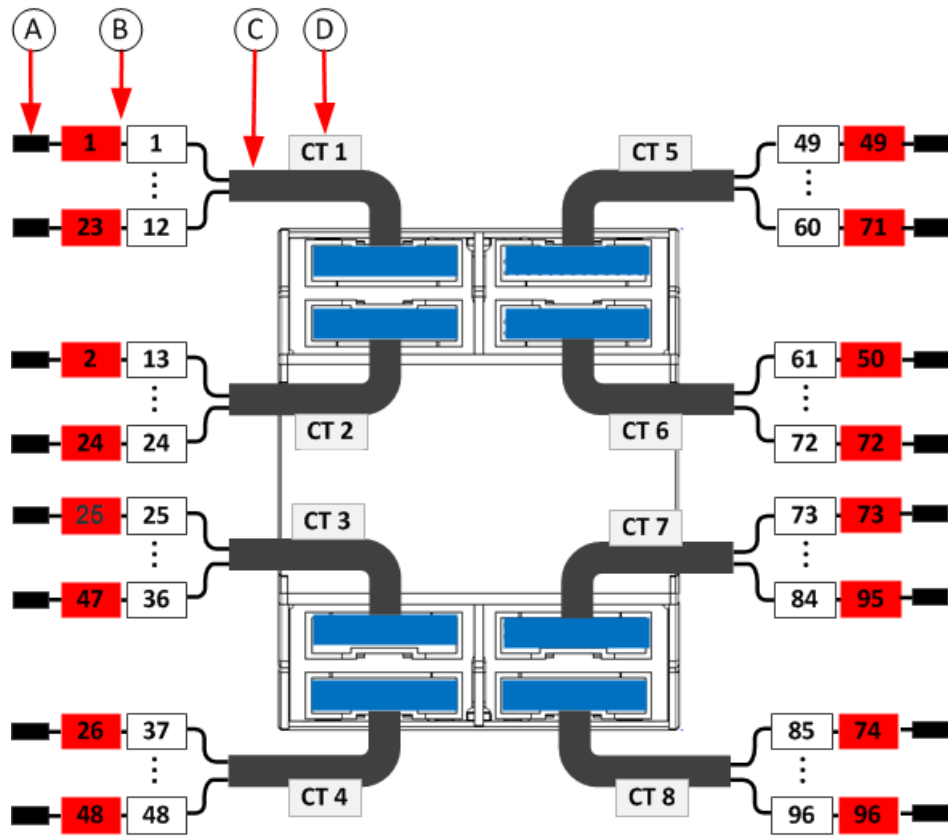
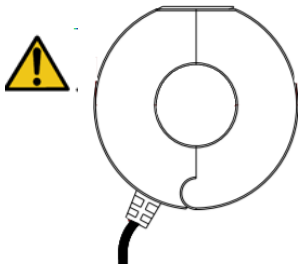
Circuit Type	Circuit Description	Wiring Connections						
		Voltage				CT		
		A	B	C	N	A	B	C
Single-Phase	L-N (120V, 230V, 240V)	X			X	X		
	L-L (208V, 400V)	X	X			X		
Split-Phase	North American 120/240V Panel, 2L+N circuit	X	X		X	X	X	
Three-Phase	3L, 3-phase without neutral	X	X	X		X	X	X
	3L+N, 3-phase with neutral	X	X	X	X	X	X	X

## PMB Branch Circuit Wiring

- (A)** CT plugs into 2-pin locking connector (Molex 43640-0201)
- (B)** Branch Circuits have two labels: Red labels for odd/even numbered panels. White labels for sequentially numbered panels.
- (C)** Multi-conductor CT cable. Available lengths: 3m, 10m.
- (D)** Connect labeled end into matching labeled connector

All CTs 333mV output. DO NOT use current output CT.

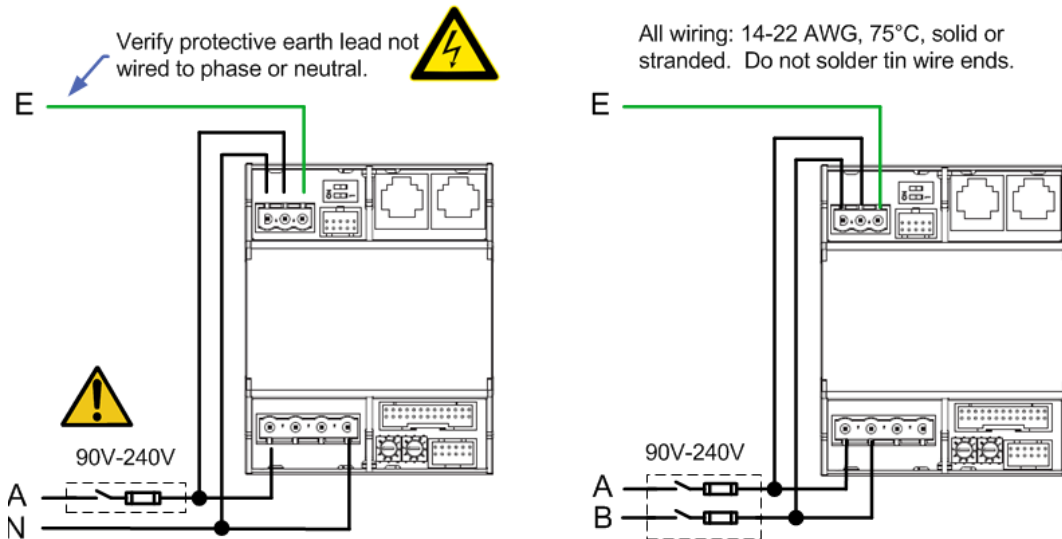
CT can be connected to live circuit in either direction. Meter auto corrects polarity.



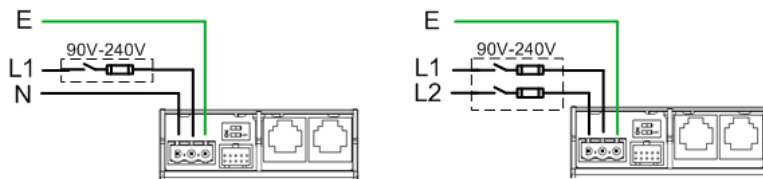
Branch Circuit	Description	Current Transformers	
		How Many	Connect To
Line-Neutral (LN)	120V/230V circuit wired to 1-pole circuit breaker	1	phase line
Line-Line (LL)	208/240/400V circuit wired to 2-pole circuit breaker	1	either phase line
Line-Line-Neutral (LLN)	120V+208/240V circuit wired to 2-pole circuit breaker	2	each phase line
Three-Phase (LLL, LLLN)	3-phase circuit wired to 3-pole circuit breaker	3	each phase line

## PMM Power Wiring

PMM can be powered from the voltage measurement inputs or from an auxiliary AC power source. Powering from the voltage measurement inputs minimizes circuitry, but the meter may stop functioning if the voltage turns off.

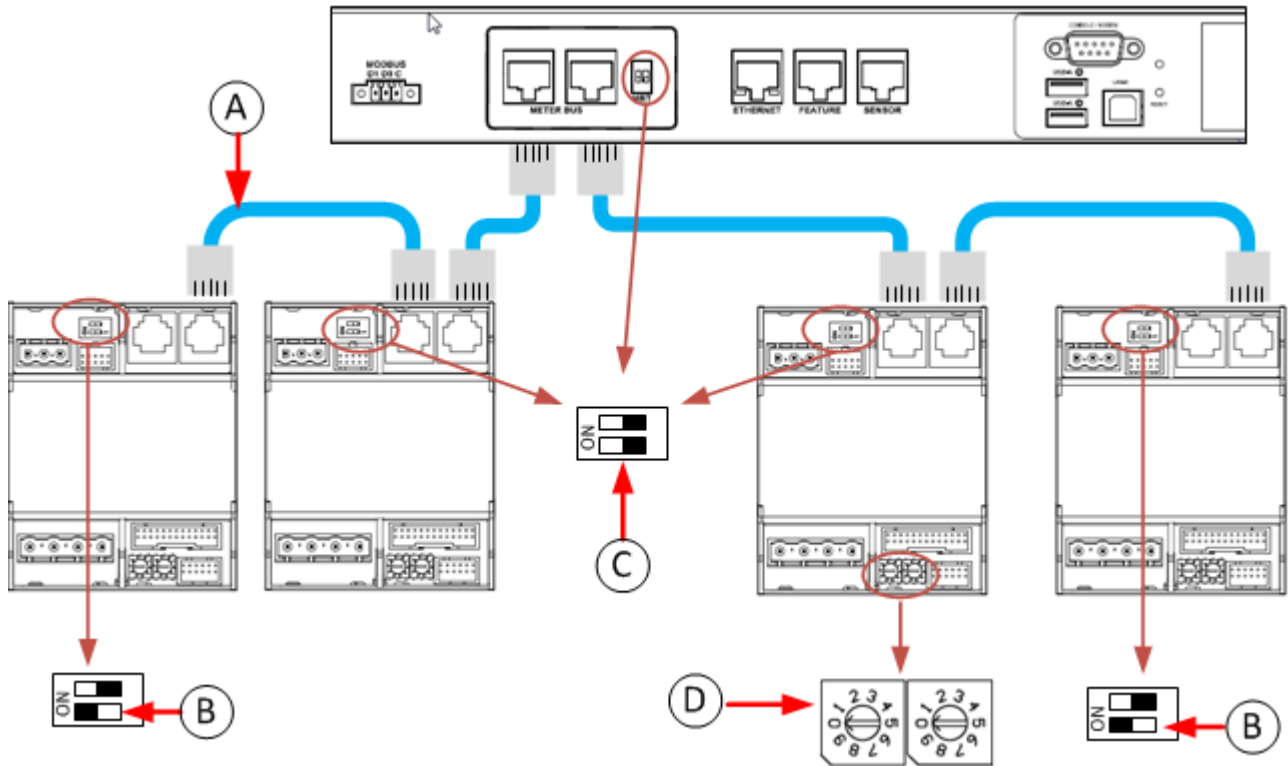


Powering from an auxiliary single phase circuit is required when the voltage measurement circuit exceeds 240V, or when continued operation is required if the voltage measurement inputs turn off.



## Controller Wiring to Meters

Up to seventy 3-phase power meters (PMM) and eight branch circuit meters (PMM+PMB) are daisy-chain wired to a single controller (PMC) using shielded cat 5 Ethernet cable. The wiring order of the modules and controller is not important.

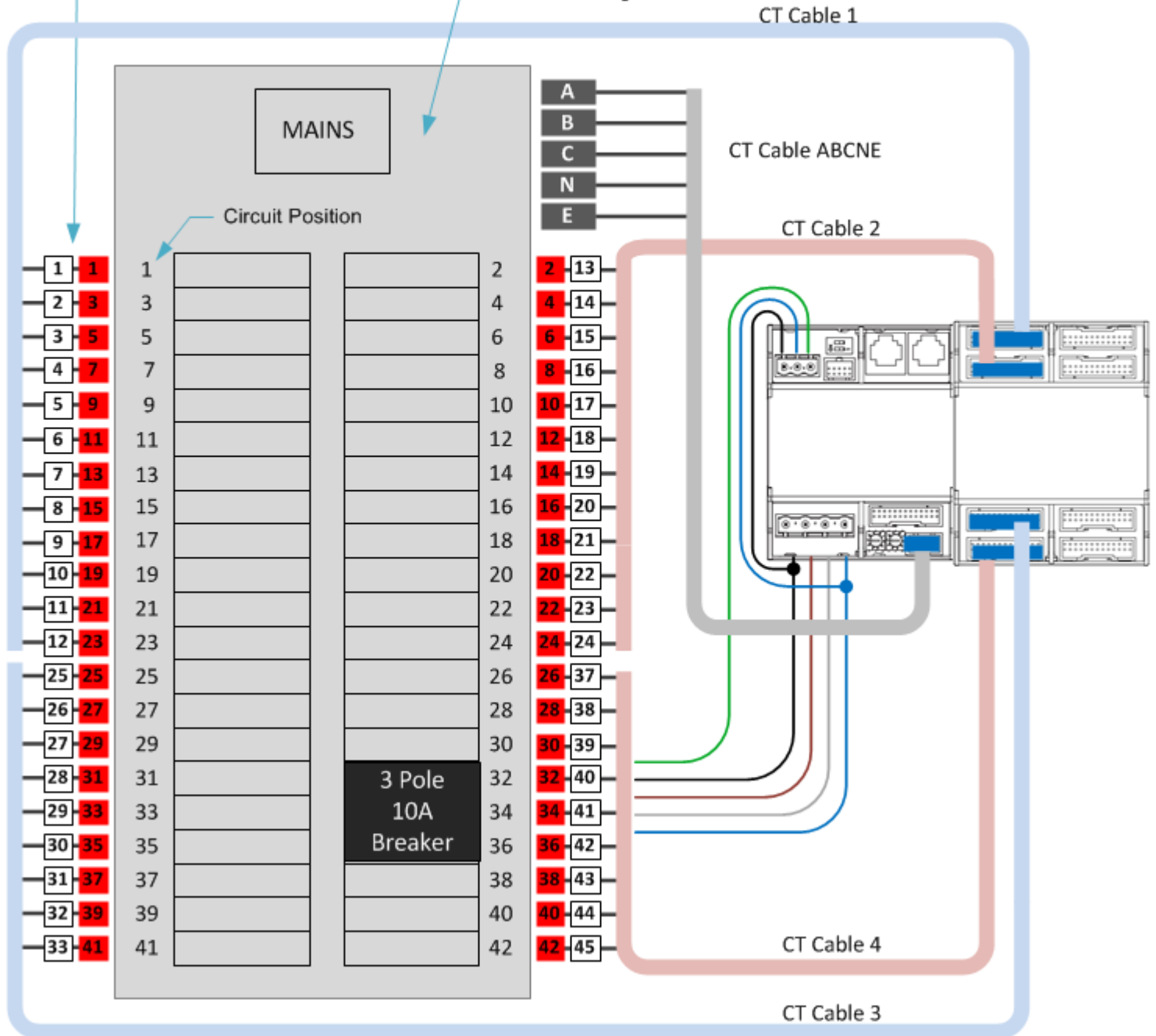


- A** All cables shielded Cat-5, each cable:100m max. length.
- B** Switch MBT (terminator) ON for devices at ends of daisy chain.
- C** Switch MBT OFF for devices in middle of daisy chain.
- D** Assign each meter unique ID:  
 01-70: PMM without PMB  
 01-08: PMM with PMB

## Panel Layout

Two Labels On Each CT Connector  
 Red: Odd/Even Panel Numbering  
 White: Sequential Panel Numbering

Panel Configuration  
 Positions: 42  
 Layout: 2 column  
 Numbering: Odd/Even



## Login and Configuration

Connect your PC directly to the PMM to complete the initial configuration.

▶ **To access the web interface at the rack:**

1. Disable the wireless interface of the PC.
2. Connect a cat 5 cable between the PC and PMM network ports.
3. Open a browser. Enter the URL "https://pdu.local". The login page appears.

---

If the URL does not resolve, use the IP address of the PMC. Retrieve the direct IP address using the LCD display: Menu > Device Information, scroll to the IPV4 settings. Enter the IP address in the web browser: "https://IP address/"

---

4. Login with the default username and password. Allow 30 seconds for first connection.
  - Username: admin
  - Password: raritan

## Configuring Power Meters and Branch Circuit Monitors

You can configure your product with a spreadsheet, or in the product's web interface.

▶ **To configure with a spreadsheet:**

Go to Raritan.com and download the configuration spreadsheet from the BCM2 Support page. Follow the instructions in the spreadsheet.

▶ **To configure with the product web interface:**

Make a network connection to the product. See *Login and Configuration* (on page 13). Follow the instructions in this guide, starting with: Scan Power Meters.

## Configure Using the Web Interface

### Scan Power Meters

- ① Click Power Meters.  
If nothing is configured, scan begins immediately in the Unconfigured Meters section. Click Rescan to refresh the list.
- ② Click the power meter or panel in the discovered list to configure it.  
Types:  
PM: 3-phase  
Panel: BCM
- ③

ID ▲	Type	Name	Rating	Circuits	A Current	B Current	C Current
1	Panel	Panel Mains 1	250 A	3	0.00 A	0.00 A	0.00 A
9	PM	PMM-1	200 A		0.00 A	0.00 A	0.00 A

ID ▲	Type	BCM Channels
2	Panel	96
3	Panel	96
4	Panel	96
5	Panel	96
6	Panel	96
7	Panel	96
8	Panel	96
10	PM	0

### Configure Power Meter (PMM without PMB)

- ① Enter a name.  
Select the circuit type:
- ② Single Phase  
Split Phase  
3-phase
- ③ Enter the mains circuit breaker rating.  
Select the checkbox for each CT installed.
- ④ Enter the CT rating. Ratings are marked on the CT.
- ⑤ Click OK.

The configured power meter displays in the dashboard and Power Meters page.

⌵ Power Meter 9 (PMM-1)
⋮

Settings
⌵

Name

PMM-1

Type

3-Phase

Modbus
⌵

Enable Modbus Access

Modbus Address

Main Circuit
⌵

Circuit Rating	200	A
Phase CT	<input checked="" type="checkbox"/> 60	A
Neutral CT	<input checked="" type="checkbox"/> 200	A
Earth CT	<input checked="" type="checkbox"/> 200	A

✕ Ct ⑤

✓ OK

## Configure Panel Mains Circuit

- 1 Enter a name.
- 2 Select the circuit type:  
Single Phase  
Split Phase  
3-phase
- 3 Enter the number of circuit positions in the panel.  
Select the panel layout: one or two columns.  
Select the circuit position numbering style: sequential or odd/even.
- 4 Enter the current rating (circuit breaker rating) of the circuit.
- 5 Select the checkbox for each CT installed.  
Enter the CT rating. Ratings are marked on the CT.
- 6 Click OK.

### Configuration Panel 1

**Settings**

Name 1

Type 2

**Panel Layout**

Number of Circuit Positions

Panel Layout 3

Circuit Position Numbering

**Modbus**

Enable Modbus Access

Modbus Address

**Main Circuit**

Circuit Rating 4  A

Phase CT   A

Neutral CT 5   A

Earth CT   A

6



## Configure Panel Branch Circuits

- 1 In the Power Meters page, click the panel.

The Panel details page opens.

ID ▲	Type	Name	Rating
1	Panel	Panel Mains 1	250 A
9	PM	PMM-1	200 A

- 2 In the Panel Branch Circuits section, click the circuit position to open the pop-up menu.

Pos	Phase	Name	Rating	CT #	V	A	φ	Pos	Phase	Na
1	A							2	A	
3	B							4	B	
5	C							6	C	
7	A							8	A	

- 3 Click Create Circuit. The Create Circuit dialog opens.

- 5 Enter a name for the circuit.

Select the circuit type: One-Phase LN, One-Phase LL, One-Phase LLN, or Three-Phase. Circuit type cannot be changed later.

- 6

- 7 Enter the current rating of the circuit in Amps.

- 8 Enter the rating of the CT connected at this circuit position in Amps.

- 9 Click the Phase or CT# to edit the automatic labels.

- 10 Click Create.

**Create Circuit at Position**

Name: LN1

Circuit Type: Line-Neutral

Circuit Rating: 10 A

CT Rating: 60 A

Name	Phase	CT # (red label)
1	A	1

Cancel Create

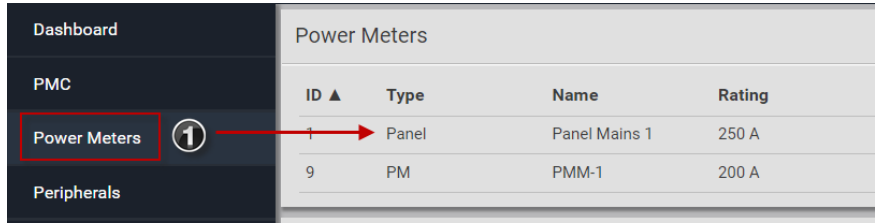
Circuits appear in the list with a black bracket around the circuit positions.

Panel Branch Circuits						
Pos	Phase	Name	Rating	CT #	V	
1	A	Rack 1	20 A	1	0.0 V	[
3	B			3		
5	C			5		
7	A	Rack 3	20 A	7	0.0 V	[
9	B			9		
11	C			11		

### Configure Thresholds

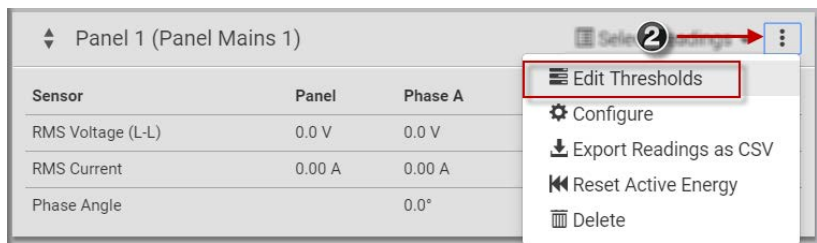
1 In the Power Meters page, click the panel or power meter.

The details page opens.



2 In the details page, click the actions icon, then choose Edit Thresholds.

3 The sensor list displays. Click a sensor to open the Edit Threshold dialog.



4

Select the checkbox for the level, and enter the threshold current in amps. Click OK.

This example shows RMS Current thresholds set for upper warning and critical levels for the circuit max current rating, and a lower warning set for 1 amp.

Sensor	Lower Critical	Lower Warning	Upper Warning	Upper Critical
RMS Voltage	-	-	-	-
A-B RMS Voltage	-	-	-	-
B-C RMS Voltage	-	-	-	-
C-A RMS Voltage	-	-	-	-
A-N RMS Voltage	-	-	-	-
B-N RMS Voltage	-	-	-	-
C-N RMS Voltage	-	-	-	-
Line Frequency	-	-	-	-
<b>RMS Current</b>	-	-	-	-
A RMS Current	-	-	-	-
B RMS Current	-	-	-	-
C RMS Current	-	-	-	-
A Phase Angle	-	-	-	-
B Phase Angle	-	-	-	-
C Phase Angle	-	-	-	-

### Edit Thresholds for RMS Current

Lower Critical  0 A

Lower Warning  1.0 A

Upper Warning  160 A

Upper Critical  180 A

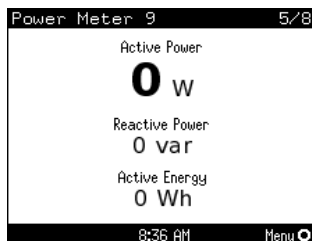
Deassertion Hysteresis 0 A

Assertion Timeout 0 Samples

## Using the PMM's Display

### ▶ Automatic Mode:

The PMM has a display with automatic and manual modes. In automatic mode, the display scrolls through readings.



### ▶ Manual Mode:

In manual mode, you can select readings and settings to view.

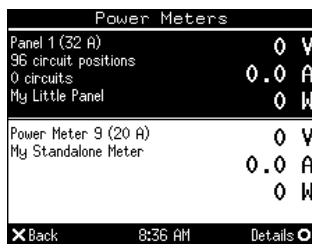
Press or to view the Main Menu.

To return to automatic mode, press once or several times.

Press to choose a menu item. Press to select.



### ▶ Power Meters list



### ▶ Power Meter details

