

Technical Specification

Raritan PX
Model Number: PX2-1085I2U-O1

360-415V 3Ø
24A
15.0-17.3KVA




Line Drawing



Features

| | |
|-------------------------------------|-------------------------------------------------------------------------------------------------------------------------------------------------------------------------------------------------------------------------------|
| Energy Metering | Voltage (V), Current (A), Active Power (kW), Real Power (kVA), Energy (kWh), Power Factor |
| Metering Accuracy | ISO/IEC 62053-21 1% |
| Metering per Input Line | Yes |
| Metering per Branch Circuit Breaker | Yes |
| Metering per Output Receptacle | No |
| Remote Outlet Switching | No |
| Environmental Sensor Ready | Yes |
| Networking | 10/100 BaseT Ethernet. Optional WiFi (802.11a/b/g/n) |
| Remote Management | HTTP(s); SSH; Telnet; RS-232 (Serial); Power IQ; SNMP version v2/v3; SMTP; JSON-RPC |
| Cascading | Yes up to (4) PDUs in a single cabinet can share a single Ethernet connection |
| Onboard Display | 3-digit user-selectable display (can be selected between Manual and Auto Display Mode). Can display Line voltage, Line current, CB Current (if IPDU supports CBs) and Unit active power, and Unbalanced Current percentage |
| Compatible Sensors | Temperature, Humidity, Air Flow, Static Pressure Single cable connection provides temp/humidity monitoring at three points in cabinet (with a single sensor assembly) |

Input

| | |
|-----------------------|-----------------------------------------------------------------------------------------------------------------------------------------------------------------------|
| Input Plug | IEC 60309 3P+N+E 6h 32A 4P5W (L1/L2/L3/N/E) IP44("splashproof") (400V, 3 phase)  |
| Cord Length | 3 meters (9.84 feet) standard |
| Cord Entry | Top-top feed |
| Cable Type | 4P 5W |
| Number of Power Cords | 1 |
| Maximum Input Current | 32A (per line) |
| Rated Input | 24A (per line) (North America) |
| Nominal Input Voltage | 400V, 3 phase |
| Rated Input Voltage | 360 - 415V, 3 phase |
| Input Frequency | 50/60Hz |
| Power Capacity | 15.0kVA at 360V, 17.3kVA at 415V |

Output

| | |
|------------------------|----------------------------------------------------------------------------------------------------------------------------------------------------|
| Nominal Output Voltage | 208V |
| Rated Output Voltage | 208 - 240V |
| Output Connections | a. (36) IEC 60320 C13 2-pole, 3-wire; 12A (regulatory derated from 15A) b. (12) IEC 60320 C19 2-pole, 3-wire; 16A (regulatory derated from 20A) |
| Overload Protection | (6) 20A 1-pole L41-B0-42-620-H22-D3 circuit breaker |
| Cable Retention | Raritan SecureLock™ Ready Optional retention clips are also available |

Physical

| | |
|------------------------|--------------------------------------------|
| Dimensions (W x D x H) | 2.1" x 2.2" x 72.0" ; 52mm x 55mm x 1829mm |
| Color | Black powder coat |
| Mounting | Tool-less button mount |

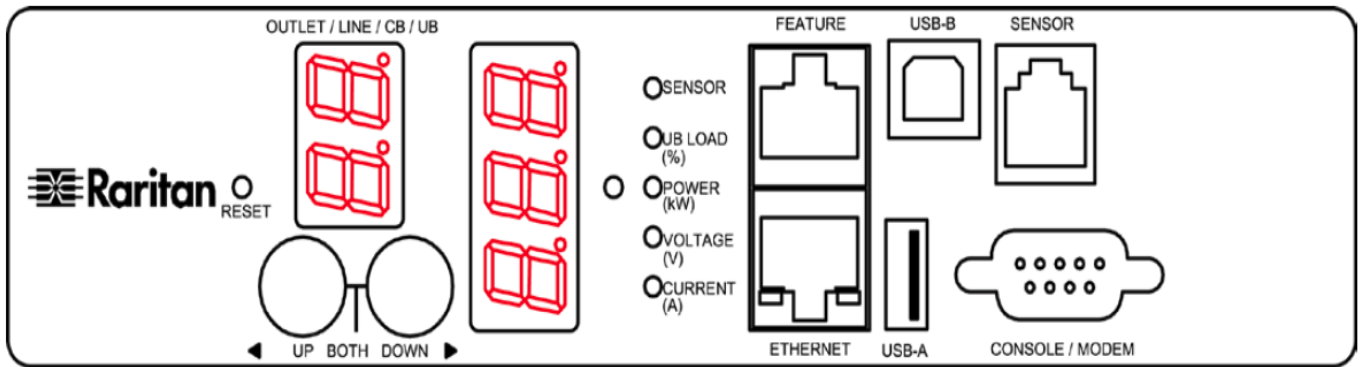
Environmental

| | |
|-----------------------------|-----------------------|
| Operating Environment | 5 - 60°C (41 - 140°F) |
| Operating Relative Humidity | 5-85% |
| Operating Elevation | 0-10000ft |

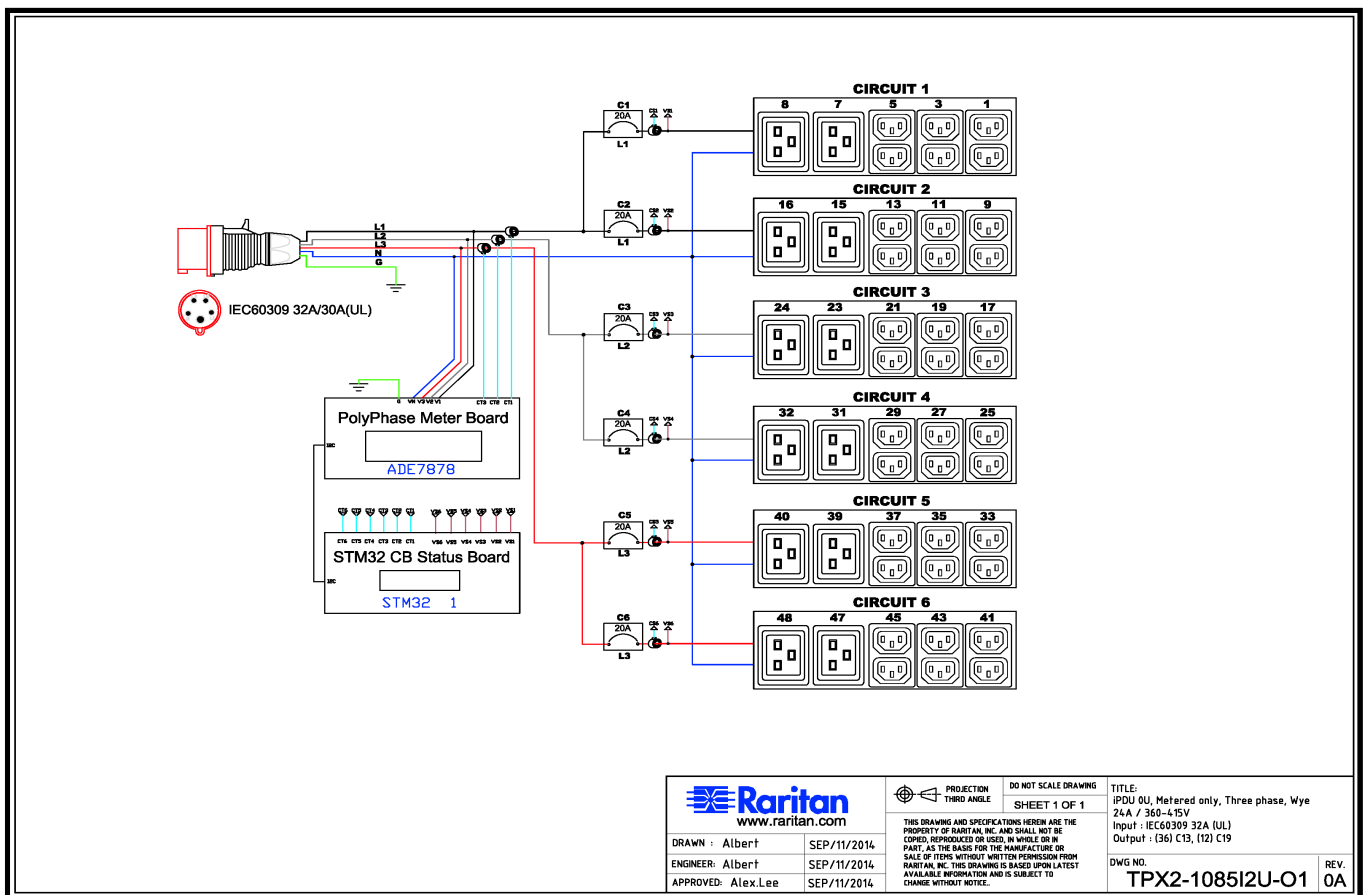
Conformance

| | |
|----------------------|---------------------------------------------------------------------------------------------|
| Regulatory Approvals | UL Listed Canada ICES-003, Class A Part 15 Class A of the FCC rules RoHS compliant |
|----------------------|---------------------------------------------------------------------------------------------|

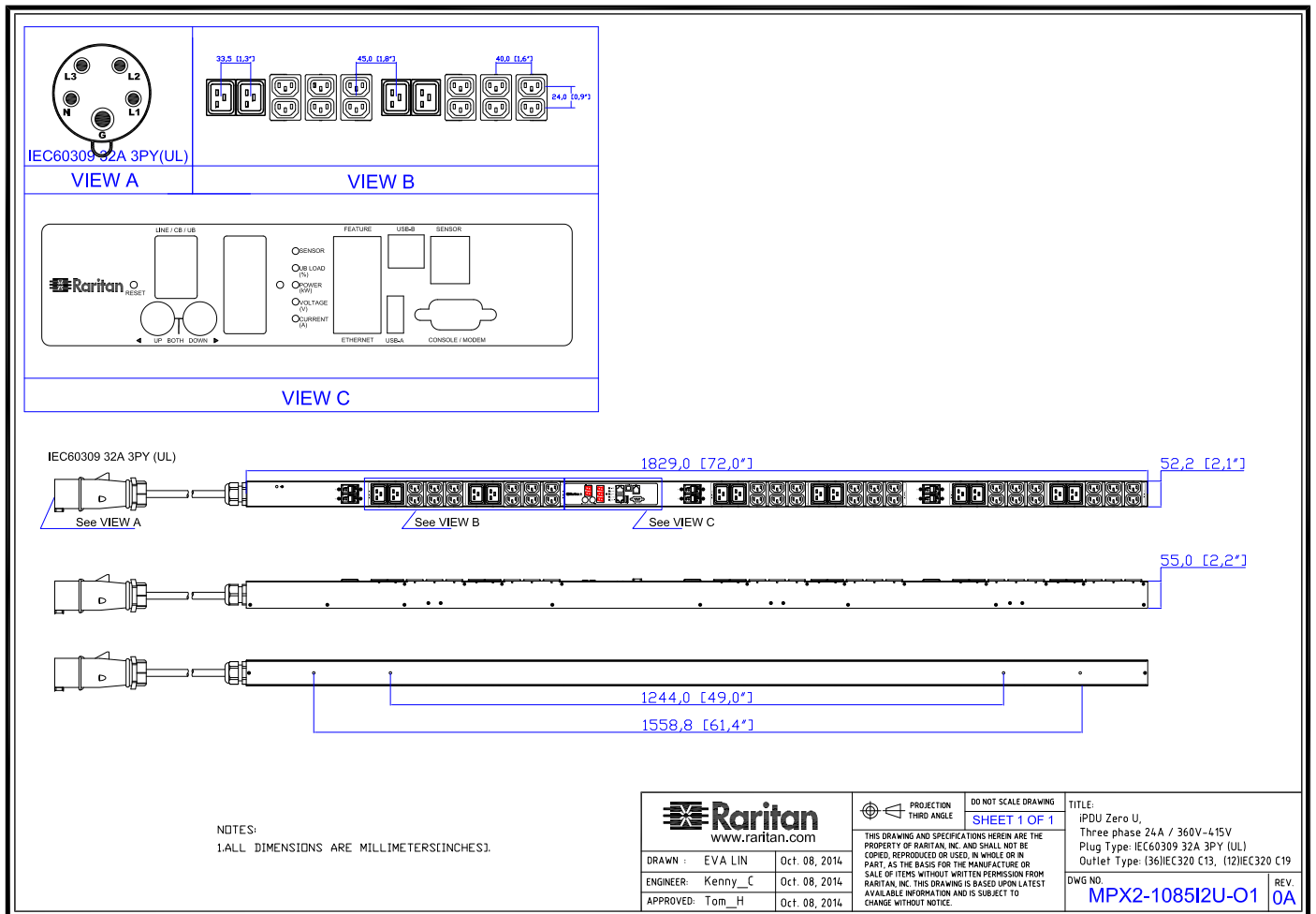
Control Panel Detail



Electrical Drawing Detail



Mechanical Diagram



Compatible Sensors

| | |
|----------------------|--------------------------------------------------------------------------------------------------------------------------------------------------------------------------------------------------------------------------------------------------------------------------------------|
| Environmental | DPX-T1 : single temperature node DPX-T2H2 : 2 nodes: each providing both temp + humidity DPX-T3H1 : 3 temperature nodes; one also with humidity DPX-TDP1 : temperature + differential air pressure DPX-AF1 : air flow sensor DPX-CC2-TR : Dual contact closure sensor |
|----------------------|--------------------------------------------------------------------------------------------------------------------------------------------------------------------------------------------------------------------------------------------------------------------------------------|

©2015 Raritan Inc. All rights reserved. Raritan®, Know More. Manage Smarter.TM, Dominion® and PX® are registered trademarks or trademarks of Raritan Inc. or its wholly owned subsidiaries. All others are registered trademarks or trademarks of their respective owners. For more information, please visit www.raritan.com