

# Technical Specification

Raritan PX  
Model Number: PX2-1495V-E2

200-240V  
24A  
4.8-5.8KVA



## Line Drawing



## Features

Energy Metering	Voltage (V), Current (A), Active Power (kW), Real Power (kVA), Energy (kWh), Power Factor
Metering Accuracy	ISO/IEC 62053-21 1%
Metering per Input Line	Yes
Metering per Branch Circuit Breaker	Yes
Metering per Output Receptacle	No
Remote Outlet Switching	No
Environmental Sensor Ready	Yes
Networking	10/100 BaseT Ethernet. Optional WiFi (802.11a/b/g/n)
Remote Management	HTTP(s); SSH; Telnet; RS-232 (Serial); Power IQ; SNMP version v2/v3; SMTP; JSON-RPC
Cascading	Yes up to (4) PDUs in a single cabinet can share a single Ethernet connection
Onboard Display	3-digit user-selectable display (can be selected between Manual and Auto Display Mode). Can display Line voltage, Line current, CB Current (if IPDU supports CBs) and Unit active power
Compatible Sensors	Temperature, Humidity, Air Flow, Static Pressure Single cable connection provides temp/humidity monitoring at three points in cabinet (with a single sensor assembly)

## Input

Input Plug	NEMA L6-30P IP44("splashproof") (208V, Single phase)	
Cord Length	3 meters (9.84 feet) standard	
Cord Entry	Bottom-bottom feed	
Cable Type	2P 3W	
Number of Power Cords	1	
Maximum Input Current	30A (per line)	
Rated Input	24A (per line) (North America)	
Nominal Input Voltage	208V, Single phase	
Rated Input Voltage	200 - 240V, Single phase	
Input Frequency	50/60Hz	
Power Capacity	4.8kVA at 200V, 5.8kVA at 240V	

## Output

Nominal Output Voltage	208V
Rated Output Voltage	200 - 240V
Output Connections	a. (18) Locking IEC 60320 C13 2-pole, 3-wire; 12A (regulatory derated from 15A) b. (6) Locking IEC 60320 C19 2-pole, 3-wire; 16A (regulatory derated from 20A)
Overload Protection	(2) 20A 2-pole LEGBX66-20 circuit breaker
Cable Retention	Universal locking

## Physical

Dimensions (W x D x H)	2.1" x 2.1" x 60.6" ; 52.2 mm x 53.0 mm x 1539.0 mm
Color	Black powder coat
Mounting	Tool-less button mount

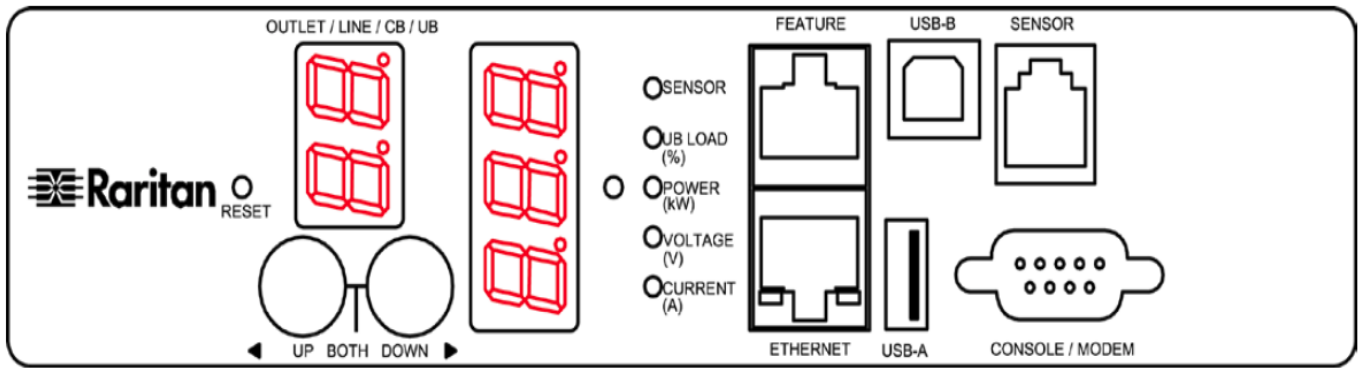
## Environmental

Operating Environment	5 - 60°C (41 - 140°F)
Operating Relative Humidity	5-85%
Operating Elevation	0-10000ft

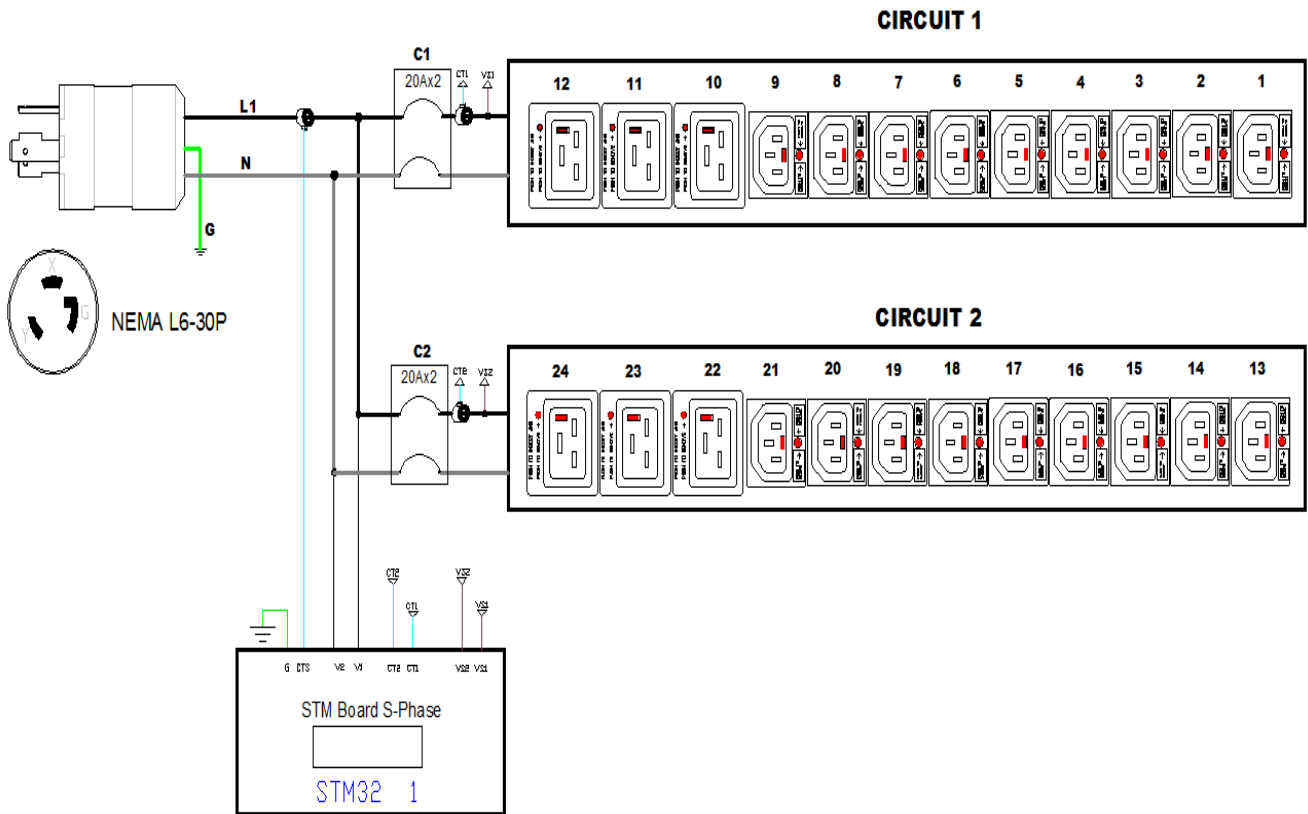
## Conformance

Regulatory Approvals	UL Listed Canada ICES-003, Class A Part 15 Class A of the FCC rules RoHS compliant
----------------------	---

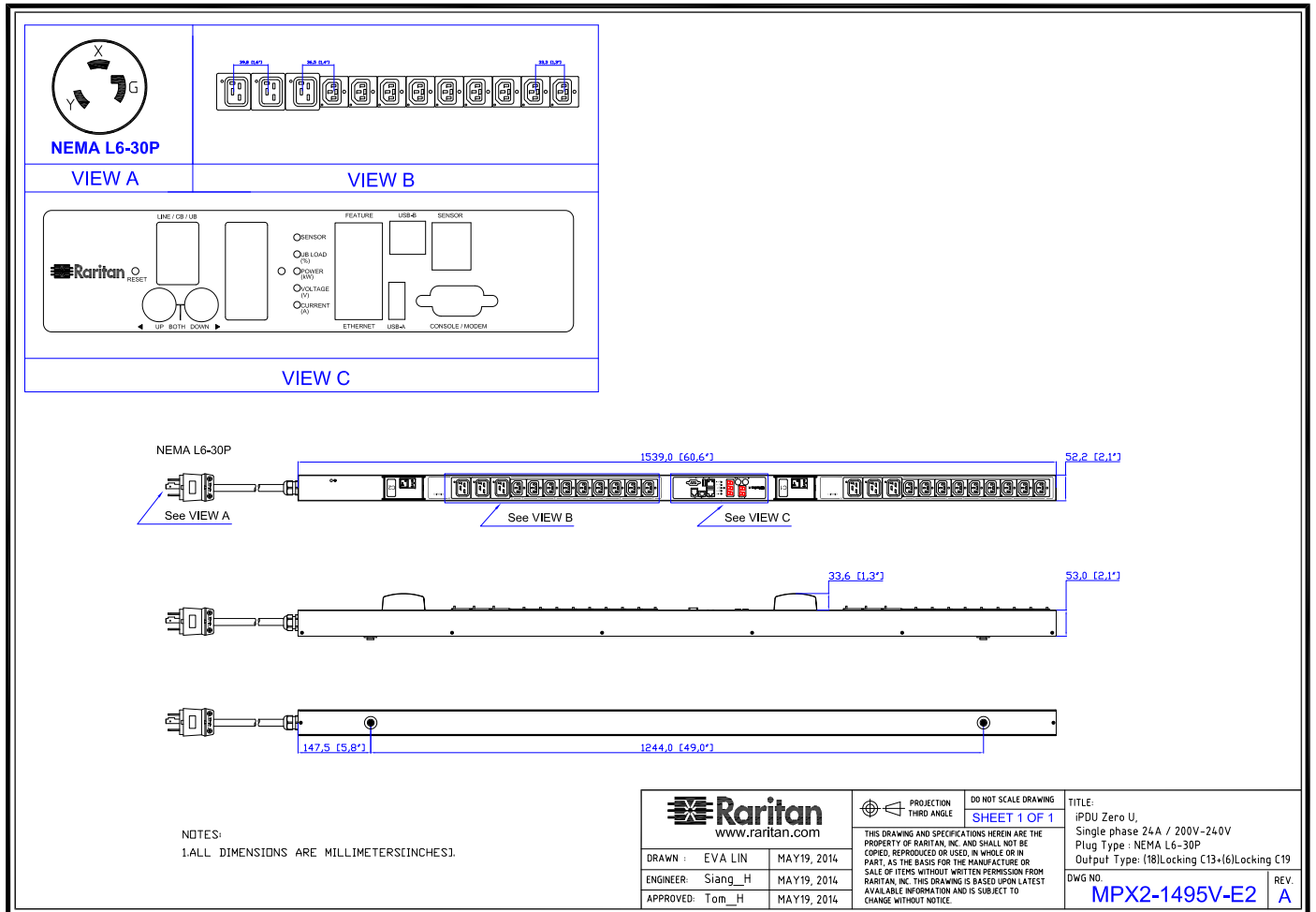
## Control Panel Detail



## Electrical Drawing Detail



# Mechanical Diagram



## Compatible Sensors

Environmental	DPX-T1 : single temperature node DPX-T2H2 : 2 nodes: each providing both temp + humidity DPX-T3H1 : 3 temperature nodes; one also with humidity DPX-TDP1 : temperature + differential air pressure DPX-AF1 : air flow sensor DPX-CC2-TR : Dual contact closure sensor
---------------	--

## Trip Curve of Circuit Breaker



©2015 Raritan Inc. All rights reserved. Raritan®, Know More. Manage Smarter.TM, Dominion® and PX® are registered trademarks or trademarks of Raritan Inc. or its wholly owned subsidiaries. All others are registered trademarks or trademarks of their respective owners. For more information, please visit [www.raritan.com](http://www.raritan.com)