

Technical Specification

Raritan PX
Model Number: PX2-1525V-E2

208-240V 3Ø
24A
8.6-10KVA



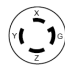
Line Drawing



Features

Energy Metering	Voltage (V), Current (A), Active Power (kW), Real Power (kVA), Energy (kWh), Power Factor
Metering Accuracy	ISO/IEC 62053-21 1%
Metering per Input Line	Yes
Metering per Branch Circuit Breaker	Yes
Metering per Output Receptacle	No
Remote Outlet Switching	No
Environmental Sensor Ready	Yes
Networking	10/100 BaseT Ethernet. Optional WiFi (802.11a/b/g/n)
Remote Management	HTTP(s); SSH; Telnet; RS-232 (Serial); Power IQ; SNMP version v2/v3; SMTP; JSON-RPC
Cascading	Yes up to (4) PDUs in a single cabinet can share a single Ethernet connection
Onboard Display	3-digit user-selectable display (can be selected between Manual and Auto Display Mode). Can display Line voltage, Line current, CB Current (if IPDU supports CBs) and Unit active power, and Unbalanced Current percentage
Compatible Sensors	Temperature, Humidity, Air Flow, Static Pressure Single cable connection provides temp/humidity monitoring at three points in cabinet (with a single sensor assembly)

Input

Input Plug	NEMA L15-30P IP44("splashproof") (208V, 3 phase) 
Cord Length	3 meters (9.84 feet) standard
Cord Entry	Bottom-bottom feed
Cable Type	3P 4W
Number of Power Cords	1
Maximum Input Current	30A (per line)
Rated Input	24A (per line) (North America)
Nominal Input Voltage	208V, 3 phase
Rated Input Voltage	208 - 240V, 3 phase
Input Frequency	50/60Hz
Power Capacity	8.6kVA at 208V, 10.0kVA at 240V

Output

Nominal Output Voltage	208V
Rated Output Voltage	208 - 240V
Output Connections	a. (18) Locking IEC 60320 C13 2-pole, 3-wire; 12A (regulatory derated from 15A) b. (6) Locking IEC 60320 C19 2-pole, 3-wire; 16A (regulatory derated from 20A)
Overload Protection	(3) 20A 2-pole LEGBX66-20 circuit breaker
Cable Retention	Universal locking

Physical

Dimensions (W x D x H)	2.1" x 2.1" x 70.1" ; 52mm x 53mm x 1780mm
Color	Black powder coat
Mounting	Tool-less button mount

Environmental

Operating Environment	5 - 60°C (41 - 140°F)
Operating Relative Humidity	5-85%
Operating Elevation	0-10000ft

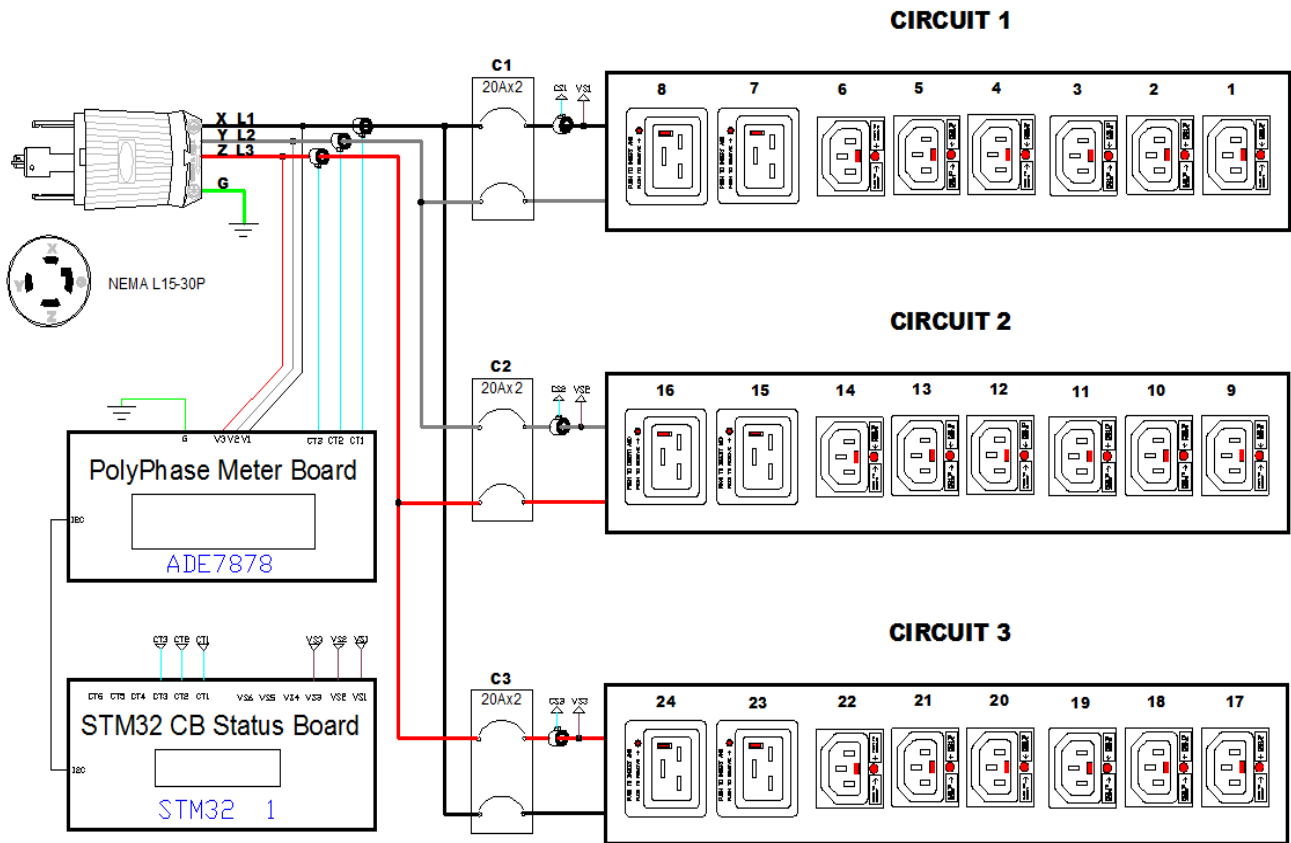
Conformance

Regulatory Approvals	UL Listed Canada ICES-003, Class A Part 15 Class A of the FCC rules RoHS compliant
----------------------	---

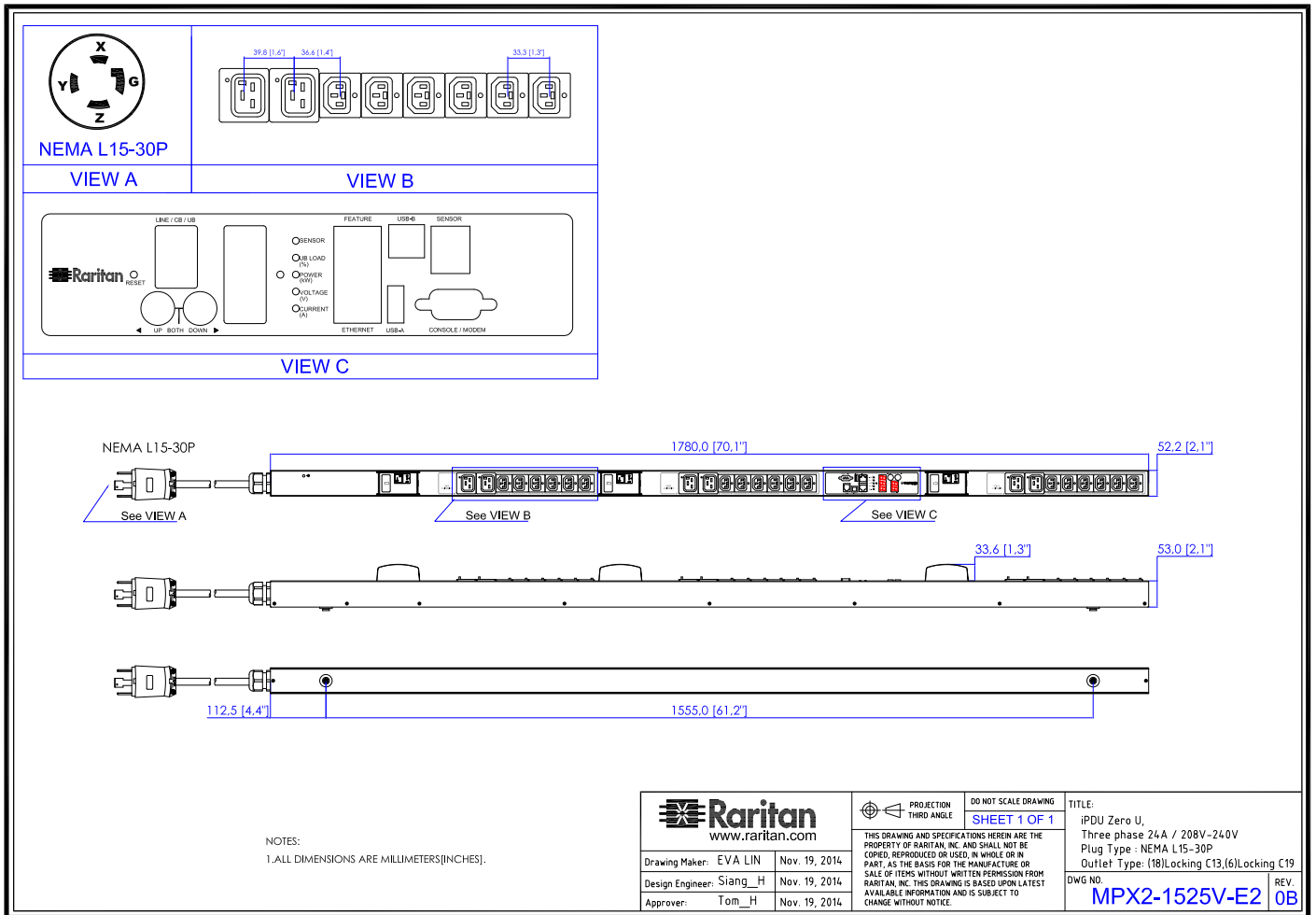
Control Panel Detail



Electrical Drawing Detail



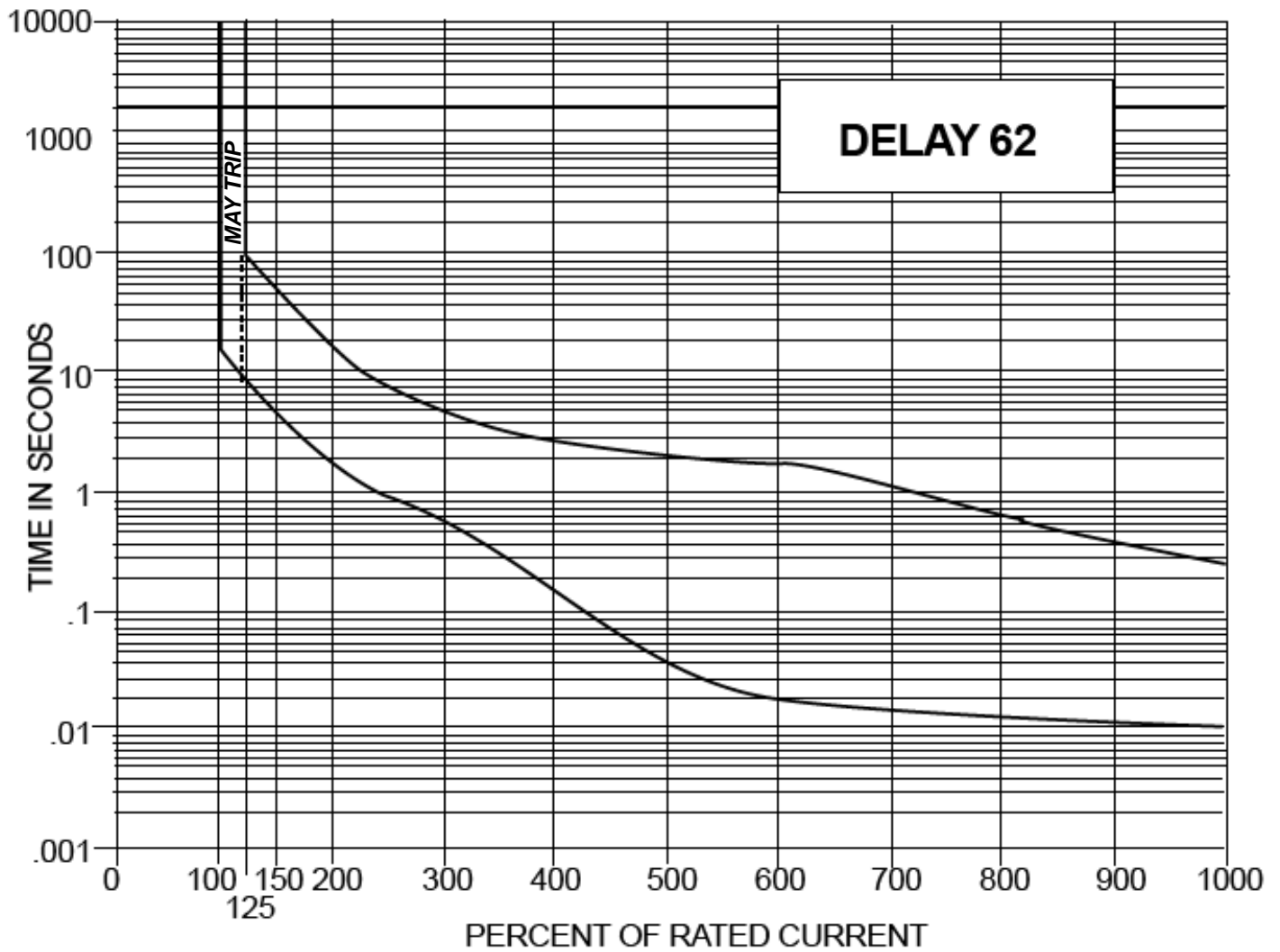
Mechanical Diagram



Compatible Sensors

Environmental	DPX-T1 : single temperature node DPX-T2H2 : 2 nodes: each providing both temp + humidity DPX-T3H1 : 3 temperature nodes; one also with humidity DPX-TDP1 : temperature + differential air pressure DPX-AF1 : air flow sensor DPX-CC2-TR : Dual contact closure sensor
---------------	--

Trip Curve of Circuit Breaker



©2015 Raritan Inc. All rights reserved. Raritan®, Know More. Manage Smarter.TM, Dominion® and PX® are registered trademarks or trademarks of Raritan Inc. or its wholly owned subsidiaries. All others are registered trademarks or trademarks of their respective owners. For more information, please visit www.raritan.com