

# Technical Specification

Raritan PX  
Model Number: PX2-1551V-E2V2

208-240V 3Ø  
48A  
17.3-20.0KVA



## Line Drawing



## Features

|                                     |   |
|-------------------------------------|---|
| Energy Metering                     | Voltage (V), Current (A), Active Power (kW), Real Power (kVA), Energy (kWh), Power Factor   |
| Metering Accuracy                   | ISO/IEC 62053-21 1%   |
| Metering per Input Line             | Yes   |
| Metering per Branch Circuit Breaker | Yes   |
| Metering per Output Receptacle      | No  |
| Remote Outlet Switching             | No  |
| Environmental Sensor Ready          | Yes   |
| Networking                          | 10/100 BaseT Ethernet. Optional WiFi (802.11a/b/g/n)  |
| Remote Management                   | HTTP(s); SSH; Telnet; RS-232 (Serial); Power IQ; SNMP version v2/v3; SMTP; JSON-RPC   |
| Cascading                           | Yes<br>up to (4) PDUs in a single cabinet can share a single Ethernet connection  |
| Onboard Display                     | 3-digit user-selectable display (can be selected between Manual and Auto Display Mode).<br>Can display Line voltage, Line current, CB Current (if IPDU supports CBs) and Unit active power, and Unbalanced Current percentage |
| Compatible Sensors                  | Temperature, Humidity, Air Flow, Static Pressure<br>Single cable connection provides temp/humidity monitoring at three points in cabinet (with a single sensor assembly)  |

## Input

|                       |   |  |
|-----------------------|---|--|
| Input Plug            | IEC 60309 3P+E 9h 60A 3P4W (L1/L2/L3/E)<br>IP67("Watertight") (208V, 3 phase) |  |
| Cord Length           | 3 meters (9.84 feet) standard   |  |
| Cord Entry            | Bottom-bottom feed  |  |
| Cable Type            | 3P 4W   |  |
| Number of Power Cords | 1   |  |
| Maximum Input Current | 60A (per line)  |  |
| Rated Input           | 48A (per line) (North America)  |  |
| Nominal Input Voltage | 208V, 3 phase   |  |
| Rated Input Voltage   | 208 - 240V, 3 phase   |  |
| Input Frequency       | 50/60Hz   |  |
| Power Capacity        | 17.3kVA at 208V, 20.0kVA at 240V  |  |

## Output

|                        |  |
|------------------------|--|
| Nominal Output Voltage | 208V   |
| Rated Output Voltage   | 208 - 240V   |
| Output Connections     | a. (12) Locking IEC 60320 C13 2-pole, 3-wire; 12A (regulatory derated from 15A)<br>b. (12) Locking IEC 60320 C19 2-pole, 3-wire; 16A (regulatory derated from 20A) |
| Overload Protection    | (6) 20A 2-pole LEGBX66-20 circuit breaker  |
| Cable Retention        | Universal locking  |

## Physical

|                        |  |
|------------------------|--|
| Dimensions (W x D x H) | 2.3" x 3.2" x 70.1" ; 59mm x 80mm x 1780mm |
| Color                  | Black powder coat                          |
| Mounting               | G3-RACK-FOR-ZU                             |

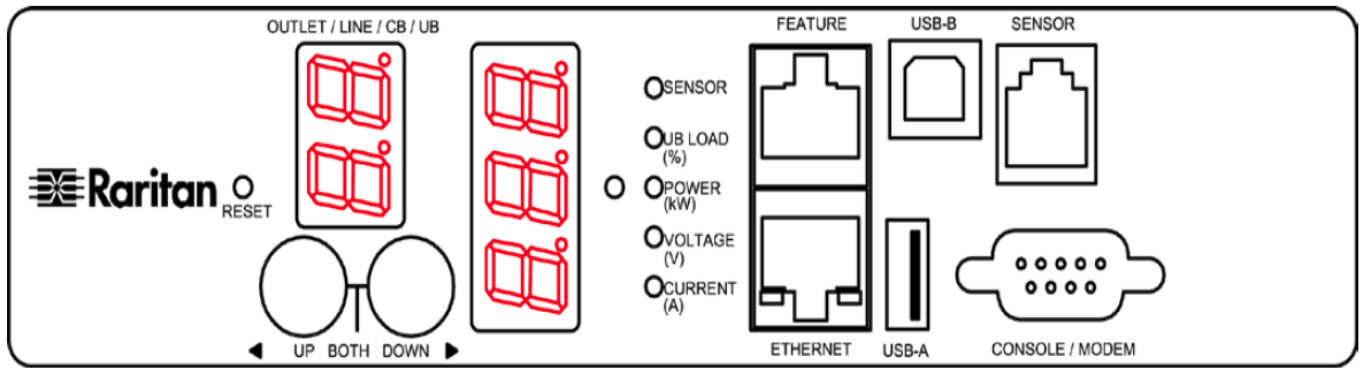
## Environmental

|                             |                       |
|-----------------------------|-----------------------|
| Operating Environment       | 5 - 60°C (41 - 140°F) |
| Operating Relative Humidity | 5-85%                 |
| Operating Elevation         | 0-10000ft             |

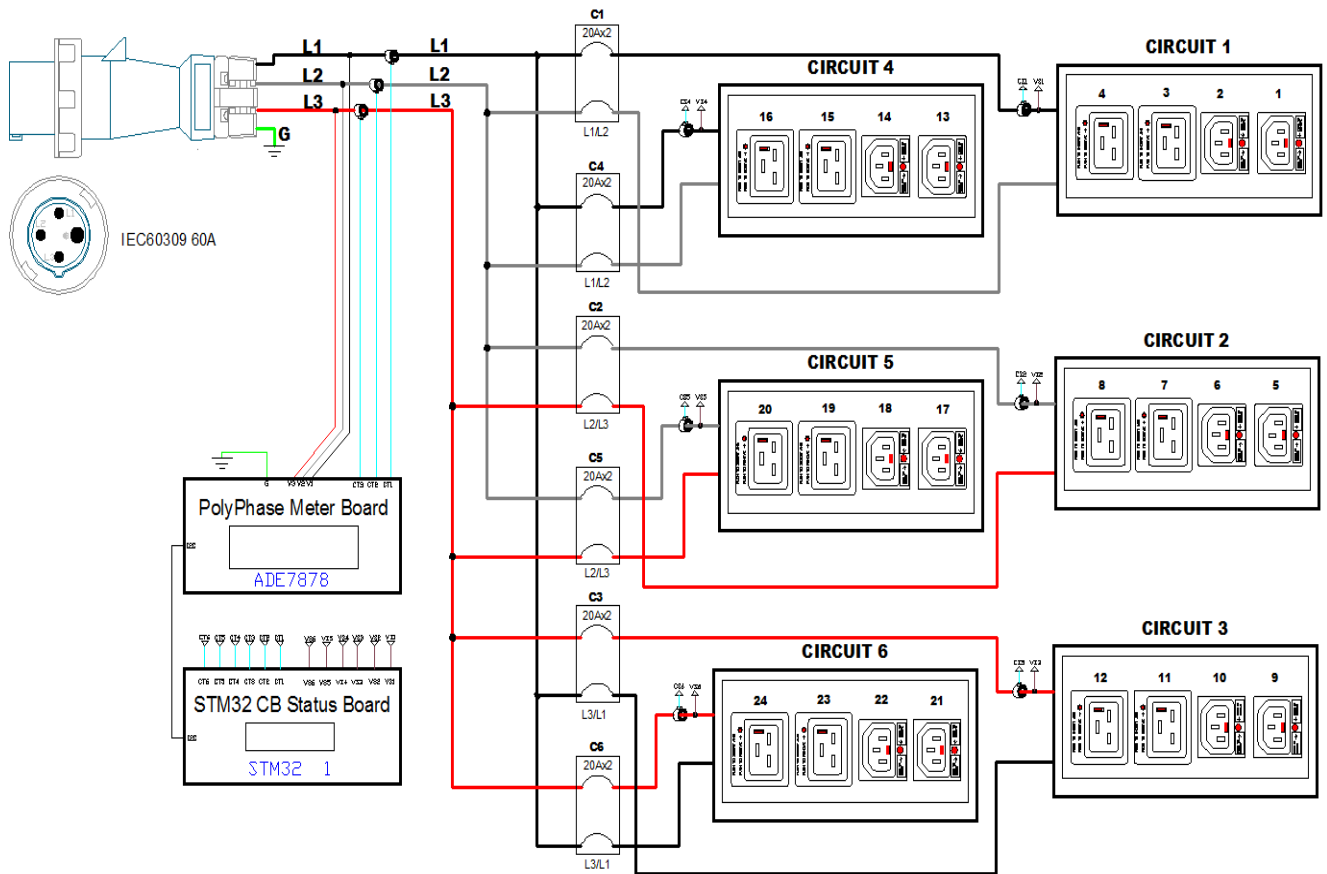
## Conformance

|                      |   |
|----------------------|---|
| Regulatory Approvals | UL Listed<br>Canada ICES-003, Class A<br>Part 15 Class A of the FCC rules<br>RoHS compliant |
|----------------------|---|

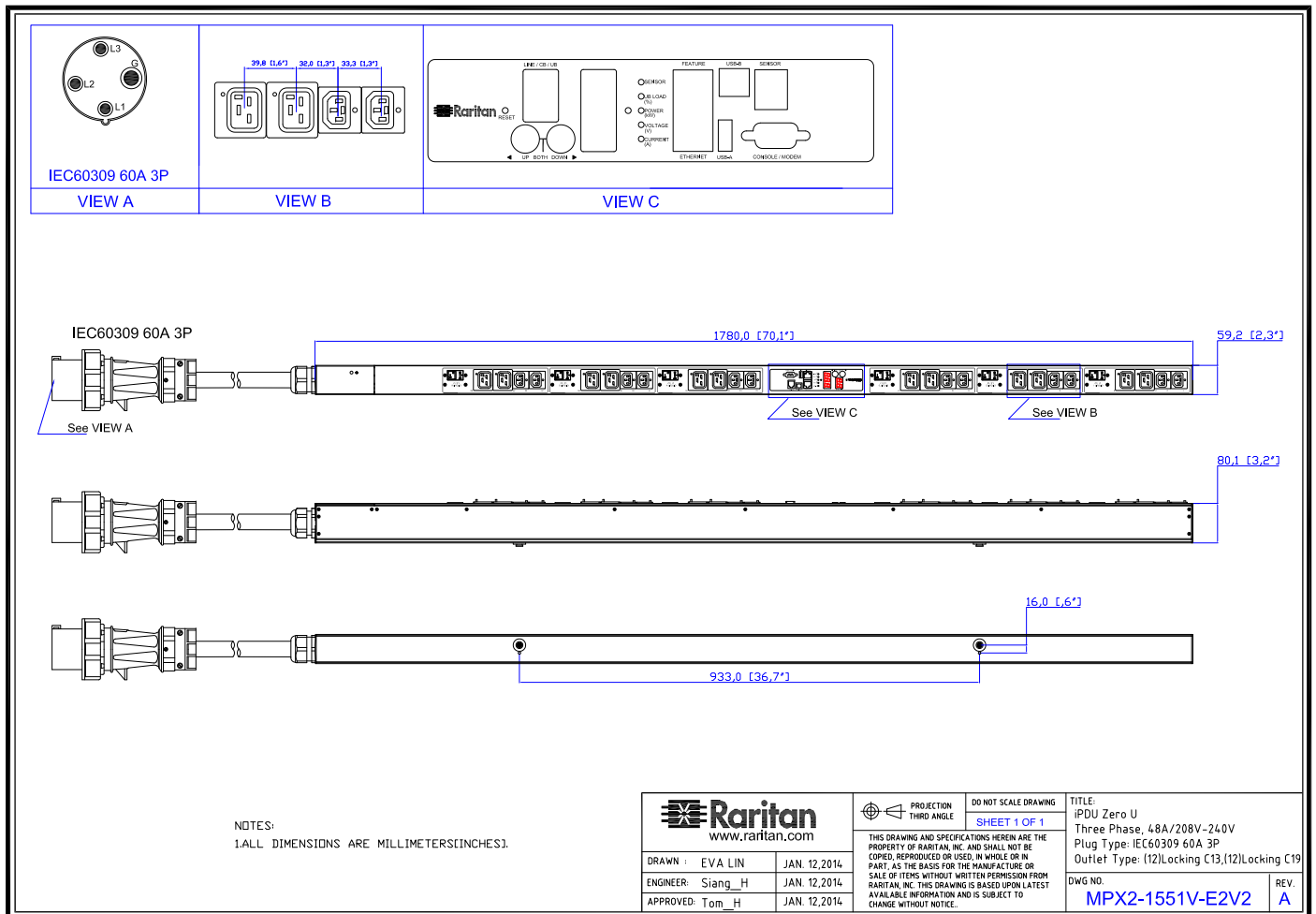
## Control Panel Detail



## Electrical Drawing Detail



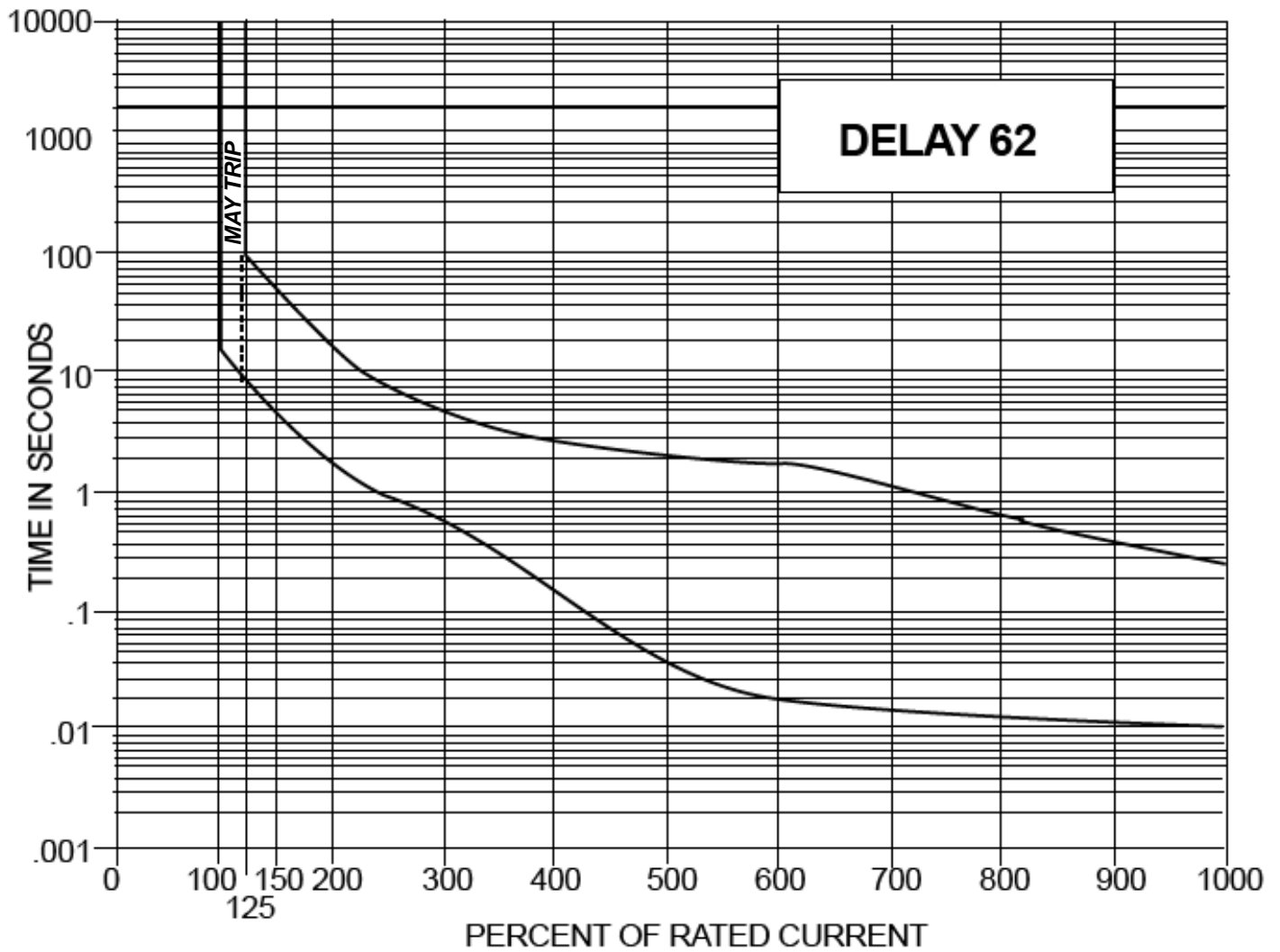
# Mechanical Diagram



## Compatible Sensors

|               |  |
|---------------|--|
| Environmental | DPX-T1 : single temperature node<br>DPX-T2H2 : 2 nodes: each providing both temp + humidity<br>DPX-T3H1 : 3 temperature nodes; one also with humidity<br>DPX-TDP1 : temperature + differential air pressure<br>DPX-AF1 : air flow sensor<br>DPX-CC2-TR : Dual contact closure sensor |
|---------------|--|

## Trip Curve of Circuit Breaker



©2015 Raritan Inc. All rights reserved. Raritan®, Know More. Manage Smarter.TM, Dominion® and PX® are registered trademarks or trademarks of Raritan Inc. or its wholly owned subsidiaries. All others are registered trademarks or trademarks of their respective owners. For more information, please visit [www.raritan.com](http://www.raritan.com)