

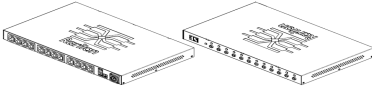
Technical Specification

Raritan PX
Model Number: PX2-4293PR-F5N1

200-240V
32A
6.4-7.7KVA




Line Drawing



Features

Energy Metering	Voltage (V), Current (A), Active Power (kW), Real Power (kVA), Energy (kWh), Power Factor
Metering Accuracy	ISO/IEC 62053-21 1%
Metering per Input Line	Yes
Metering per Branch Circuit Breaker	Yes
Metering per Output Receptacle	Yes
Remote Outlet Switching	No
Environmental Sensor Ready	Yes
Networking	10/100 BaseT Ethernet. Optional WiFi (802.11a/b/g/n)
Remote Management	HTTP(s); SSH; Telnet; RS-232 (Serial); Power IQ; SNMP version v2/v3; SMTP; JSON-RPC
Cascading	Yes up to (4) PDUs in a single cabinet can share a single Ethernet connection
Onboard Display	3-digit user-selectable display (can be selected between Manual and Auto Display Mode). Can display Line voltage, Line current, CB Current (if IPDU supports CB), Unit active power, Outlet Voltage, Outlet Current, and Outlet Active power
Compatible Sensors	Temperature, Humidity, Air Flow, Static Pressure Single cable connection provides temp/humidity monitoring at three points in cabinet (with a single sensor assembly)

Input

Input Plug	Neutrik NAC3MP-HC IP20 (230V, Single phase)	
Cord Length	3 meters (9.84 feet) standard	
Cord Entry	Bottom-front feed	
Cable Type	2P 3W	
Number of Power Cords	1	
Maximum Input Current	32A (per line)	
Nominal Input Voltage	230V, Single phase	
Rated Input Voltage	200 - 240V, Single phase	
Input Frequency	50/60Hz	
Power Capacity	6.4kVA at 200V, 7.7kVA at 240V	

Output

Nominal Output Voltage	230V
Rated Output Voltage	200 - 240V
Output Connections	(12) IEC 60320 C13 2-pole, 3-wire; 10A
Overload Protection	(1) 16A 1-pole [Airpax] IEGBX-6-37664-16-V circuit breaker , 12 Fuses
Cable Retention	Raritan SecureLock™ Ready Optional retention clips are also available

Physical

Dimensions (W x D x H)	17.3" x 10.6" x 1.7" ; 440mm x 269mm x 44mm
Color	Black powder coat
Mounting	Tool-less button mount

Environmental

Operating Environment	5 - 35°C (41 - 95°F)
Operating Relative Humidity	5-85%
Operating Elevation	0-10000ft

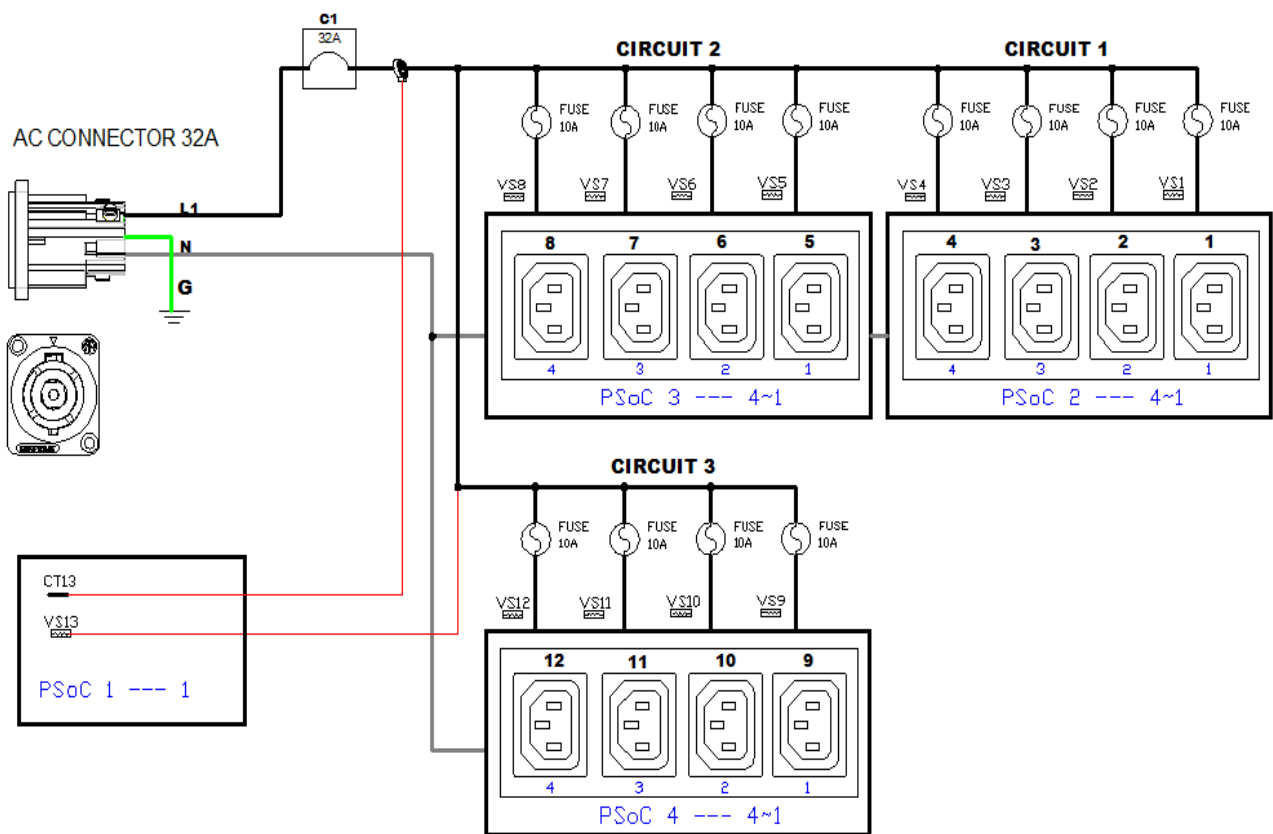
Conformance

Regulatory Approvals	CE Canada ICES-003, Class A Part 15 Class A of the FCC rules RoHS compliant
----------------------	--

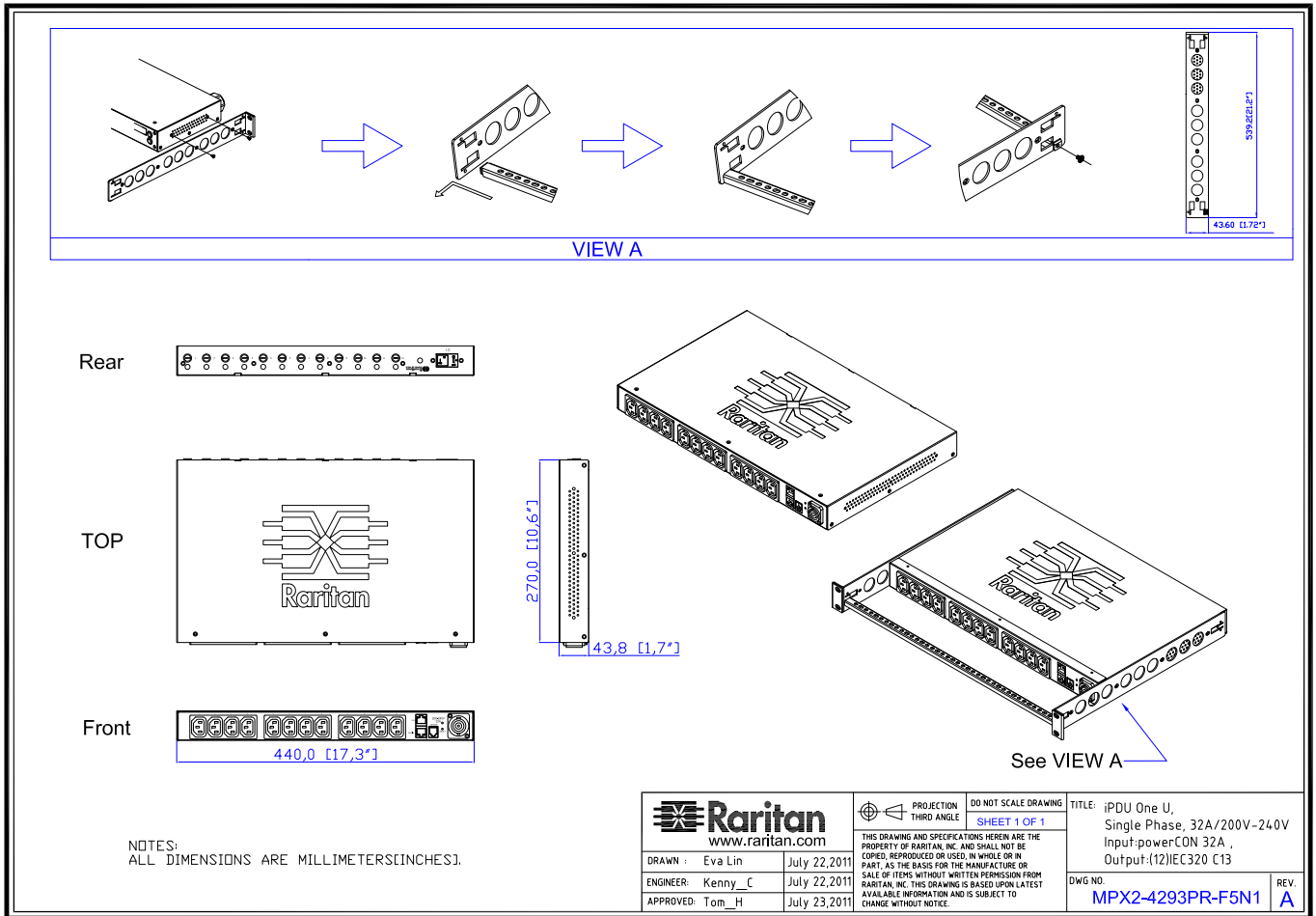
Control Panel Detail



Electrical Drawing Detail



Mechanical Diagram



Compatible Sensors

Environmental	DPX-T1 : single temperature node DPX-T2H2 : 2 nodes: each providing both temp + humidity DPX-T3H1 : 3 temperature nodes; one also with humidity DPX-TDP1 : temperature + differential air pressure DPX-AF1 : air flow sensor DPX-CC2-TR : Dual contact closure sensor
---------------	--

Trip Curve of Circuit Breaker



©2015 Raritan Inc. All rights reserved. Raritan®, Know More. Manage Smarter.TM, Dominion® and PX® are registered trademarks or trademarks of Raritan Inc. or its wholly owned subsidiaries. All others are registered trademarks or trademarks of their respective owners. For more information, please visit www.raritan.com