

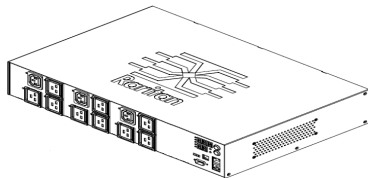
Technical Specification

Raritan PX
Model Number: PX2-4963A2R-A2

415V 3Ø
32A
23.0KVA



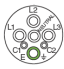
Line Drawing



Features

Energy Metering	Voltage (V), Current (A), Active Power (kW), Real Power (kVA), Energy (kWh), Power Factor
Metering Accuracy	ISO/IEC 62053-21 1%
Metering per Input Line	Yes
Metering per Branch Circuit Breaker	Yes
Metering per Output Receptacle	Yes
Remote Outlet Switching	No
Environmental Sensor Ready	Yes
Networking	10/100 BaseT Ethernet. Optional WiFi (802.11a/b/g/n)
Remote Management	HTTP(s); SSH; Telnet; RS-232 (Serial); Power IQ; SNMP version v2/v3; SMTP; JSON-RPC
Cascading	Yes up to (4) PDUs in a single cabinet can share a single Ethernet connection
Onboard Display	3-digit user-selectable display (can be selected between Manual and Auto Display Mode). Can display Line voltage, Line current, CB Current (if IPDU supports CB), Unit active power, Unbalanced Current percentage (if 3 phase IPDU), Outlet Voltage, Outlet Current, and Outlet Active power
Compatible Sensors	Temperature, Humidity, Air Flow, Static Pressure Single cable connection provides temp/humidity monitoring at three points in cabinet (with a single sensor assembly)

Input

Input Plug	Clipsal 56PA532 IP66 (415V, 3 phase)	
Cord Length	2 meters (6.56 feet)	
Cord Entry	Bottom-front feed	
Cable Type	4P 5W	
Number of Power Cords	1	
Maximum Input Current	32A (per line)	
Nominal Input Voltage	415V, 3 phase	
Rated Input Voltage	415 - 415V, 3 phase	
Input Frequency	50/60Hz	
Power Capacity	23.0kVA at 415V, 23.0kVA at 415V	

Output

Nominal Output Voltage	240V
Rated Output Voltage	240 - 240V
Output Connections	a. (3) IEC 60320 C13 2-pole, 3-wire; 10A b. (9) IEC 60320 C19 2-pole, 3-wire; 16A
Overload Protection	(6) 16A 1-pole Airpax LEGBX6-37483-16-V circuit breaker
Cable Retention	Raritan SecureLock™ Ready Optional retention clips are also available

Physical

Dimensions (W x D x H)	17.3" x 11.5" x 3.5" ; 440.0mm x 293.0mm x 88.1mm
Color	Black powder coat
Mounting	RACK-KIT-PX-2U

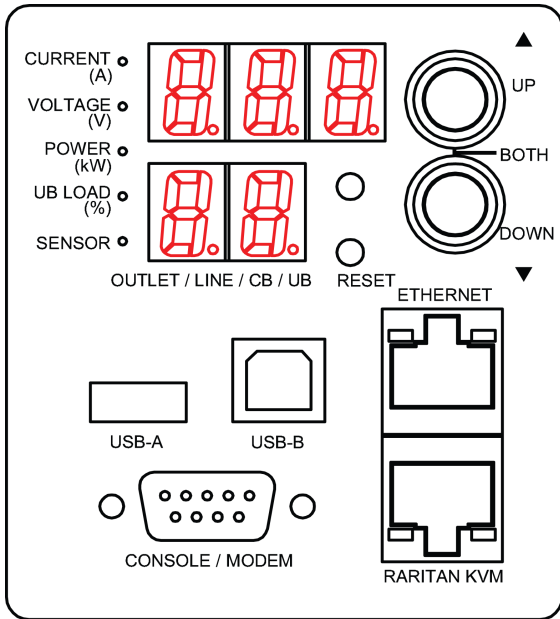
Environmental

Operating Environment	5 - 50°C (41 - 122°F)
Operating Relative Humidity	5-85%
Operating Elevation	0-10000ft

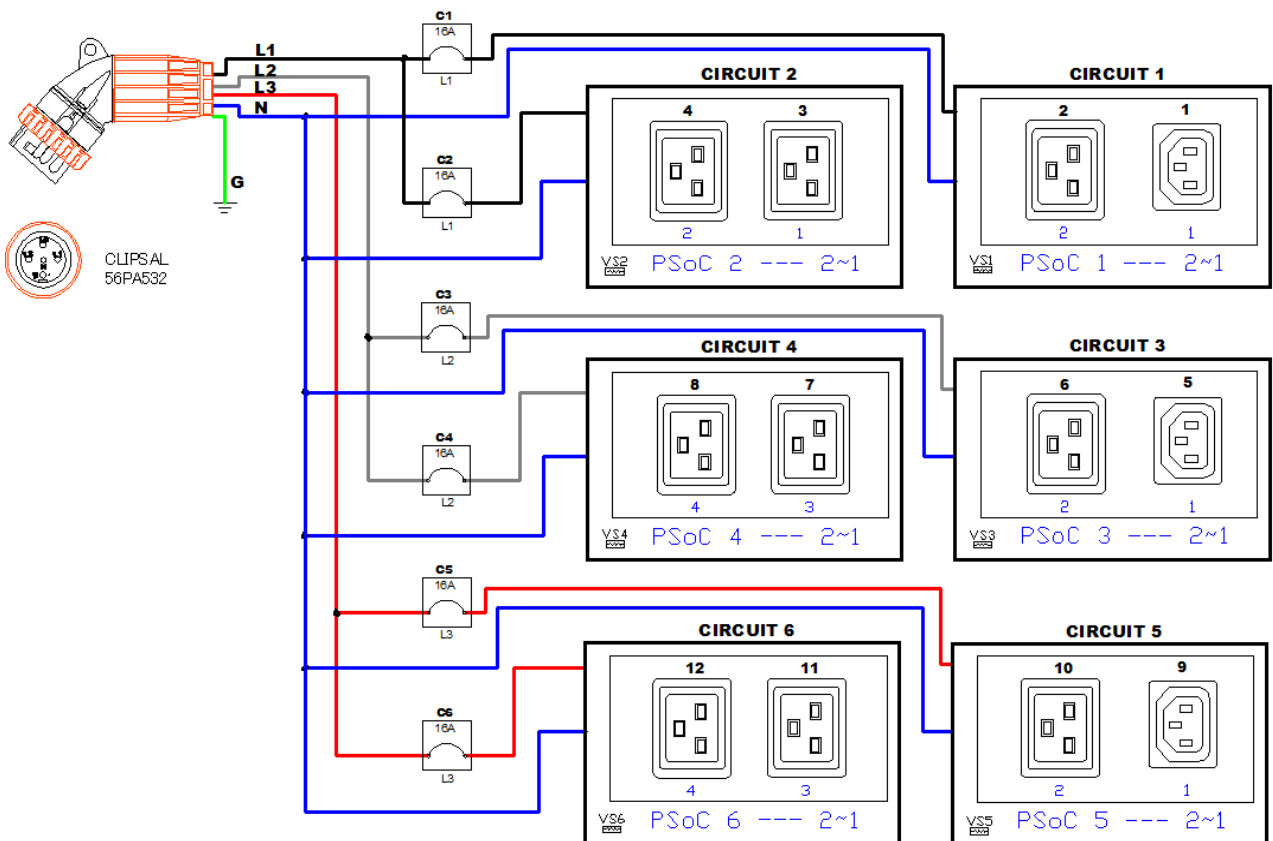
Conformance

Regulatory Approvals	CE Canada ICES-003, Class A Part 15 Class A of the FCC rules RoHS compliant
----------------------	--

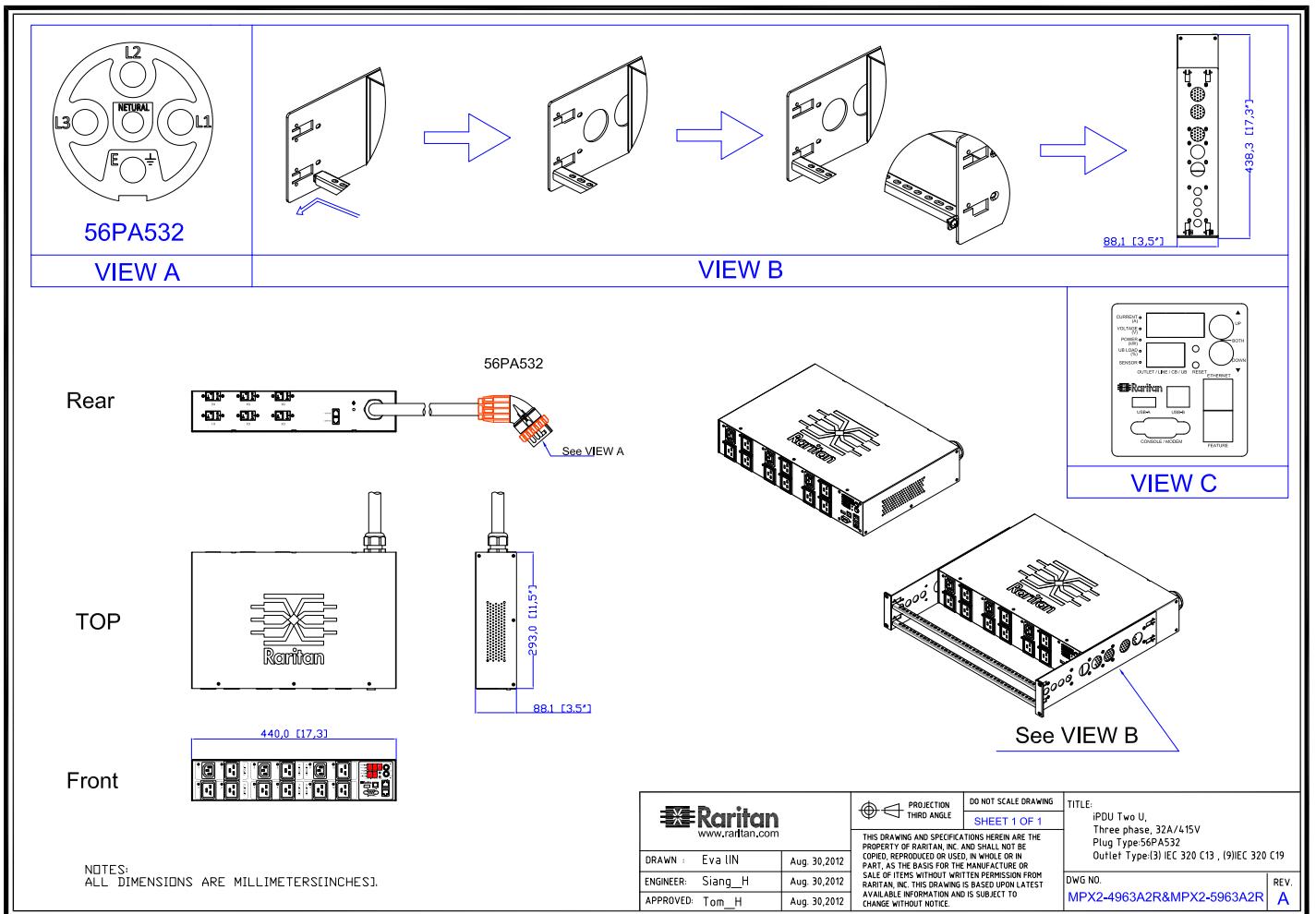
Control Panel Detail



Electrical Drawing Detail



Mechanical Diagram



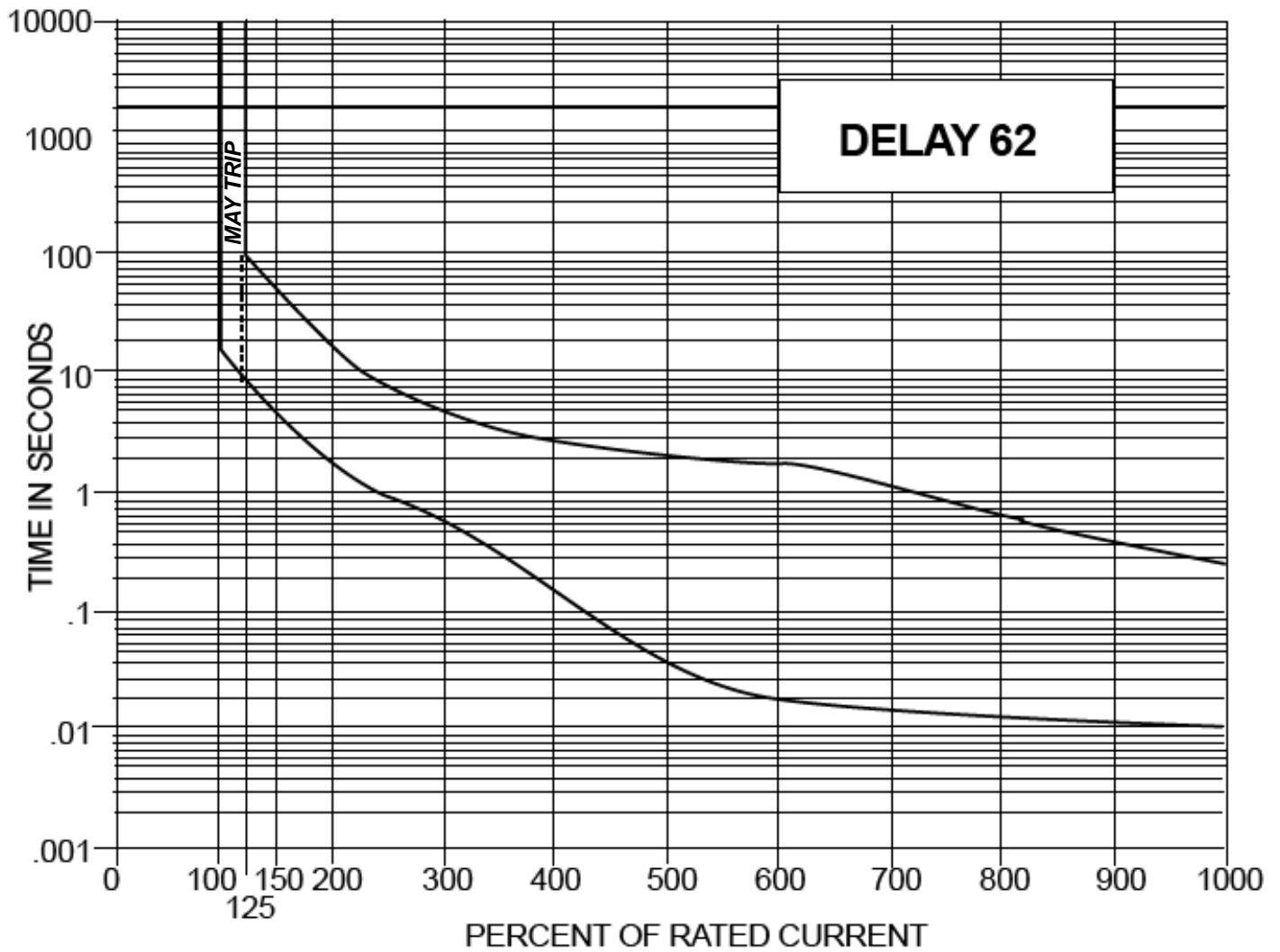
NOTES:
ALL DIMENSIONS ARE MILLIMETERS[INCHES].

 www.raritan.com		 PROJECTION THIRD ANGLE	DO NOT SCALE DRAWING SHEET 1 OF 1	TITLE: iPDU Two U, Three phase, 32A/415V Plug Type:56PA532 Outlet Type:(3) IEC 320 C13 , (9)IEC 320 C19
		THIS DRAWING AND SPECIFICATIONS HEREIN ARE THE PROPERTY OF RARITAN, INC. AND SHALL NOT BE COPIED, REPRODUCED OR USED, IN WHOLE OR IN PART, AS THE BASIS FOR THE MANUFACTURE OR SALE OF ITEMS WITHOUT WRITTEN PERMISSION FROM RARITAN, INC. THIS DRAWING IS BASED UPON LATEST AVAILABLE INFORMATION AND IS SUBJECT TO CHANGE WITHOUT NOTICE.		
DRAWN : Eva_ILN Aug 30,2012	ENGINEER: Siang_H Aug 30,2012	APPROVED: Tom_H Aug 30,2012	DWG NO. MPX2-4963A2R&MPX2-5963A2R	REV. A

Compatible Sensors

Environmental	DPX-T1 : single temperature node DPX-T2H2 : 2 nodes: each providing both temp + humidity DPX-T3H1 : 3 temperature nodes; one also with humidity DPX-TDP1 : temperature + differential air pressure DPX-AF1 : air flow sensor DPX-CC2-TR : Dual contact closure sensor
---------------	--

Trip Curve of Circuit Breaker



©2015 Raritan Inc. All rights reserved. Raritan®, Know More. Manage Smarter.TM, Dominion® and PX® are registered trademarks or trademarks of Raritan Inc. or its wholly owned subsidiaries. All others are registered trademarks or trademarks of their respective owners. For more information, please visit www.raritan.com