

# Technical Specification

Raritan PX  
Model Number: PX3-1528-M5P1

380-415V 3Ø  
32 A  
21.1-23.0KVA



## Line Drawing



## Features

|                                     |  |
|-------------------------------------|--|
| Energy Metering                     | Voltage (V), Current (A), Active Power (kW), Real Power (kVA), Energy (kWh), Power Factor  |
| Metering Accuracy                   | ISO/IEC 62053-21 1%  |
| Metering per Input Line             | Yes  |
| Metering per Branch Circuit Breaker | Yes  |
| Metering per Output Receptacle      | No   |
| Remote Outlet Switching             | No   |
| Environmental Sensor Ready          | Yes  |
| Networking                          | 10/100 BaseT Ethernet. Optional WiFi (802.11a/b/g/n)   |
| Remote Management                   | HTTP(s); SSH; Telnet; RS-232 (Serial); Power IQ; SNMP version v2/v3; SMTP; JSON-RPC  |
| Cascading                           | Yes<br>up to (4) PDUs in a single cabinet can share a single Ethernet connection   |
| Onboard Display                     | User-selectable display (voltage, current, or active power: per line, per breaker, or per receptacle)  |
| Compatible Sensors                  | Temperature, Humidity, Air Flow, Static Pressure<br>Single cable connection provides temp/humidity monitoring at three points in cabinet (with a single sensor assembly) |

## Input

|                       |  |
|-----------------------|--|
| Input Plug            | IEC 60309 3P+N+E 6h 32A 4P5W (L1/L2/L3/N/E)<br>IP44("splashproof") (400V, 3 phase) |
| Cord Length           | 3 meters (9.84 feet) standard  |
| Cord Entry            | Bottom-front feed  |
| Cable Type            | 4P 5W  |
| Number of Power Cords | 1  |
| Maximum Input Current | 32A (per line)   |
| Nominal Input Voltage | 400V, 3 phase  |
| Rated Input Voltage   | 380 - 415V, 3 phase  |
| Input Frequency       | 50/60Hz  |
| Power Capacity        | 21.1kVA at 380V, 23.0kVA at 415V   |

## Output

|                        |   |
|------------------------|---|
| Nominal Output Voltage | 230V  |
| Rated Output Voltage   | 220 - 240V  |
| Output Connections     | a. (18) IEC 60320 C13 2-pole, 3-wire; 10A<br>b. (6) IEC 60320 C19 2-pole, 3-wire; 16A |
| Overload Protection    | (6) 16A 1-pole LEGBXA6-16 circuit breaker   |
| Cable Retention        | Raritan SecureLock™ Ready<br>Optional retention clips are also available              |

## Physical

|                        |  |
|------------------------|--|
| Dimensions (W x D x H) | 2.1" x 2.2" x 70.1" ; 52mm x 55mm x 1780mm |
| Color                  | Black powder coat                          |
| Mounting               | Tool-less button mount                     |

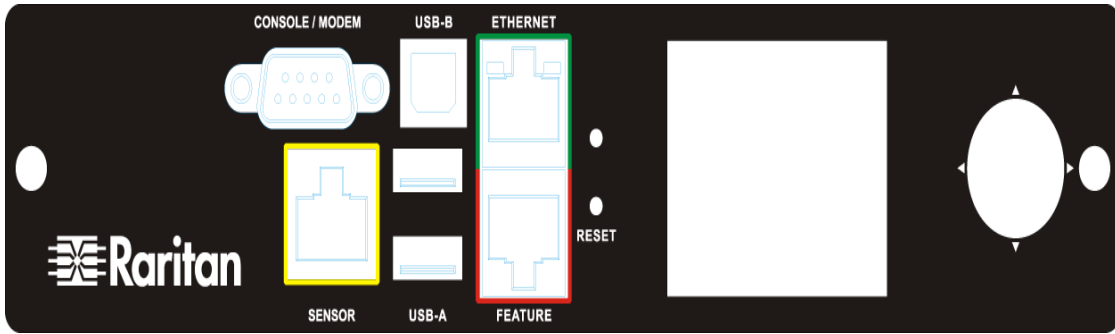
## Environmental

|                             |                       |
|-----------------------------|-----------------------|
| Operating Environment       | 5 - 60°C (41 - 140°F) |
| Operating Relative Humidity | 5-85%                 |
| Operating Elevation         | 0-10000ft             |

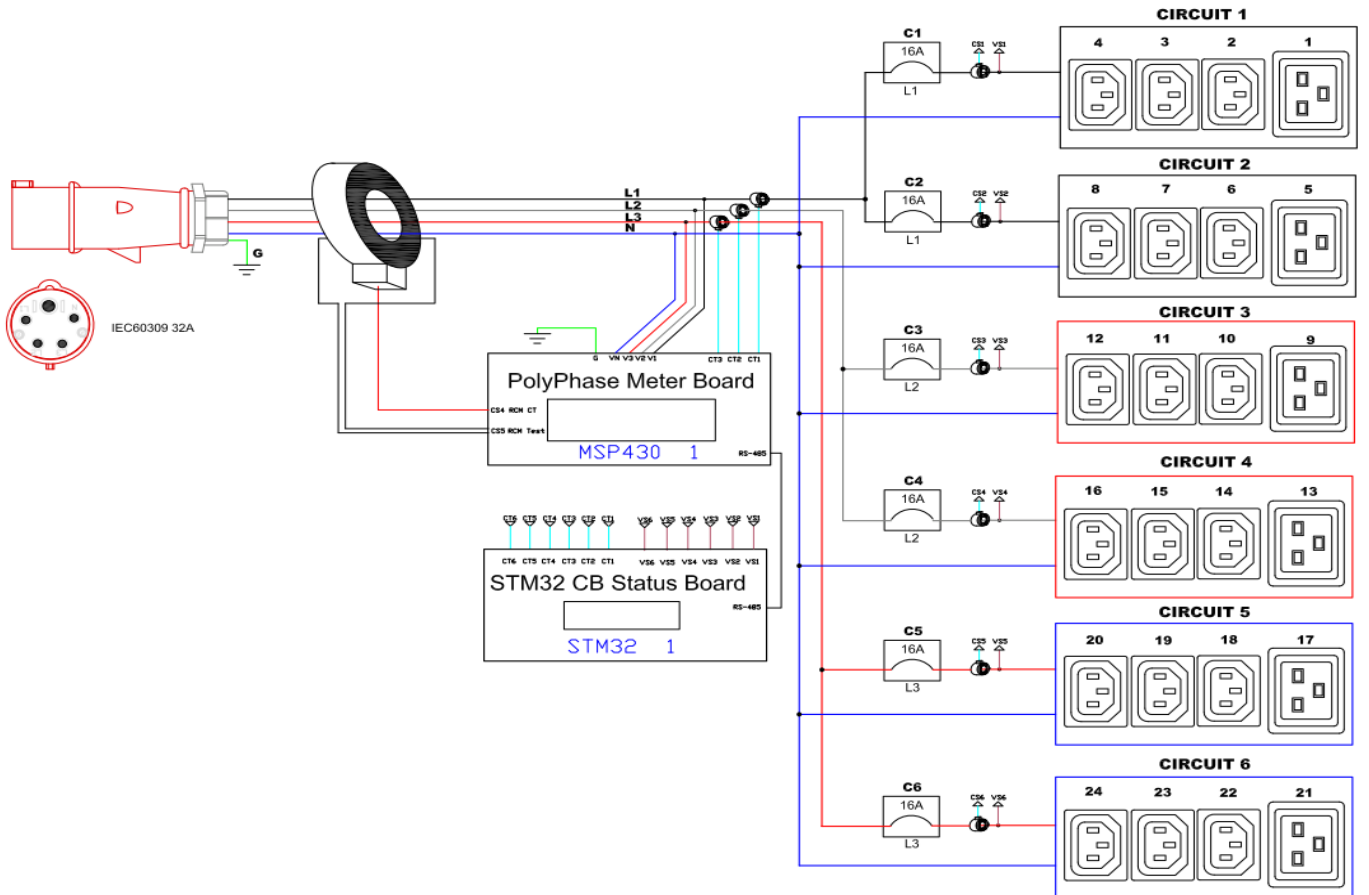
## Conformance

|                      |  |
|----------------------|--|
| Regulatory Approvals | CE<br>Canada ICES-003, Class A<br>Part 15 Class A of the FCC rules<br>RoHS compliant |
|----------------------|--|

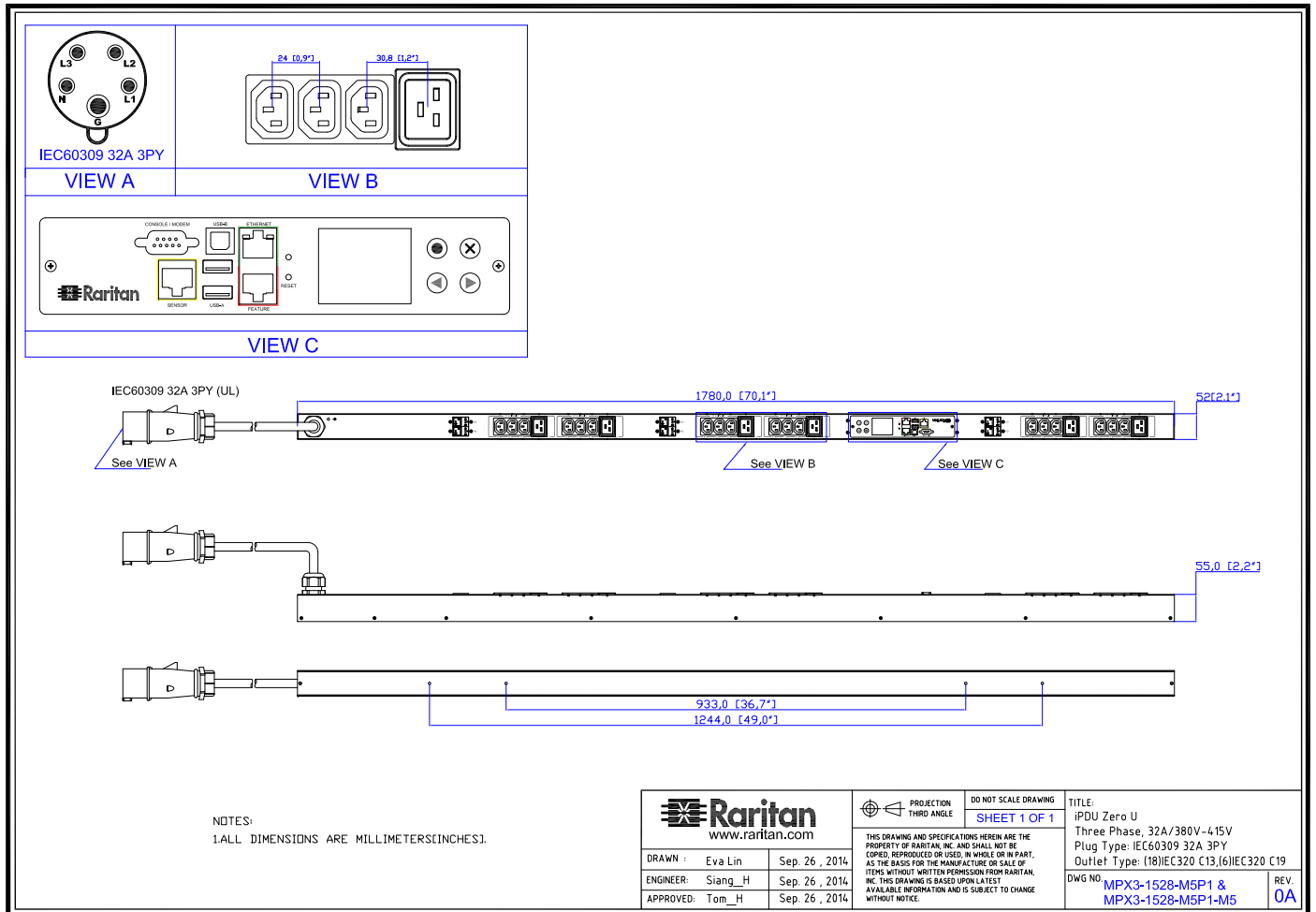
## Control Panel Detail



## Electrical Drawing Detail



# Mechanical Diagram



## Compatible Sensors

|               |  |
|---------------|--|
| Environmental | DPX-T1 : single temperature node<br>DPX-T2H2 : 2 nodes: each providing both temp + humidity<br>DPX-T3H1 : 3 temperature nodes; one also with humidity<br>DPX-TDP1 : temperature + differential air pressure<br>DPX-AF1 : air flow sensor<br>DPX-CC2-TR : Dual contact closure sensor |
|---------------|--|

## Trip Curve of Circuit Breaker



©2015 Raritan Inc. All rights reserved. Raritan®, Know More. Manage Smarter.TM, Dominion® and PX® are registered trademarks or trademarks of Raritan Inc. or its wholly owned subsidiaries. All others are registered trademarks or trademarks of their respective owners. For more information, please visit [www.raritan.com](http://www.raritan.com)