

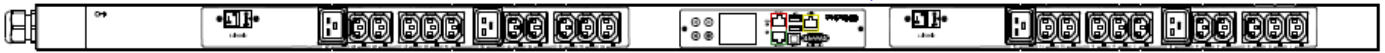
# Technical Specification

Raritan PX  
Model Number: PX3-5493V

200-240V  
32A  
6.4-7.7KVA




## Line Drawing



## Features

Energy Metering	Voltage (V), Current (A), Active Power (kW), Real Power (kVA), Energy (kWh), Power Factor
Metering Accuracy	ISO/IEC 62053-21 1%
Metering per Input Line	Yes
Metering per Branch Circuit Breaker	Yes
Metering per Output Receptacle	Yes
Remote Outlet Switching	Yes
Environmental Sensor Ready	Yes
Networking	10/100 BaseT Ethernet. Optional WiFi (802.11a/b/g/n)
Remote Management	HTTP(s); SSH; Telnet; RS-232 (Serial); Power IQ; SNMP version v2/v3; SMTP; JSON-RPC
Cascading	Yes up to (4) PDUs in a single cabinet can share a single Ethernet connection
Onboard Display	User-selectable display (voltage, current, or active power; per line, per breaker, or per receptacle)
Compatible Sensors	Temperature, Humidity, Air Flow, Static Pressure Single cable connection provides temp/humidity monitoring at three points in cabinet (with a single sensor assembly)

## Input

Input Plug	IEC 60309 2P+E 6h 32A 2P3W (L1/L2/E) IP44("splashproof") (230V, Single phase)	
Cord Length	3 meters (9.84 feet) standard	
Cord Entry	Bottom-bottom feed	
Cable Type	2P 3W	
Number of Power Cords	1	
Maximum Input Current	32A (per line)	
Nominal Input Voltage	230V, Single phase	
Rated Input Voltage	200 - 240V, Single phase	
Input Frequency	50/60Hz	
Power Capacity	6.4kVA at 200V, 7.7kVA at 240V	

## Output

Nominal Output Voltage	230V
Rated Output Voltage	200 - 240V
Output Connections	a. (20) IEC 60320 C13 2-pole, 3-wire; 10A b. (4) IEC 60320 C19 2-pole, 3-wire; 16A
Overload Protection	(2) 16A 1-pole LEGBXA6-16 circuit breaker
Cable Retention	Raritan SecureLock™ Ready Optional retention clips are also available

## Physical

Dimensions (W x D x H)	2.1" x 2.6" x 60.6" ; 52mm x 65mm x 1539mm
Color	Black powder coat
Mounting	G2-RACK-FOR-ZU

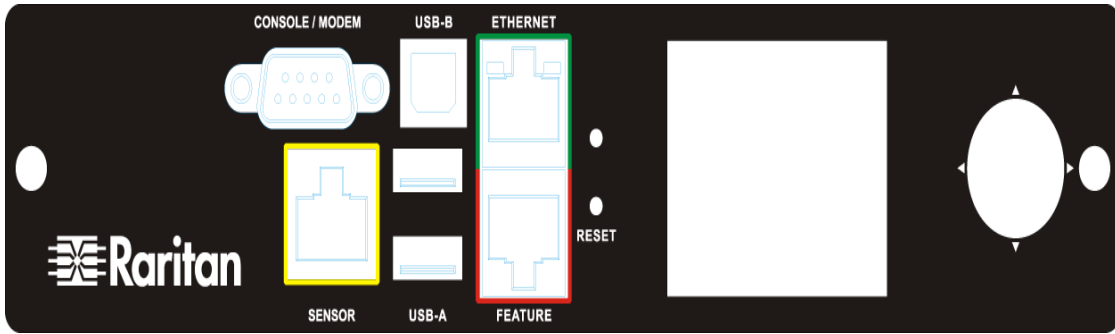
## Environmental

Operating Environment	5 - 60°C (41 - 140°F)
Operating Relative Humidity	5-85%
Operating Elevation	0-10000ft

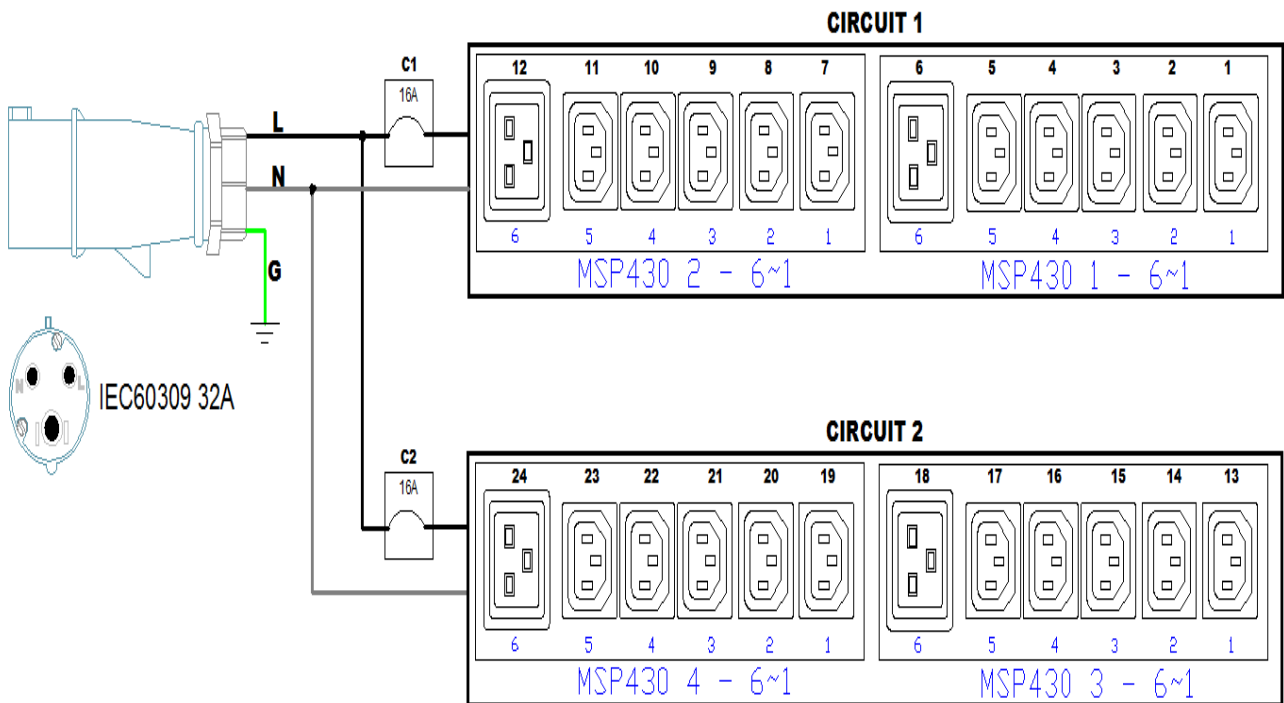
## Conformance

Regulatory Approvals	CE Canada ICES-003, Class A Part 15 Class A of the FCC rules RoHS compliant
----------------------	--

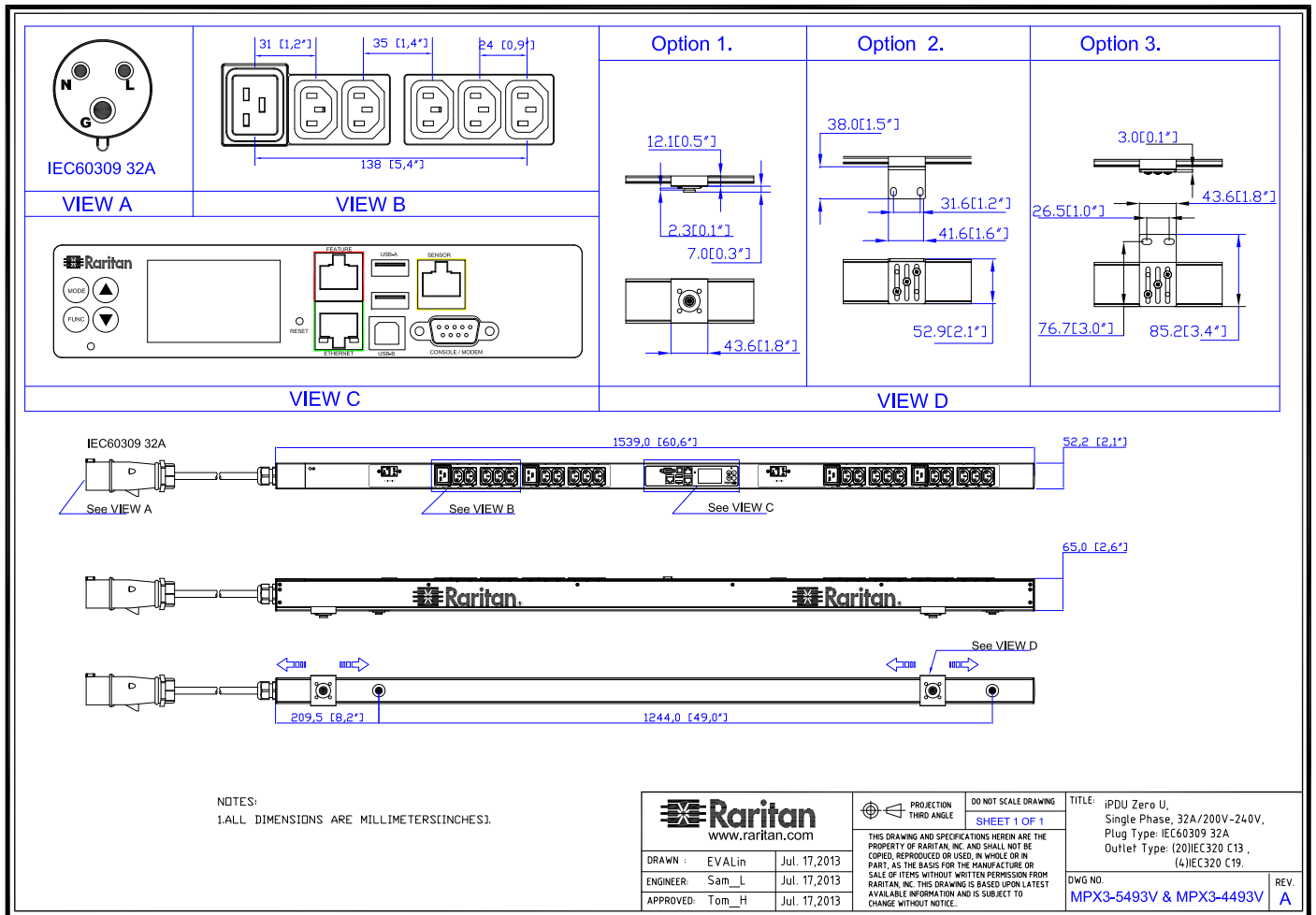
## Control Panel Detail



## Electrical Drawing Detail

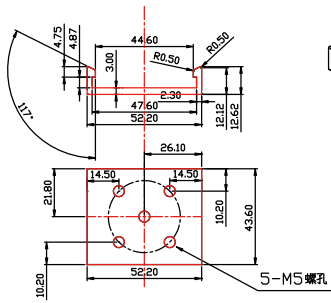


# Mechanical Diagram

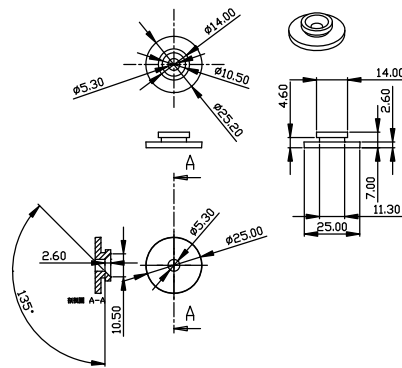


# Mounting Diagram (G2-RACK-FOR-ZU)

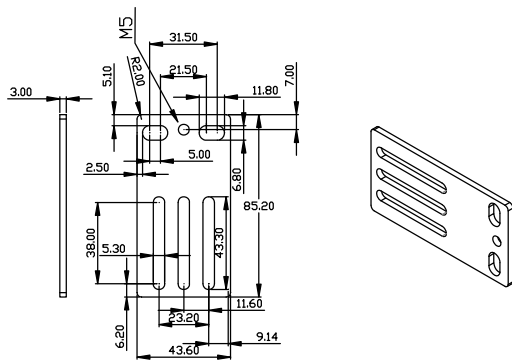
250-70-0104-00



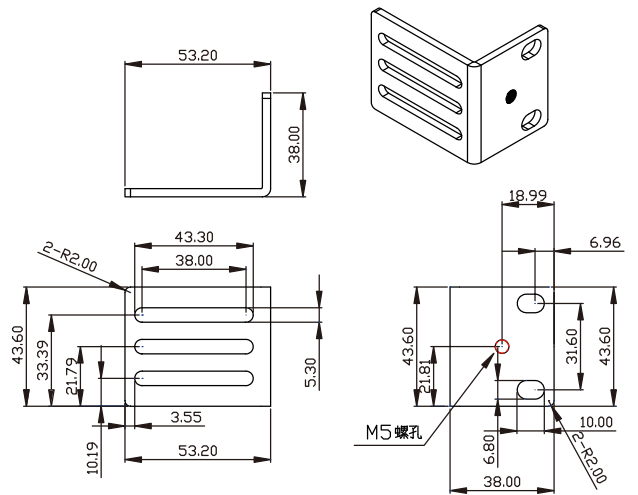
250-80-0011-00



250-70-0007-00



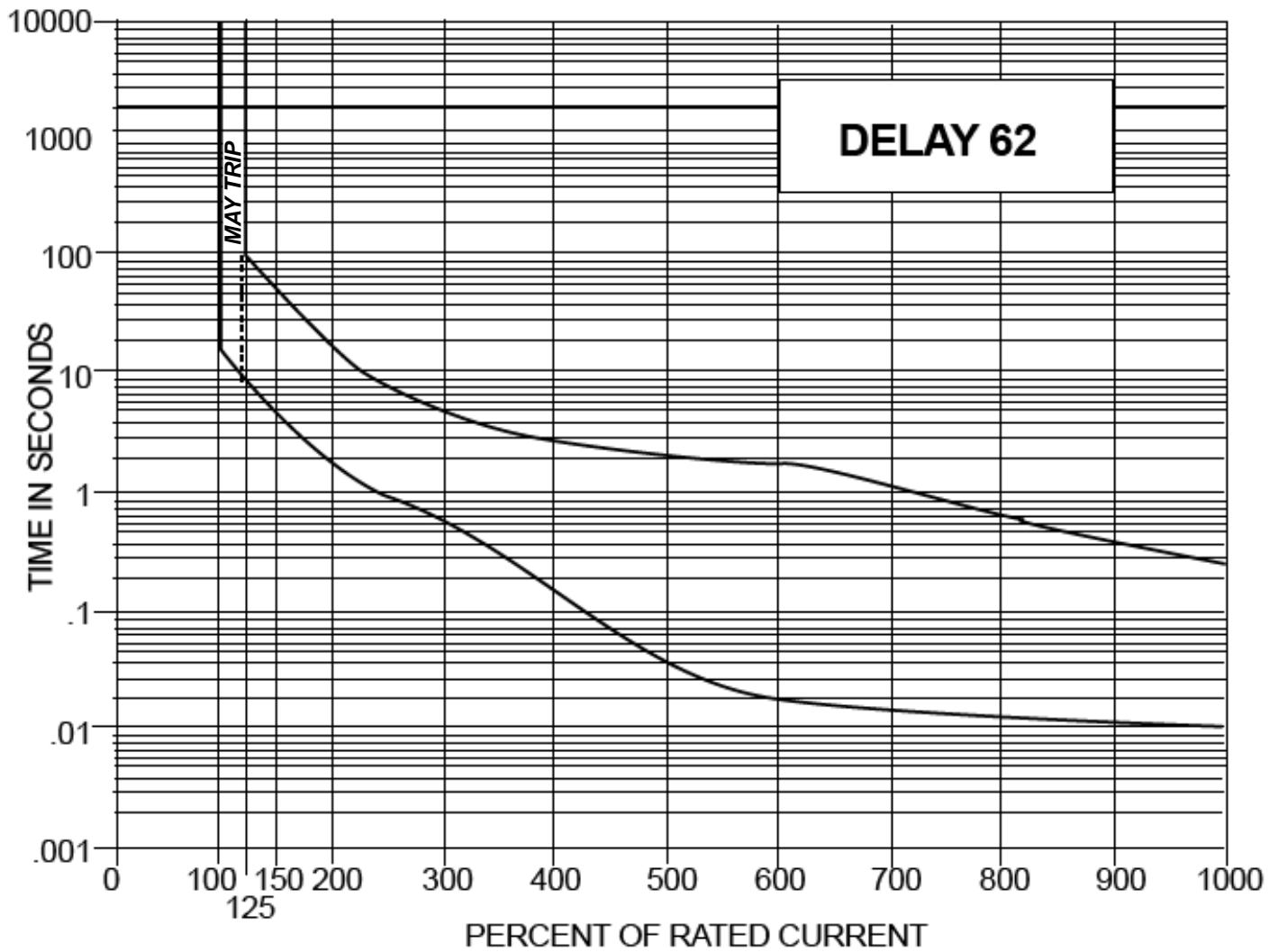
250-70-0093-00



## Compatible Sensors

Environmental	DPX-T1 : single temperature node DPX-T2H2 : 2 nodes: each providing both temp + humidity DPX-T3H1 : 3 temperature nodes; one also with humidity DPX-TDP1 : temperature + differential air pressure DPX-AF1 : air flow sensor DPX-CC2-TR : Dual contact closure sensor
---------------	--

## Trip Curve of Circuit Breaker



©2015 Raritan Inc. All rights reserved. Raritan®, Know More. Manage Smarter.TM, Dominion® and PX® are registered trademarks or trademarks of Raritan Inc. or its wholly owned subsidiaries. All others are registered trademarks or trademarks of their respective owners. For more information, please visit [www.raritan.com](http://www.raritan.com)