

Technical Specification

Raritan PX
Model Number: PX3-5528-M5

380-415V 3Ø
32 A
21.1-23.0KVA



Line Drawing



Features

| | |
|-------------------------------------|--|
| Energy Metering | Voltage (V), Current (A), Active Power (kW), Real Power (kVA), Energy (kWh), Power Factor |
| Metering Accuracy | ISO/IEC 62053-21 1% |
| Metering per Input Line | Yes |
| Metering per Branch Circuit Breaker | Yes |
| Metering per Output Receptacle | Yes |
| Remote Outlet Switching | Yes |
| Environmental Sensor Ready | Yes |
| Networking | 10/100 BaseT Ethernet. Optional WiFi (802.11a/b/g/n) |
| Remote Management | HTTP(s); SSH; Telnet; RS-232 (Serial); Power IQ; SNMP version v2/v3; SMTP; JSON-RPC |
| Cascading | Yes up to (4) PDUs in a single cabinet can share a single Ethernet connection |
| Onboard Display | User-selectable display (voltage, current, or active power: per line, per breaker, or per receptacle) |
| Compatible Sensors | Temperature, Humidity, Air Flow, Static Pressure Single cable connection provides temp/humidity monitoring at three points in cabinet (with a single sensor assembly) |

Input

| | |
|-----------------------|--|
| Input Plug | IEC 60309 3P+N+E 6h 32A 4P5W (L1/L2/L3/N/E) IP44("splashproof") (400V, 3 phase) |
| Cord Length | 3 meters (9.84 feet) standard |
| Cord Entry | Bottom-front feed |
| Cable Type | 4P 5W |
| Number of Power Cords | 1 |
| Maximum Input Current | 32A (per line) |
| Nominal Input Voltage | 400V, 3 phase |
| Rated Input Voltage | 380 - 415V, 3 phase |
| Input Frequency | 50/60Hz |
| Power Capacity | 21.1kVA at 380V, 23.0kVA at 415V |

Output

| | |
|------------------------|---|
| Nominal Output Voltage | 230V |
| Rated Output Voltage | 220 - 240V |
| Output Connections | a. (18) IEC 60320 C13 2-pole, 3-wire; 10A b. (6) IEC 60320 C19 2-pole, 3-wire; 16A |
| Overload Protection | (6) 16A 1-pole LEGBXA6-16 circuit breaker |
| Cable Retention | Raritan SecureLock™ Ready Optional retention clips are also available |

Physical

| | |
|------------------------|--|
| Dimensions (W x D x H) | 2.1" x 2.6" x 70.1" ; 52mm x 65mm x 1780mm |
| Color | Black powder coat |
| Mounting | G2-RACK-FOR-ZU |

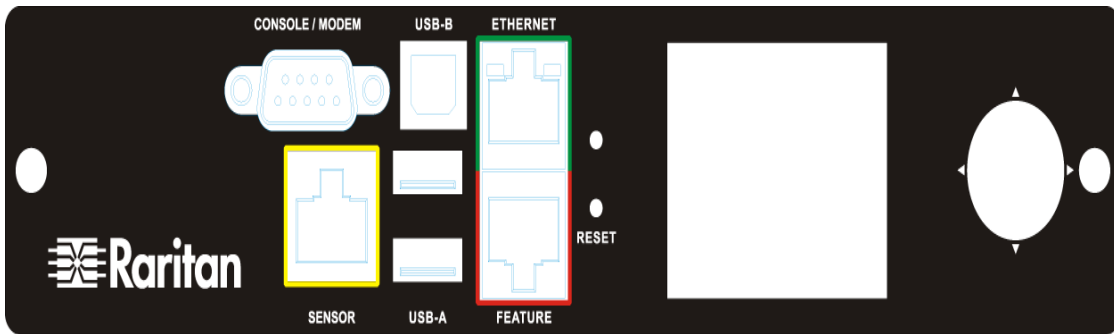
Environmental

| | |
|-----------------------------|-----------------------|
| Operating Environment | 5 - 60°C (41 - 140°F) |
| Operating Relative Humidity | 5-85% |
| Operating Elevation | 0-10000ft |

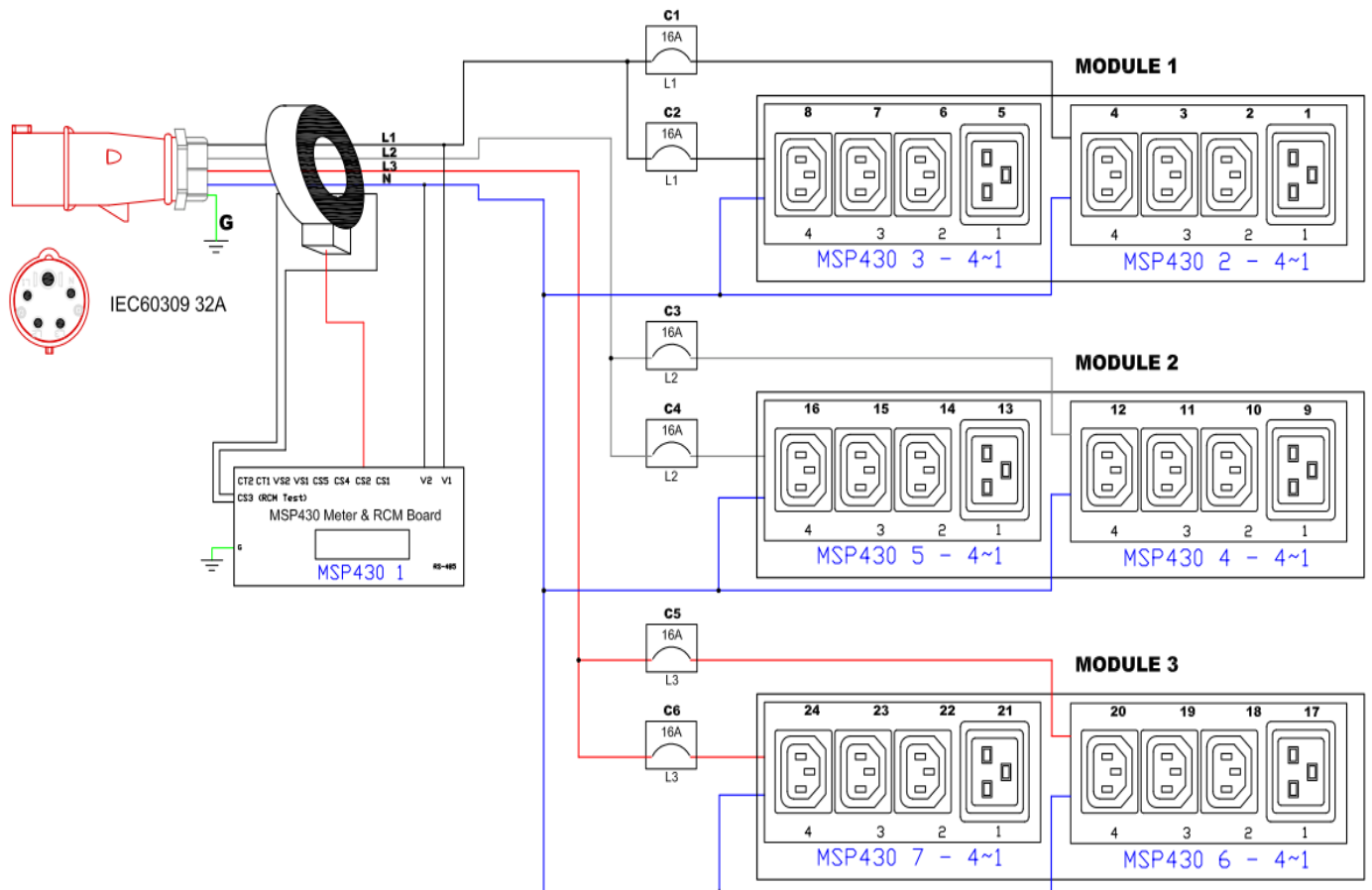
Conformance

| | |
|----------------------|--|
| Regulatory Approvals | CE Canada ICES-003, Class A Part 15 Class A of the FCC rules RoHS compliant |
|----------------------|--|

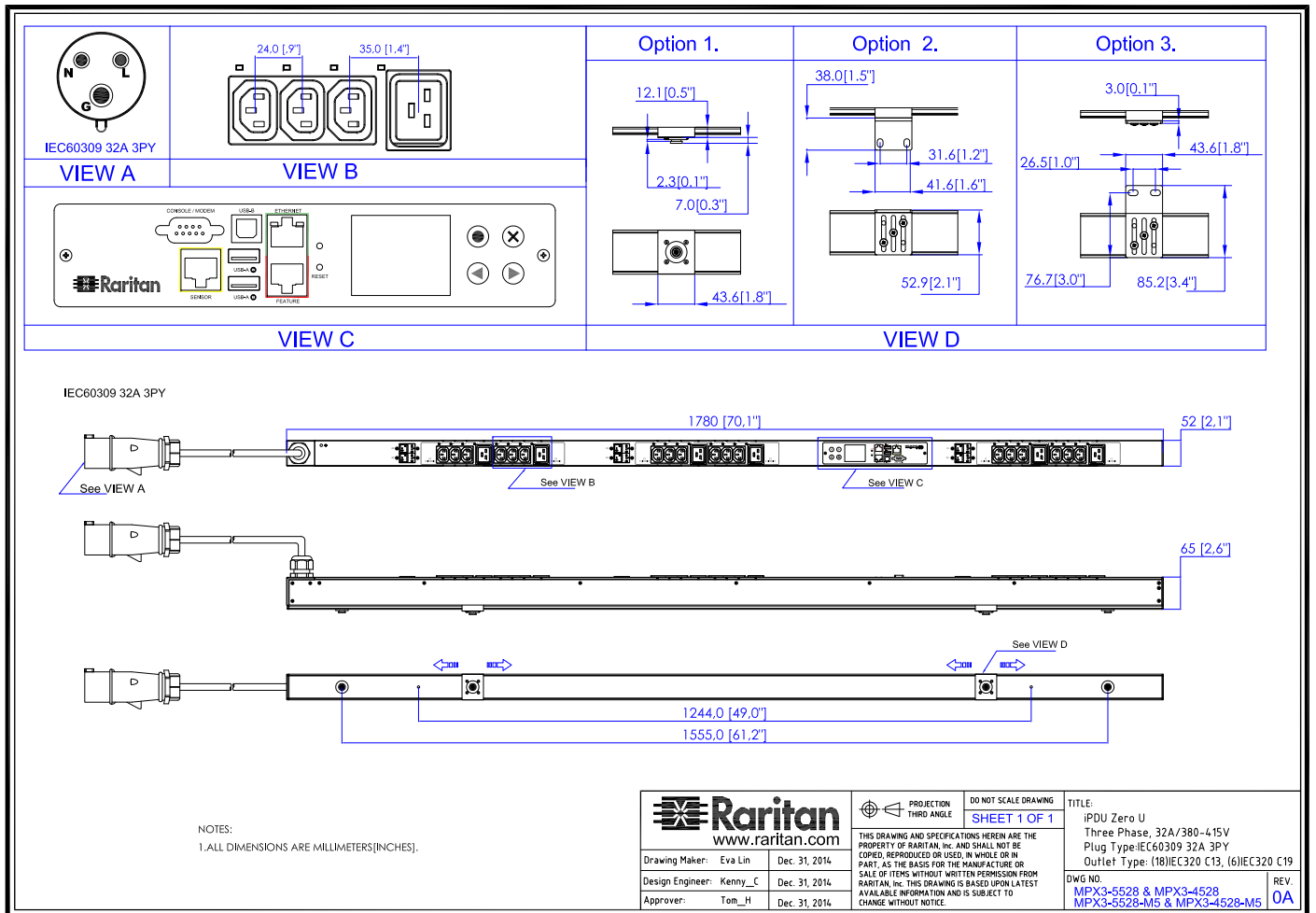
Control Panel Detail



Electrical Drawing Detail

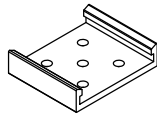


Mechanical Diagram



Mounting Diagram (G2-RACK-FOR-ZU)

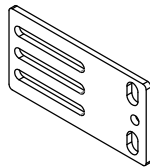
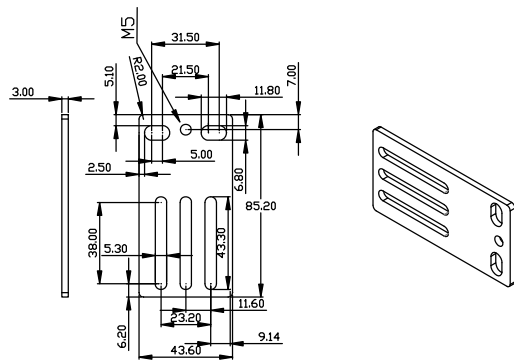
250-70-0104-00



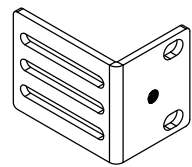
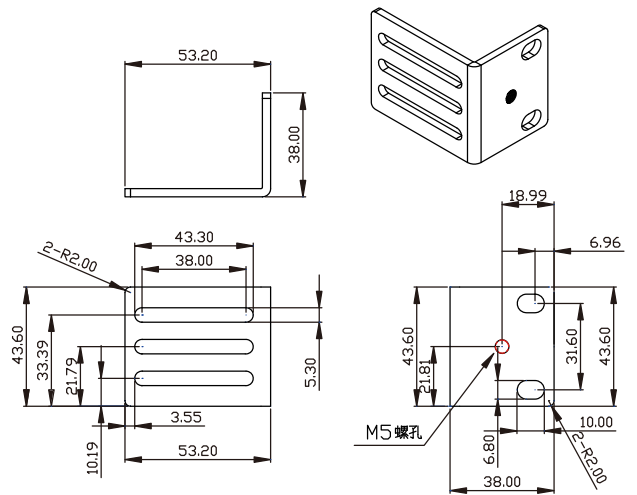
250-80-0011-00



250-70-0007-00



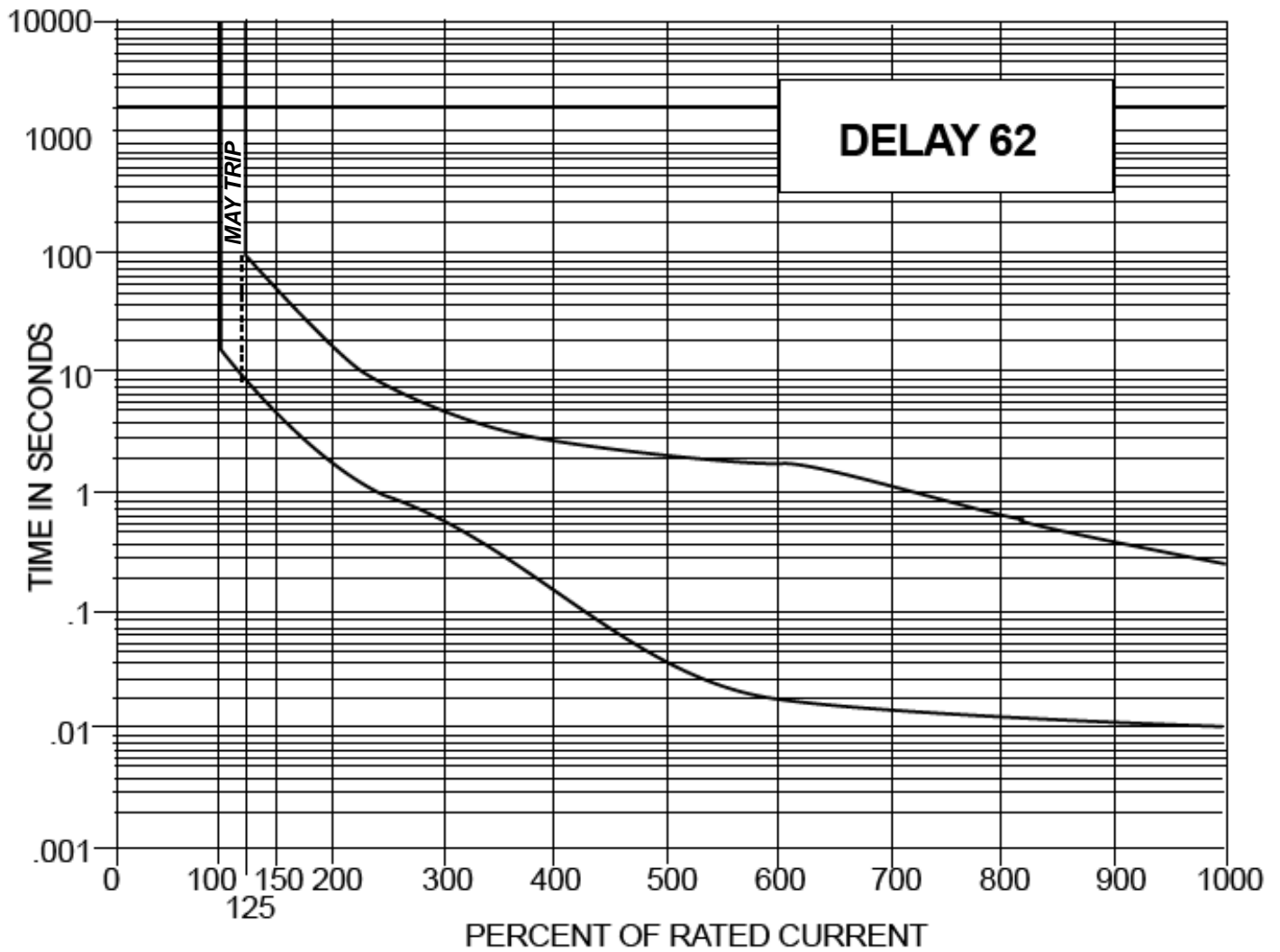
250-70-0093-00



Compatible Sensors

| | |
|---------------|--|
| Environmental | DPX-T1 : single temperature node DPX-T2H2 : 2 nodes: each providing both temp + humidity DPX-T3H1 : 3 temperature nodes; one also with humidity DPX-TDP1 : temperature + differential air pressure DPX-AF1 : air flow sensor DPX-CC2-TR : Dual contact closure sensor |
|---------------|--|

Trip Curve of Circuit Breaker



©2015 Raritan Inc. All rights reserved. Raritan®, Know More. Manage Smarter.TM, Dominion® and PX® are registered trademarks or trademarks of Raritan Inc. or its wholly owned subsidiaries. All others are registered trademarks or trademarks of their respective owners. For more information, please visit www.raritan.com