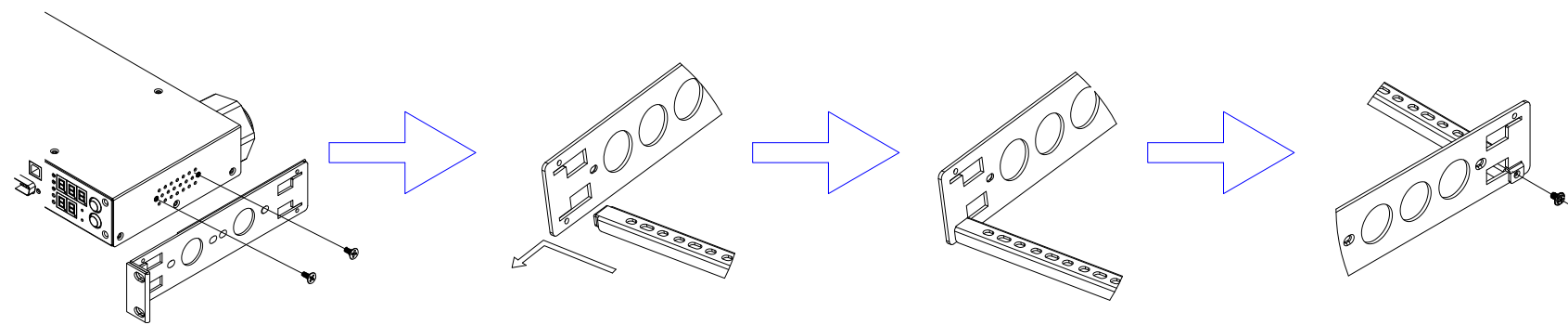
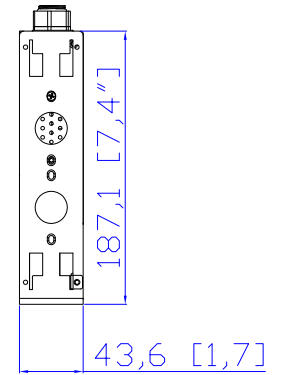


IEC60320 C20

VIEW A



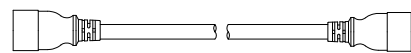
VIEW B



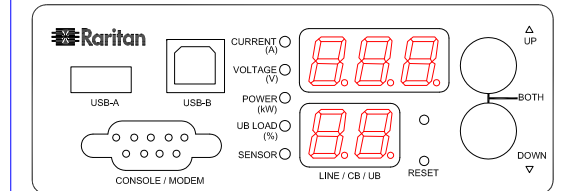
Rear



IEC60320 C19 IEC60320 C20

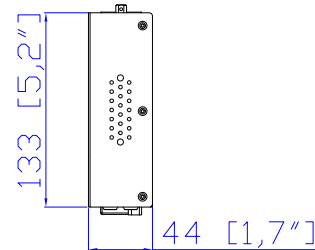
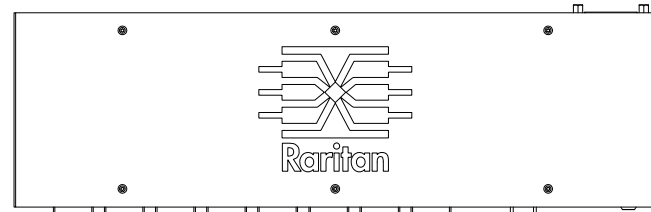


See VIEW A

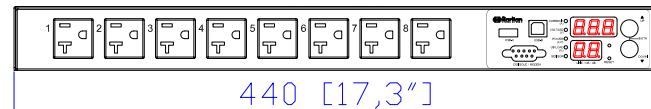


VIEW C

TOP

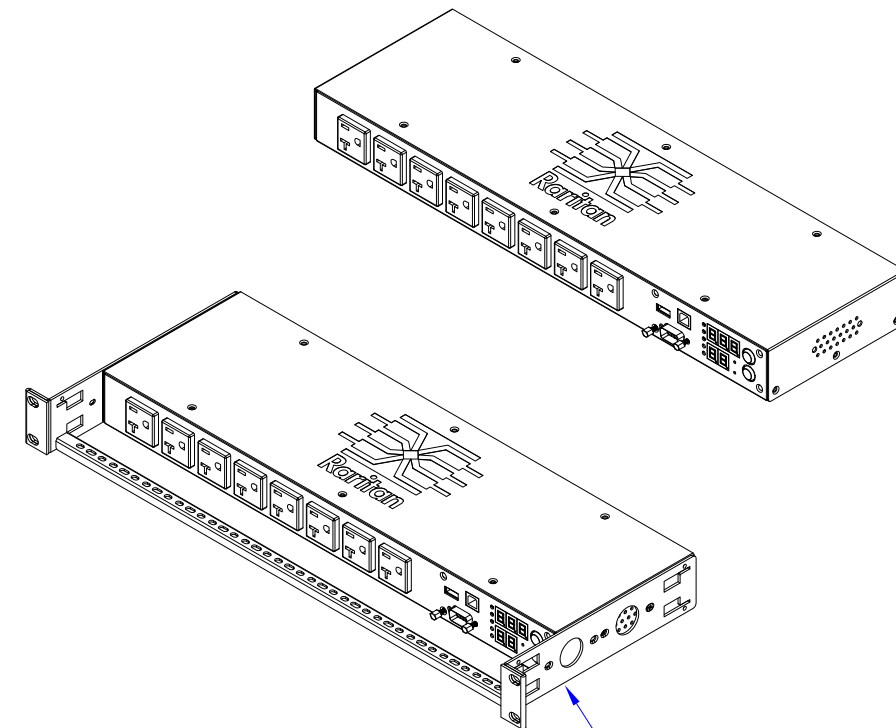


Front



440 [17,3"]

See VIEW C



See VIEW B

NOTES:
1. ALL DIMENSIONS ARE MILLIMETERS [INCHES].

		PROJECTION THIRD ANGLE	DO NOT SCALE DRAWING	TITLE: iPDU One U Single Phase, 16A/100-120V Inlet Type: IEC60320 C20 Plug Type: IEC60320 C20 Outlet Type: (8)5-20R 16A	
			SHEET 1 OF 1		
Drawing Maker: Eva Lin	Dec. 17, 2015	THIS DRAWING AND SPECIFICATIONS HEREIN ARE THE PROPERTY OF RARITAN, INC. AND SHALL NOT BE COPIED, REPRODUCED OR USED, IN WHOLE OR IN PART, AS THE BASIS FOR THE MANUFACTURE OR SALE OF ITEMS WITHOUT WRITTEN PERMISSION FROM RARITAN, INC. THIS DRAWING IS BASED UPON LATEST AVAILABLE INFORMATION AND IS SUBJECT TO CHANGE WITHOUT NOTICE.		DWG NO. MPX2-1147CR	
Design Engineer: Sam_L	Dec. 17, 2015				REV. 0B
Approver: Tom_H	Dec. 17, 2015				