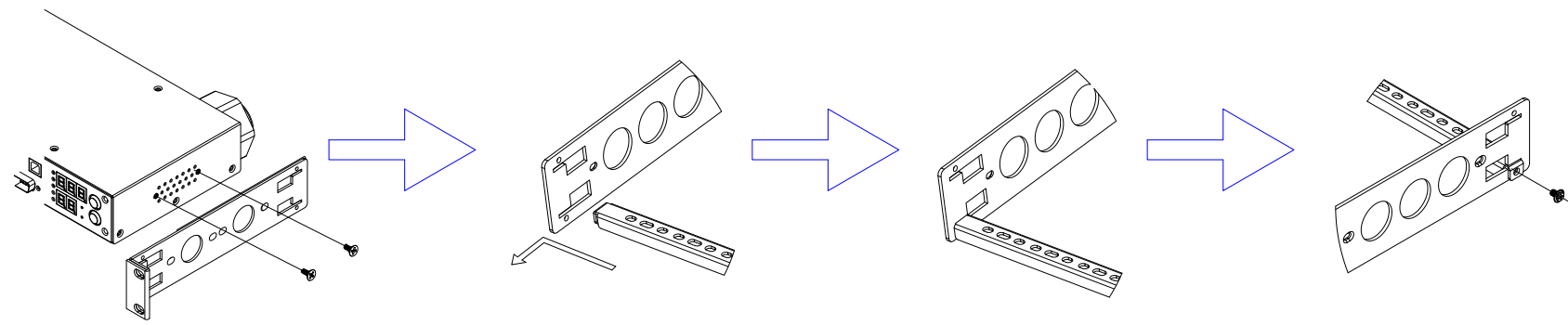


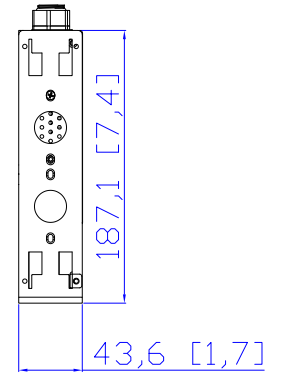


NEMA L5-20P PSE

VIEW A



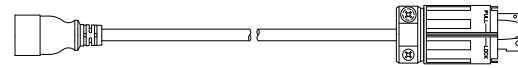
VIEW B



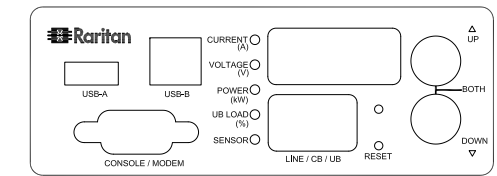
Rear



IEC60320 C19 NEMA L5-20P PSE

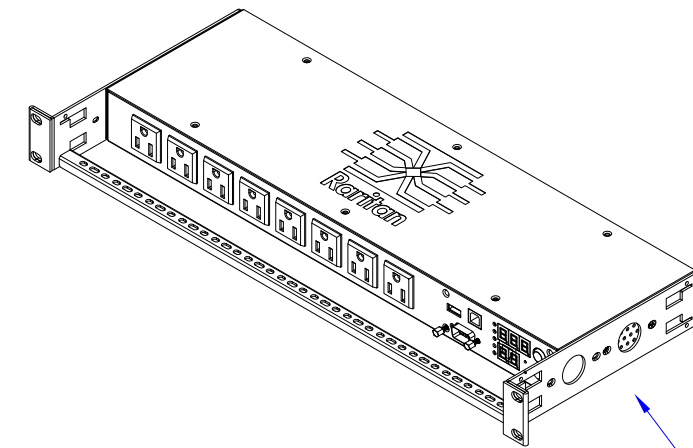
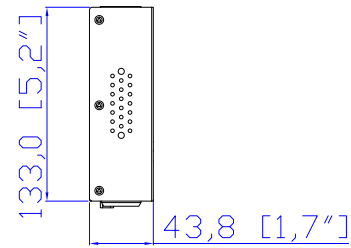
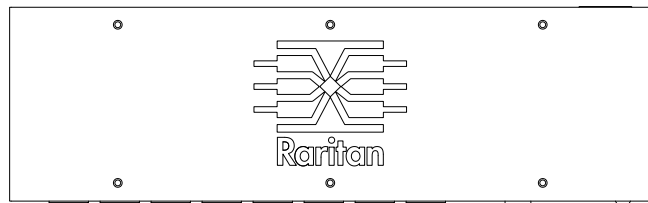


See VIEW A



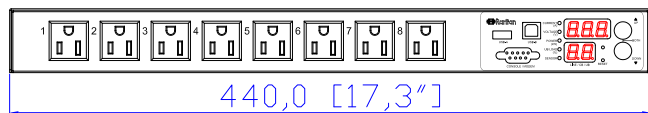
VIEW C

TOP



See VIEW B

Front



440,0 [17,3"]

See VIEW C

NOTES:  
1.ALL DIMENSIONS ARE MILLIMETERS[INCHES].

<p><b>Raritan</b> www.raritan.com</p>	PROJECTION THIRD ANGLE	DO NOT SCALE DRAWING	TITLE: iPDU One U, Single Phase, 16A/100V Inlet Type:IEC60320 C20, Plug Type:NEMA L5-20P PSE Outlet Type (8) NEMA 5-15R
	SHEET 1 OF 1		DWG NO. <b>MPX2-1158JR</b>
DRAWN : Eva Lin	Jul. 29,2013	REV. <b>A</b>	
ENGINEER: Kenny_C	Jul. 29,2013		
APPROVED: Tom_H	Jul. 29,2013		

THIS DRAWING AND SPECIFICATIONS HEREIN ARE THE PROPERTY OF RARITAN, INC. AND SHALL NOT BE COPIED, REPRODUCED OR USED, IN WHOLE OR IN PART, AS THE BASIS FOR THE MANUFACTURE OR SALE OF ITEMS WITHOUT WRITTEN PERMISSION FROM RARITAN, INC. THIS DRAWING IS BASED UPON LATEST AVAILABLE INFORMATION AND IS SUBJECT TO CHANGE WITHOUT NOTICE.