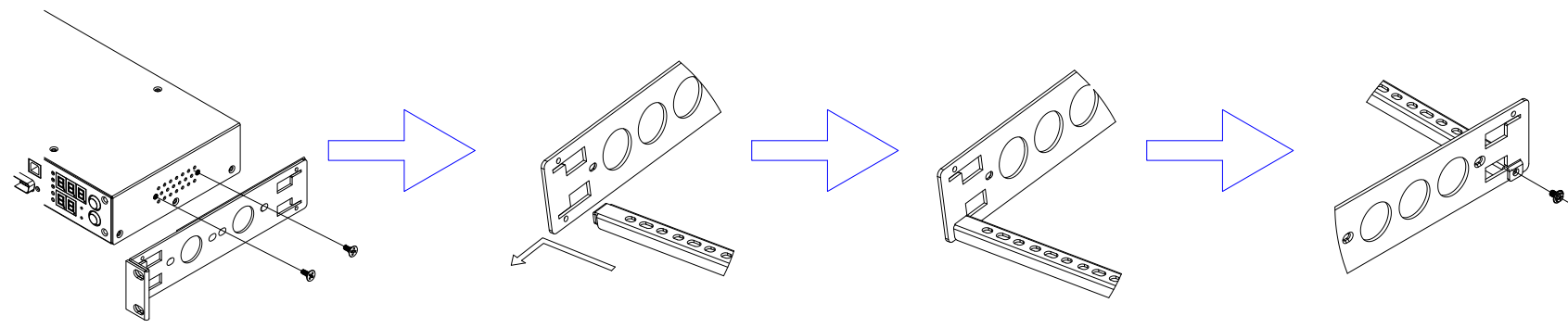
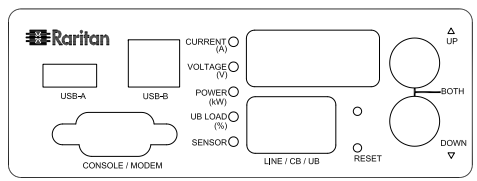
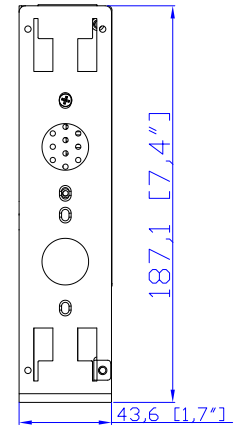


NEMA L5-20P

VIEW A



VIEW B

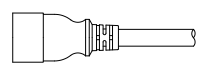


VIEW C

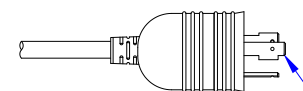
Rear



IEC60320 C19

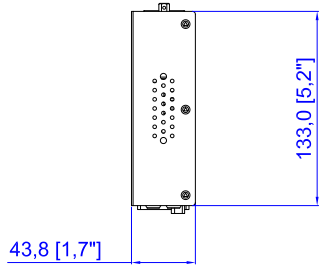
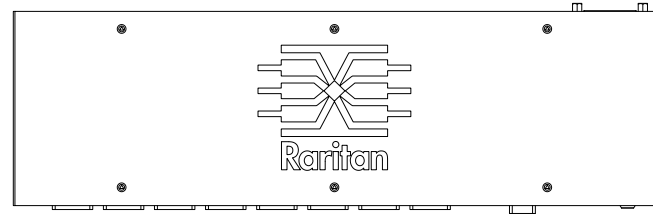


NEMA L5-20P



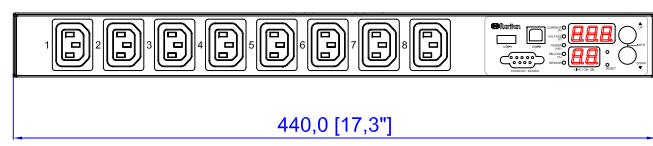
See VIEW A

TOP



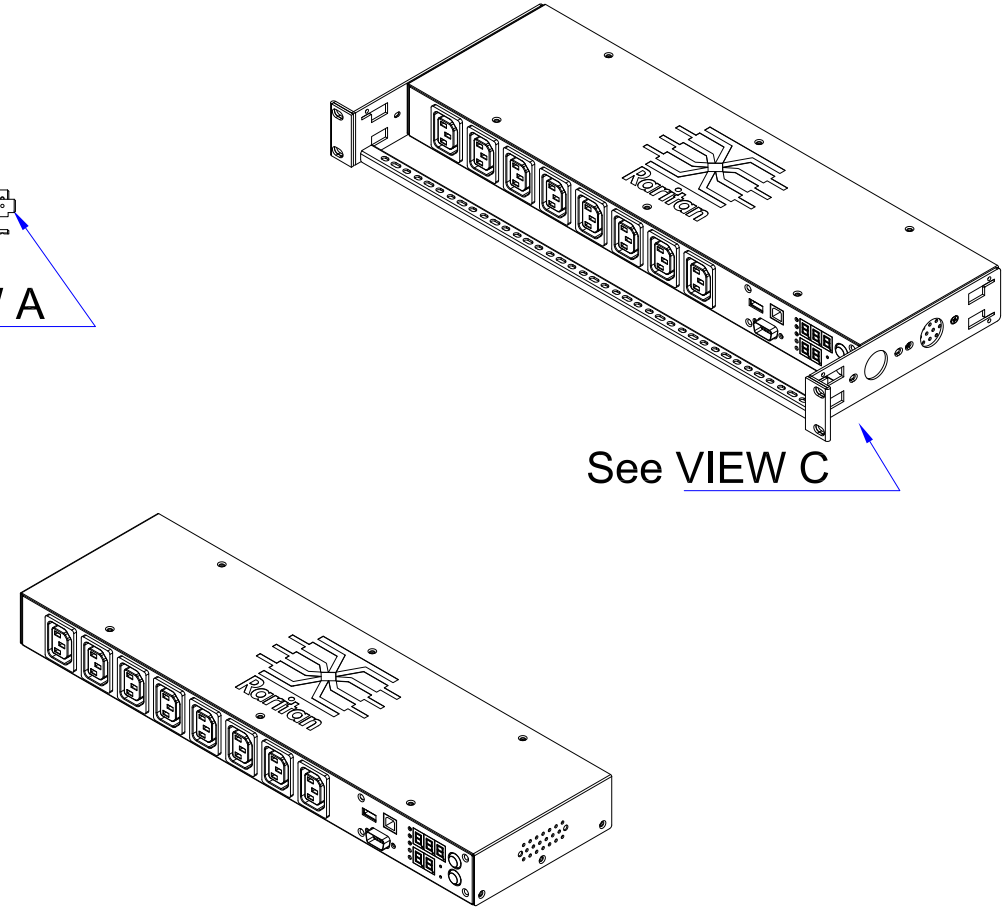
See VIEW C

Front



440.0 [17.3"]

See VIEW B



NOTES:
1.ALL DIMENSIONS ARE MILLIMETERS[INCHES].

Raritan www.raritan.com		PROJECTION THIRD ANGLE	DO NOT SCALE DRAWING SHEET 1 OF 1	TITLE: iPDU One U, Single Phase, 16A/100-120V Input: NEMA L5-20P , Output (8)IEC320 C13
DRAWN : Eva LIN Apr. 13,2011	ENGINEER: Sam Apr. 13,2011	THIS DRAWING AND SPECIFICATIONS HEREIN ARE THE PROPERTY OF RARITAN, INC. AND SHALL NOT BE COPIED, REPRODUCED OR USED, IN WHOLE OR IN PART, AS THE BASIS FOR THE MANUFACTURE OR SALE OF ITEMS WITHOUT WRITTEN PERMISSION FROM RARITAN, INC. THIS DRAWING IS BASED UPON LATEST AVAILABLE INFORMATION AND IS SUBJECT TO CHANGE WITHOUT NOTICE.		DWG NO. MPX2-1166R
APPROVED: Kevin_C Apr. 13,2011				REV. A