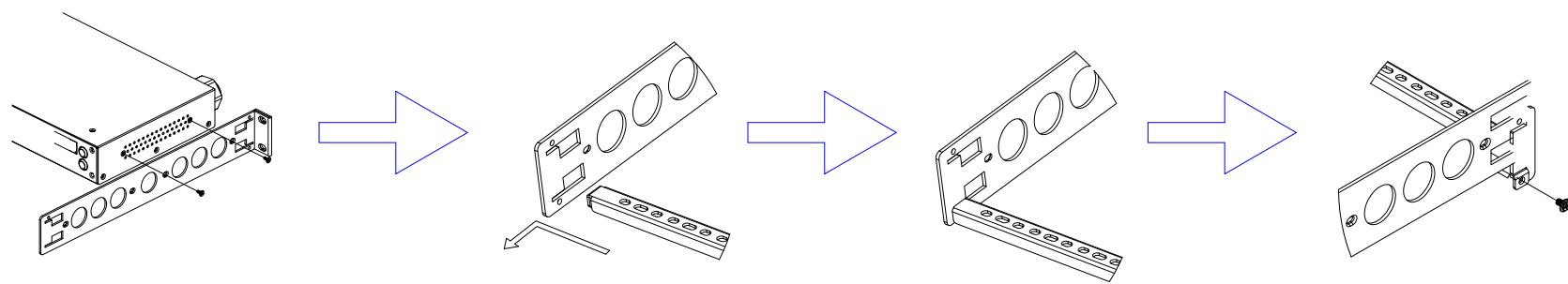


NEMA L6-30P

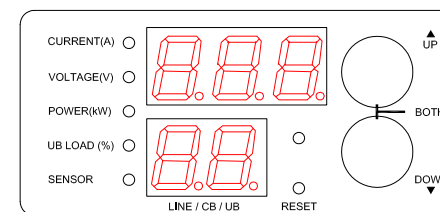
VIEW A



VIEW B

31,9 [1,3]

223,4 [8,8]



VIEW C

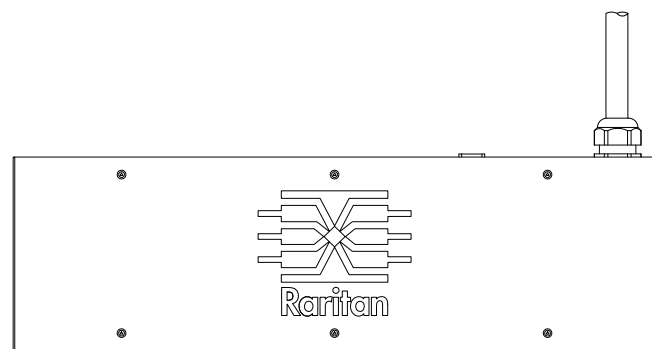
Rear



NEMA L6-30P

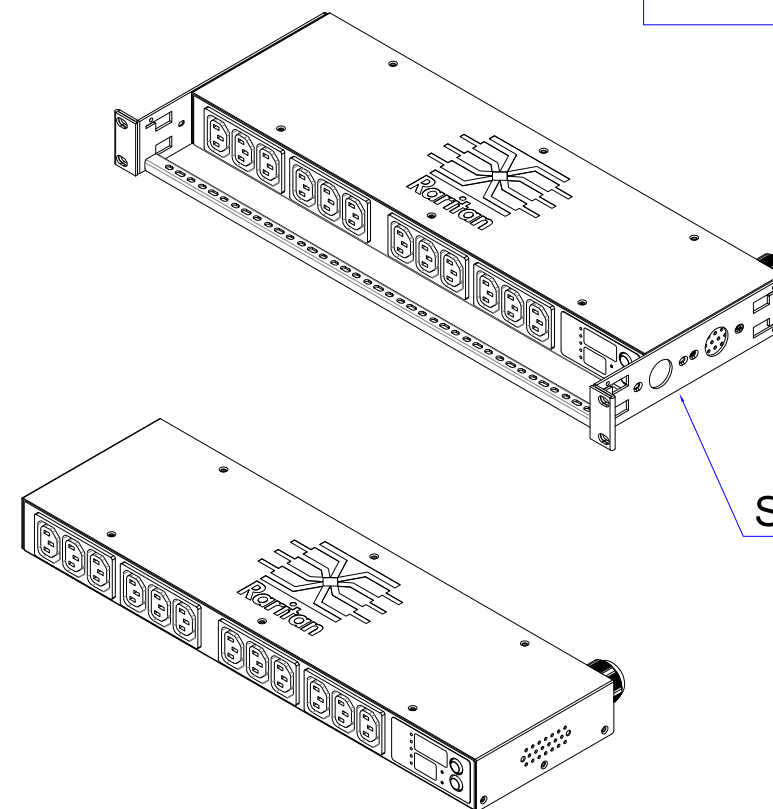
See VIEW A

TOP



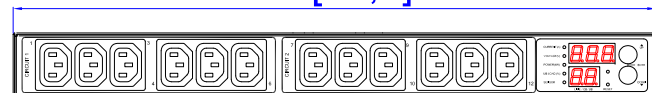
133 [5,2]

44 [1,7]



See VIEW B

Front



440 [17,3]

See VIEW C

NOTES:  
1.ALL DIMENSIONS ARE MILLIMETERS[INCHES].



PROJECTION  
THIRD ANGLE

DO NOT SCALE DRAWING  
SHEET 1 OF 1

THIS DRAWING AND SPECIFICATIONS HEREIN ARE THE PROPERTY OF RARITAN, INC. AND SHALL NOT BE COPIED, REPRODUCED OR USED, IN WHOLE OR IN PART, AS THE BASIS FOR THE MANUFACTURE OR SALE OF ITEMS WITHOUT WRITTEN PERMISSION FROM RARITAN, INC. THIS DRAWING IS BASED UPON LATEST AVAILABLE INFORMATION AND IS SUBJECT TO CHANGE WITHOUT NOTICE.

TITLE: iPDU One U,  
Single Phase, 24A/200-240V  
Plug Type : NEMA L6-30P,  
Output Type: (12)IEC320 C13

Drawing Maker: Eva Lin Mar.09,2015  
Design Engineer: Siang\_H Mar.09,2015  
Approver: Kevin\_C Mar.09,2015

DWG NO. **MPX2-1284R** REV. **0B**