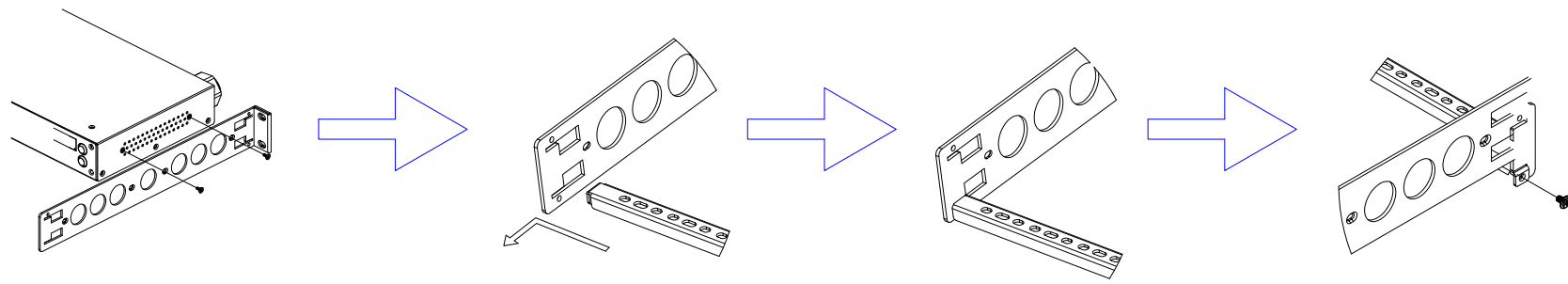


IEC60309 32A

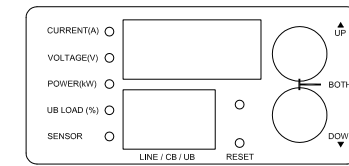
VIEW A



VIEW B

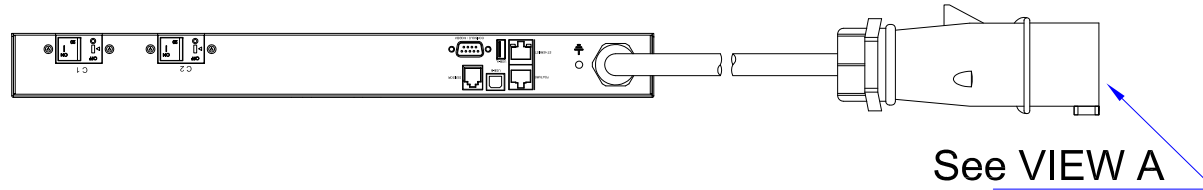
31,9 [1,3]

223,4 [8,8]



VIEW C

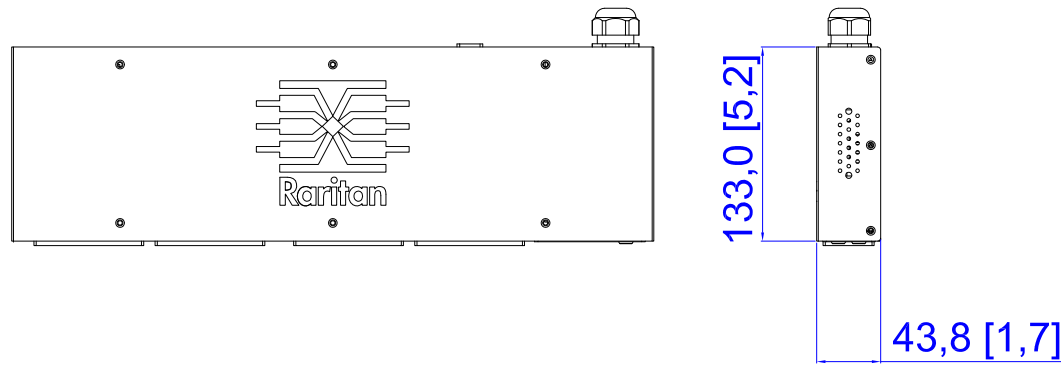
Rear



IEC60309 32A

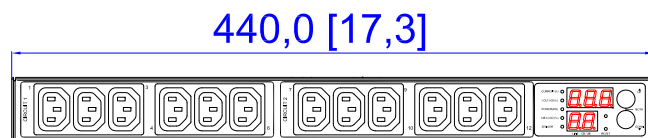
See VIEW A

TOP



See VIEW B

Front



NOTES:
1.ALL DIMENSIONS ARE MILLIMETERS(INCHES).



PROJECTION
THIRD ANGLE

DO NOT SCALE DRAWING

SHEET 1 OF 1

THIS DRAWING AND SPECIFICATIONS HEREIN ARE THE PROPERTY OF RARITAN, INC. AND SHALL NOT BE COPIED, REPRODUCED OR USED, IN WHOLE OR IN PART, AS THE BASIS FOR THE MANUFACTURE OR SALE OF ITEMS WITHOUT WRITTEN PERMISSION FROM RARITAN, INC. THIS DRAWING IS BASED UPON LATEST AVAILABLE INFORMATION AND IS SUBJECT TO CHANGE WITHOUT NOTICE.

TITLE: iPDU One U,
Single Phase, 32A/200-240V
Plug Type : IEC60309 32A ,
OutputType: (12)IEC320 C13

DWG NO. **MPX2-1292R** REV. **A**

| | | |
|-----------|---------|--------------|
| DRAWN : | Eva Lin | Jan.20, 2014 |
| ENGINEER: | Siang_H | Jan.20, 2014 |
| APPROVED: | Kevin_C | Jan.20, 2014 |