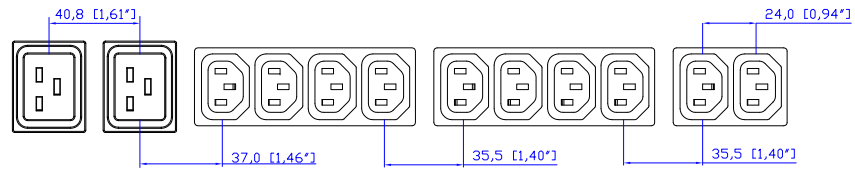
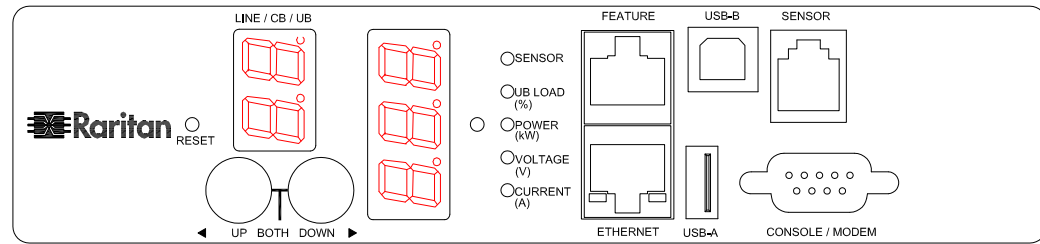


NEMA L6-30P PSE

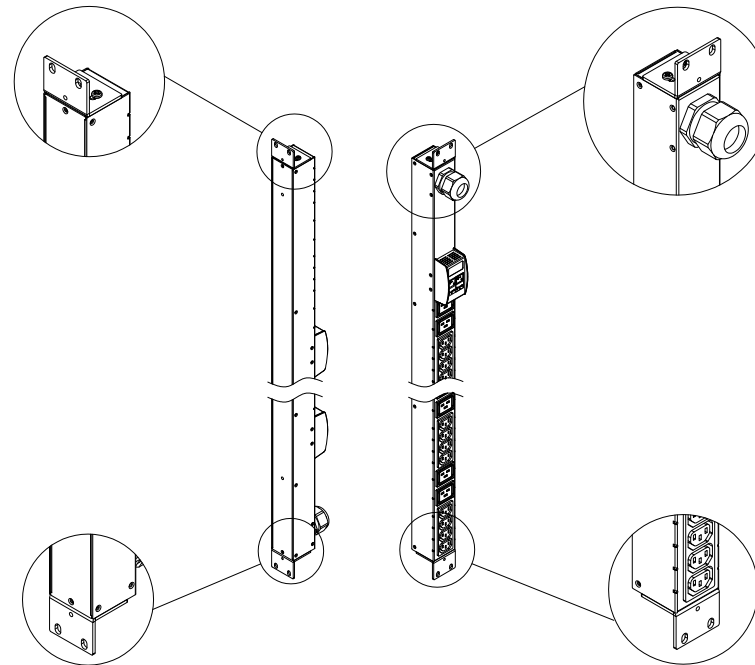
VIEW A



VIEW B



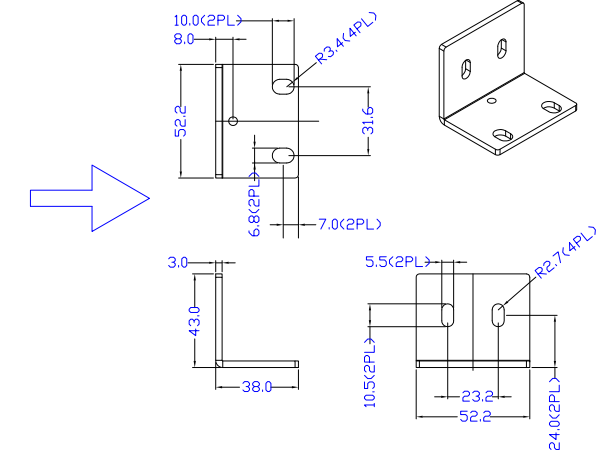
VIEW C



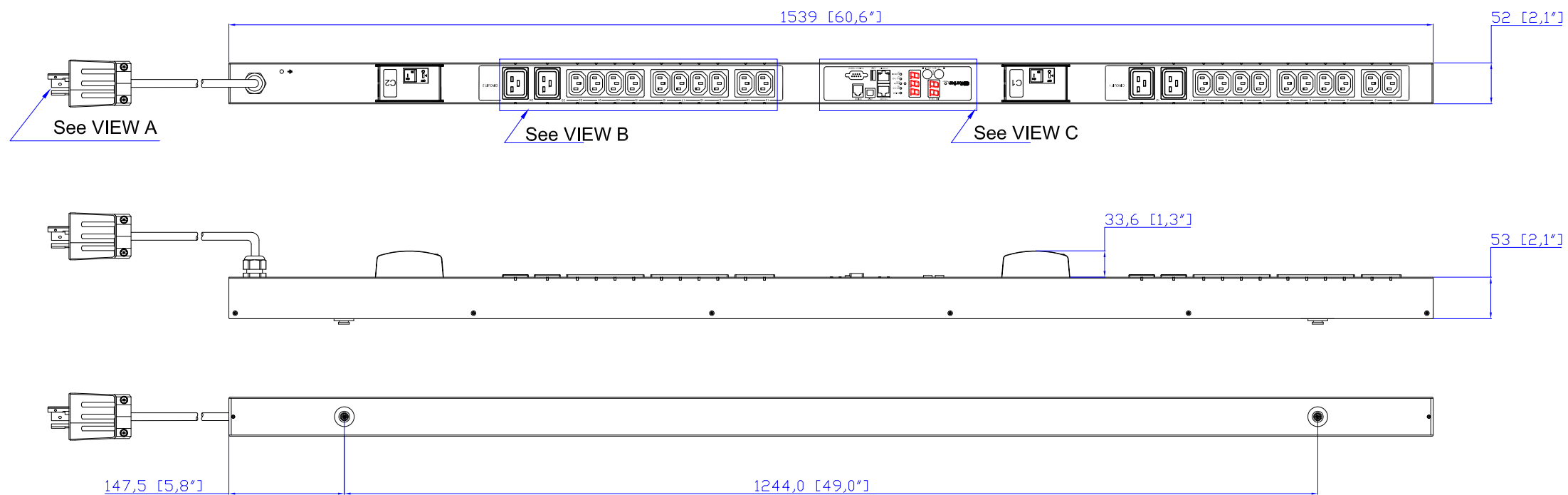
Option A

Option B

Mounting options



Rack mount L type detailed



NOTES:
1.ALL DIMENSIONS ARE MILLIMETERS[INCHES].



DO NOT SCALE DRAWING
SHEET 1 OF 1
THIS DRAWING AND SPECIFICATIONS HEREIN ARE THE PROPERTY OF RARITAN, INC. AND SHALL NOT BE COPIED, REPRODUCED OR USED, IN WHOLE OR IN PART, AS THE BASIS FOR THE MANUFACTURE OR SALE OF ITEMS WITHOUT WRITTEN PERMISSION FROM RARITAN, INC. THIS DRAWING IS BASED UPON LATEST AVAILABLE INFORMATION AND IS SUBJECT TO CHANGE WITHOUT NOTICE.

TITLE:
iPDU Zero U
Single phase 30A / 200V
Plug Type:NEMA L6-30P PSE
Outlet Type: (20)IEC320 C13,(4)IEC320 C19

Drawing Maker:	EVA LIN	Dec.18, 2015
Design Engineer:	Siang_H	Dec.18, 2015
Approver:	Tom_H	Dec.18, 2015

DWG NO. **MPX2-1497J** REV. **0A**