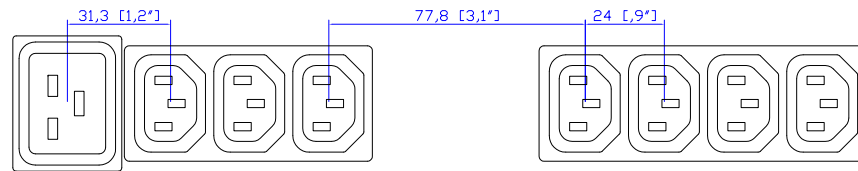
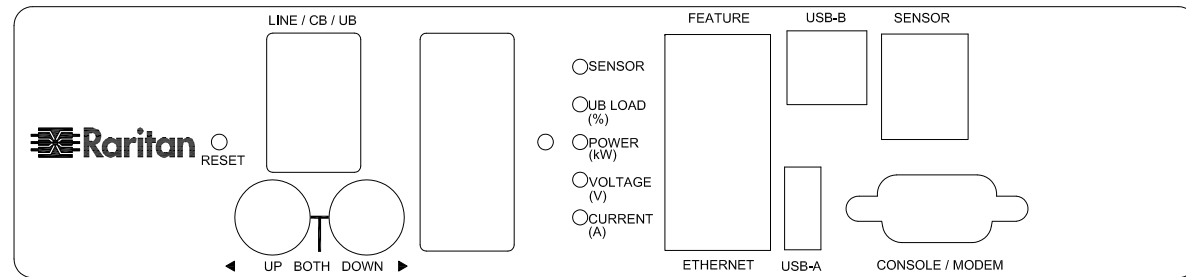


IEC60309 32A 3PY

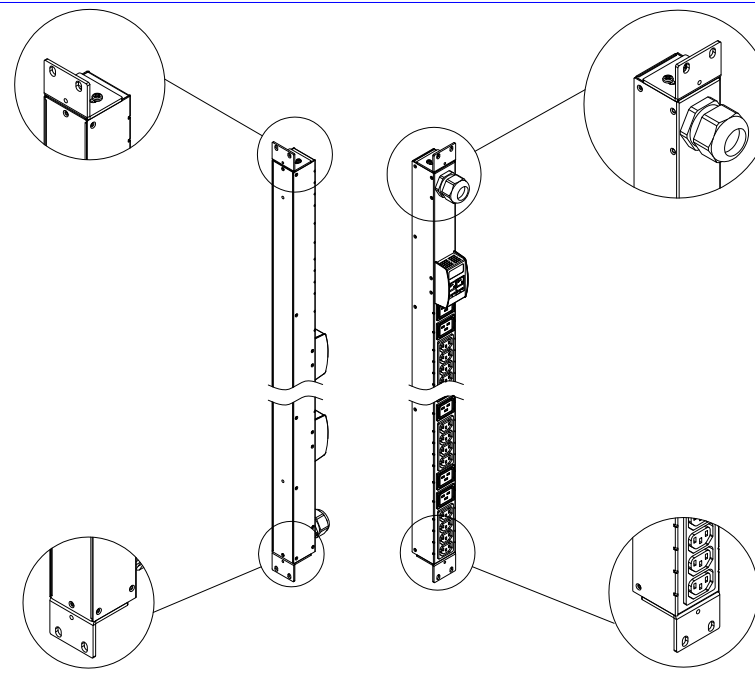
VIEW A



VIEW B

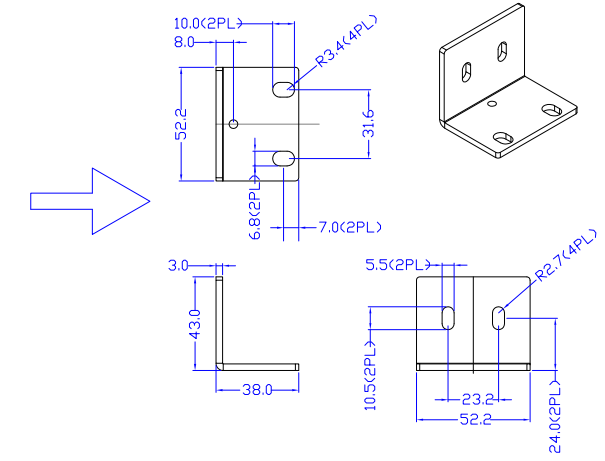


VIEW C



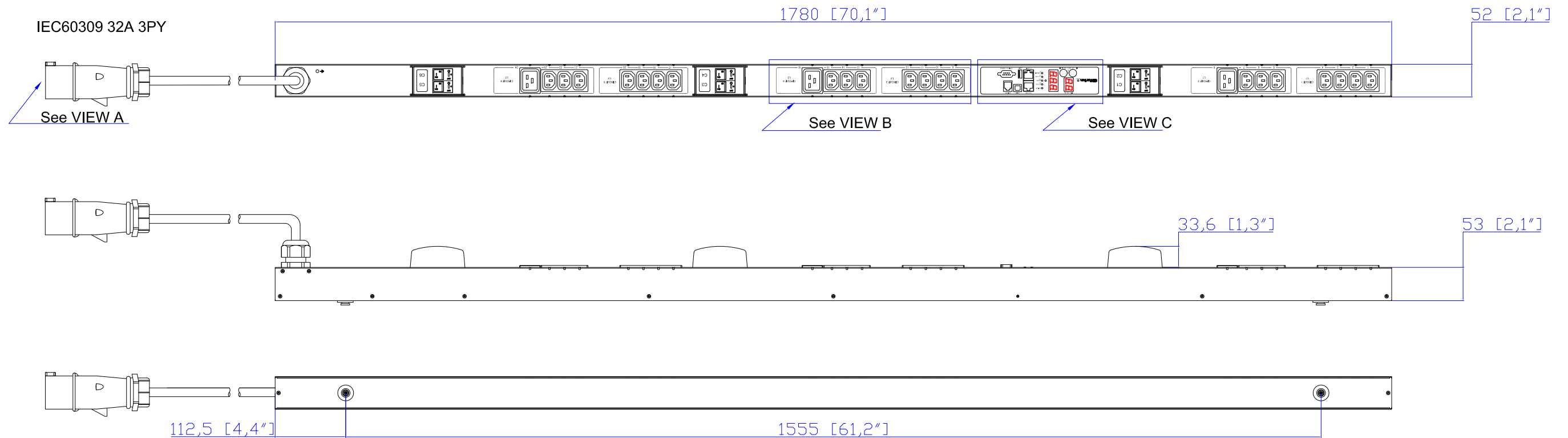
Option A

Option B



Rack mount L type detailed

Mounting options



NOTES:
1.ALL DIMENSIONS ARE MILLIMETERS(INCHES).

 www.raritan.com	 PROJECTION THIRD ANGLE	DO NOT SCALE DRAWING	TITLE: iPDU Zero U Three Phase, 32A/380V-415V Plug Type: IEC60309 32A 3PY Outlet Type: (2)IEC320 C13 & (3)IEC320 C19
		SHEET 1 OF 1	
Drawing Maker: EVA_Lin Dec. 01, 2014 Design Engineer: Kenny_C Dec. 01, 2014 Approver: Tom_H Dec. 01, 2014	THIS DRAWING AND SPECIFICATIONS HEREIN ARE THE PROPERTY OF RARITAN, INC. AND SHALL NOT BE COPIED, REPRODUCED OR USED, IN WHOLE OR IN PART, AS THE BASIS FOR THE MANUFACTURE OR SALE OF ITEMS WITHOUT WRITTEN PERMISSION FROM RARITAN, INC. THIS DRAWING IS BASED UPON LATEST AVAILABLE INFORMATION AND IS SUBJECT TO CHANGE WITHOUT NOTICE..		DWG NO. MPX2-1530 REV. 0B