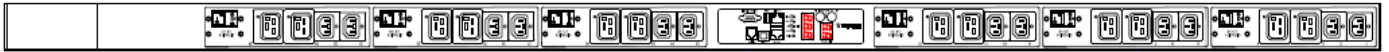


## Technical Specifications / Engineering Submittals

Raritan Model Number: PX2-1551YV-E2V2

rev20180131

### LINE DRAWING



### FEATURES

<b>Energy Metering</b>	Voltage (V), Current (A), Active Power (kW), Real Power (kVA), Energy (kWh), Power Factor
<b>Metering Accuracy</b>	ISO/IEC 62053-21 1%
<b>Metering per Input Line</b>	Yes
<b>Metering per Branch Circuit Breaker</b>	Yes
<b>Metering per Output Receptacle</b>	No
<b>Remote Outlet Switching</b>	No
<b>Environmental Sensor Ready</b>	Yes
<b>Replaceable Controller</b>	No
<b>Compatible Sensors</b>	Temperature, Humidity, Air Flow, Differential Pressure, Water Leak, and Contact Closure
<b>Networking</b>	(10/100 BaseT) Ethernet port. Optional WiFi (802.11a/b/g/n)
<b>Remote Management</b>	HTTP(s); SSH; Telnet; RS-232 (Serial); Power IQ; SNMP version v2/v3; SMTP; JSON-RPC
<b>Cascading</b>	Yes, Max 8 PDUs can be daisy chained using USB connection
<b>Onboard Display</b>	3-digit LED user-selectable display : Voltage, current, or active power (per line or per breaker); Auto-flip orientation
<b>Embedded Processor</b>	ARM9 400MHZ (Atmel SAM9G20), 16MB NOR Flash, 64MB SDRAM

## Technical Specifications / Engineering Submittals

Raritan Model Number: PX2-1551YV-E2V2

rev20180131

### INPUT

Input Plug	AC Terminal (N/A)
Cord Length	N/A
Cord Entry	Bottom-bottom feed
Cable Type	
Number of Power Cords	N/A
Maximum Input Current	48A
Nominal Input Voltage	208V 3 phase
Rated Input Voltage	208 - 240V 3 phase
Input Frequency	50/60Hz
Power Capacity	17.3kVA at 208V, 20.0kVA at 240V

### OUTPUT

Nominal Output Voltage	208V
Rated Output Voltage	208 - 240V
Receptacles (Output Connections)	(12) IEC60320 C13 Locking, 12A (12) IEC60320 C19 Locking, 16A
Securelock Support	Yes
Cord Retention	No
Overload Protection	(6) LEGBX66-20

### PHYSICAL

Color	Black powder coat (custom colors available)
Unit Dimensions (WxDxH)	2.3" x 3.2" x 70.1" ; 59mm x 80mm x 1780mm
Unit Weight	5.5 kg
Shipping Weight	8.5 kg
Shipping Dimensions (WxDxH)	12.99" x 5.51" x 80.2" ; 330mm x 140mm x 2037mm
Mounting	G3-RACK-FOR-ZU

## Technical Specifications / Engineering Submittals

Raritan Model Number: PX2-1551YV-E2V2

rev20180131

### ENVIRONMENTAL

---

Operating Temperature	60°C
Operating Relative Humidity	85%
Operating Elevation	0-10000ft

---

### CONFORMANCE

---

Regulatory Approvals	UL Listed, Canada ICES-003, Part 15 Class A of the FCC rules, RoHS compliant
Warranty	Standard 2 years manufacturer warranty

---

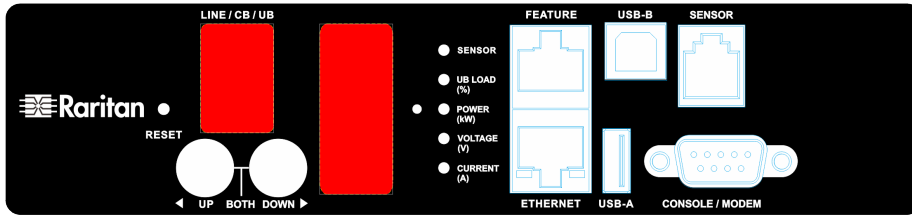
## Technical Specifications / Engineering Submittals

Raritan Model Number: PX2-1551YV-E2V2

rev20180131

### CONTROL PANEL

Dimension: 188mm x 43mm

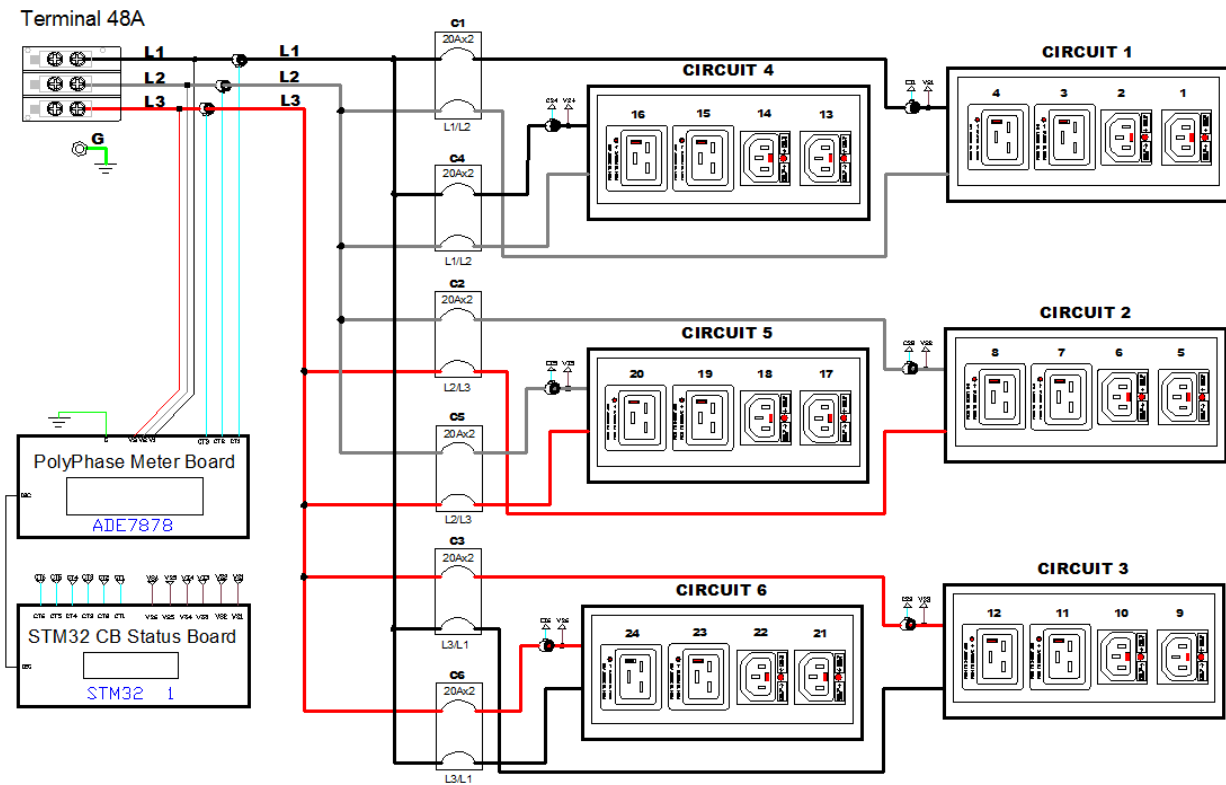


## Technical Specifications / Engineering Submittals

Raritan Model Number: PX2-1551YV-E2V2

rev20180131

### ELECTRICAL (ONE LINE) DIAGRAM



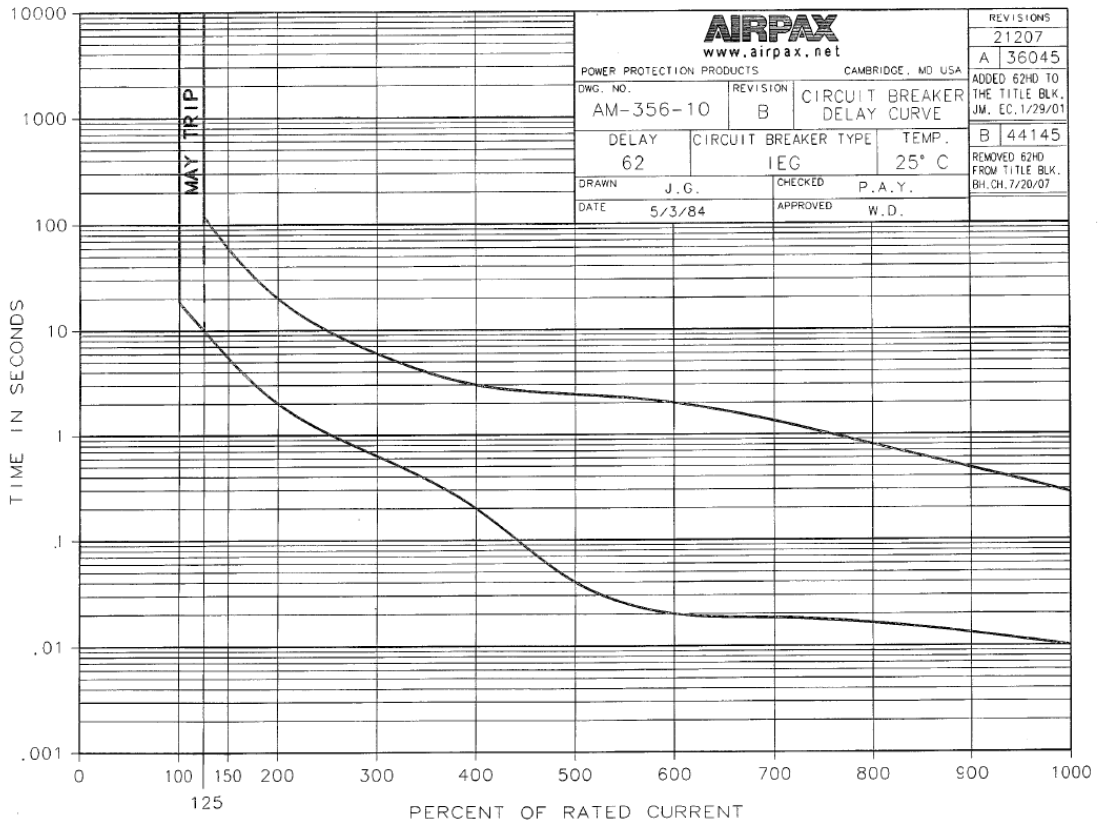


**Technical Specifications / Engineering Submittals**

Raritan Model Number: PX2-1551YV-E2V2

rev20180131

**TRIP CURVE**



C-1009-1 5/98 32556

0  
C