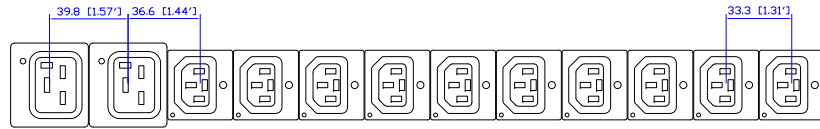


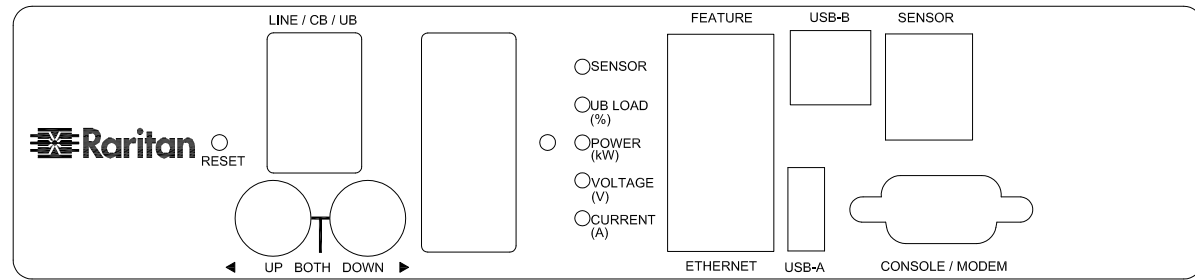


NEMA L21-30P

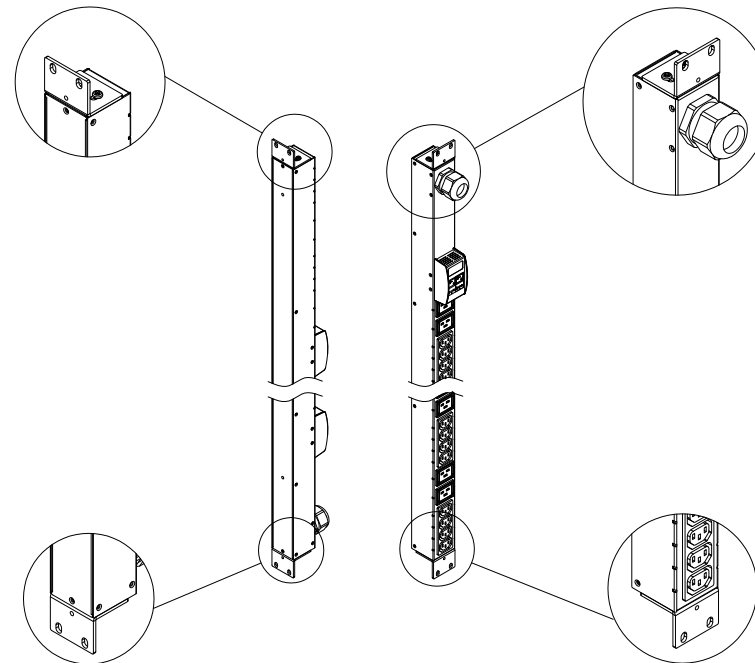
VIEW A



VIEW B

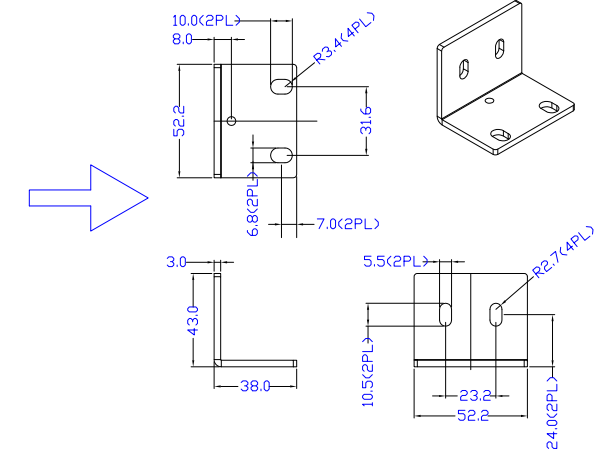


VIEW C



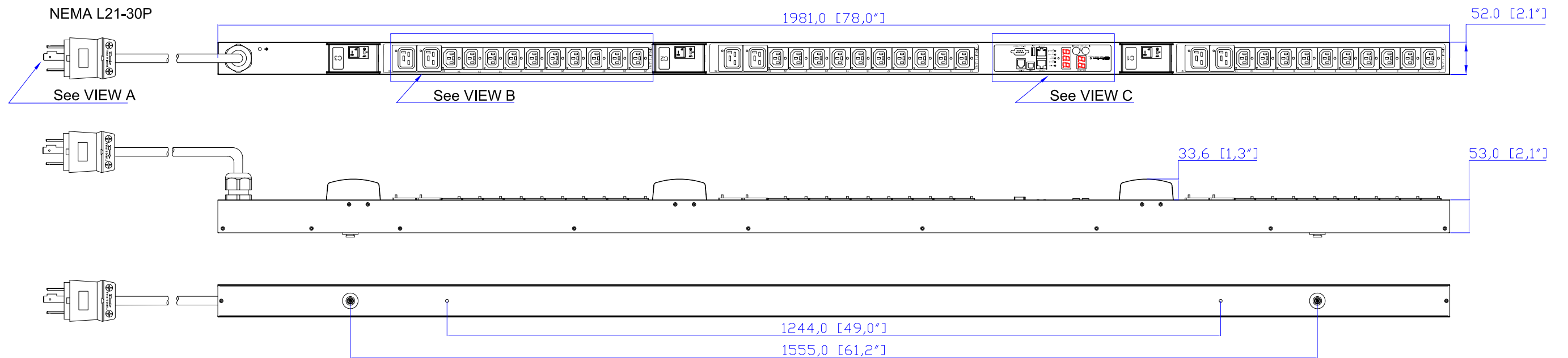
Option A

Option B



Rack mount L type detailed

Mounting options



NOTES:
1.ALL DIMENSIONS ARE MILLIMETERS[INCHES].



DRAWN : EVA LIN Aug. 20, 2014
ENGINEER: Kenny_C Aug. 20, 2014
APPROVED: TOM_H Aug. 20, 2014



DO NOT SCALE DRAWING

SHEET 1 OF 1

THIS DRAWING AND SPECIFICATIONS HEREIN ARE THE PROPERTY OF RARITAN, INC. AND SHALL NOT BE COPIED, REPRODUCED OR USED, IN WHOLE OR IN PART, AS THE BASIS FOR THE MANUFACTURE OR SALE OF ITEMS WITHOUT WRITTEN PERMISSION FROM RARITAN, INC. THIS DRAWING IS BASED UPON LATEST AVAILABLE INFORMATION AND IS SUBJECT TO CHANGE WITHOUT NOTICE.

TITLE:
iPDU Zero U,
Three phase 24A / 190-208V
Plug Type: NEMA L21-30P
Output Type: (30)Locking C13+(6)Locking C19

DWG NO. **PX2-1721-E2** REV. **A**