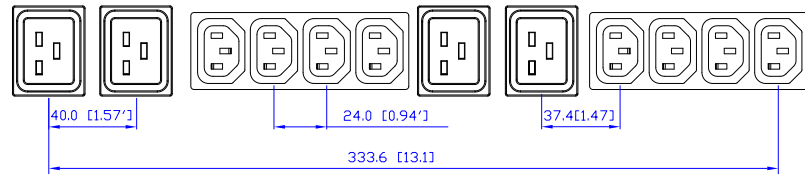
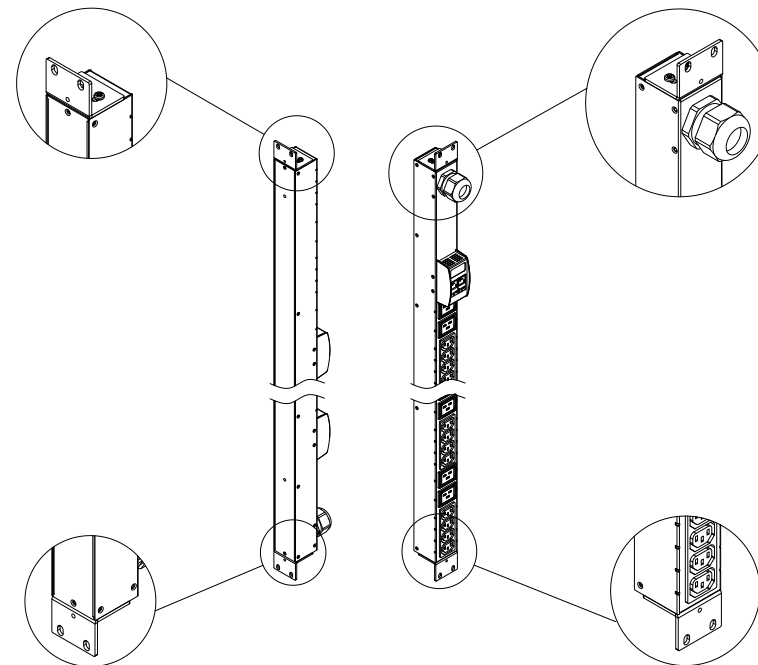


NEMA L21-30P

VIEW A

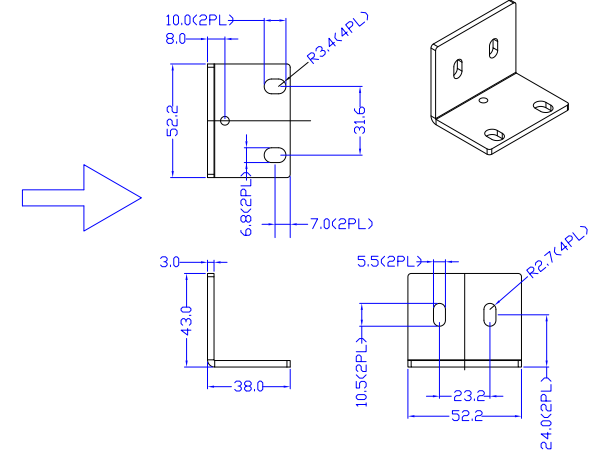


VIEW B

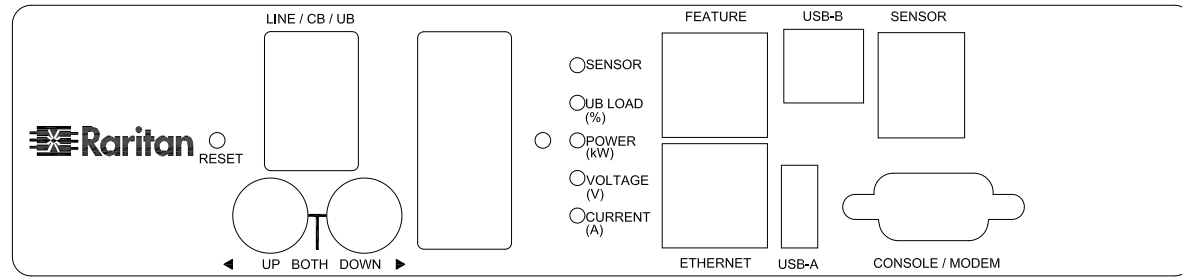


Option A

Option B



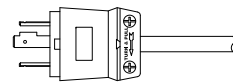
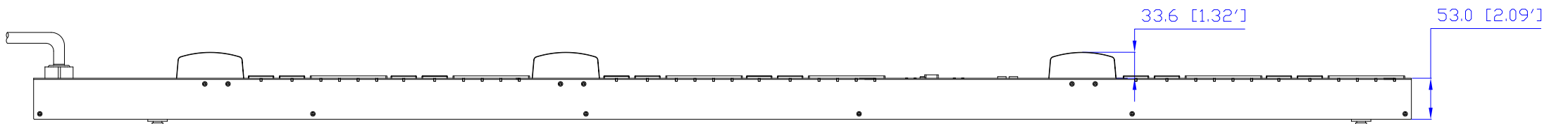
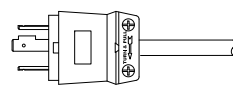
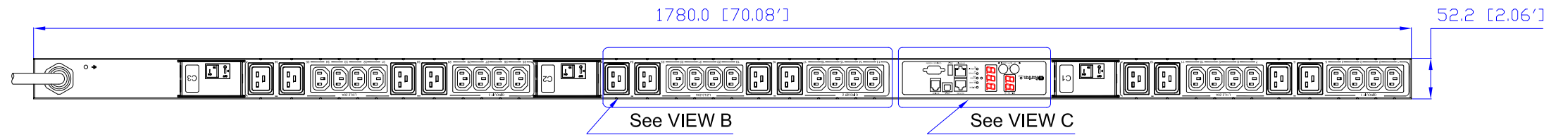
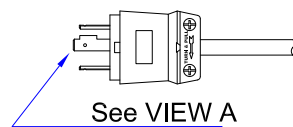
Rack mount L type detailed



VIEW C

Mounting options

NEMA L21-30P



NOTES:
1. ALL DIMENSIONS ARE MILLIMETERS [INCHES].



DO NOT SCALE DRAWING

SHEET 1 OF 1

THIS DRAWING AND SPECIFICATIONS HEREIN ARE THE PROPERTY OF RARITAN, INC. AND SHALL NOT BE COPIED, REPRODUCED OR USED, IN WHOLE OR IN PART, AS THE BASIS FOR THE MANUFACTURE OR SALE OF ITEMS WITHOUT WRITTEN PERMISSION FROM RARITAN, INC. THIS DRAWING IS BASED UPON LATEST AVAILABLE INFORMATION AND IS SUBJECT TO CHANGE WITHOUT NOTICE.

TITLE:
iPDU Zero U,
Three phase 24A / 190-208V
Input : NEMA L21-30P
Output : (24)IEC320 C13+(12)IEC320 C19

DWG NO. **MPX2-1725** REV. **A**

| | | |
|-----------|---------|----------------|
| DRAWN : | EVA LIN | Dec. 02 , 2010 |
| ENGINEER: | Kevin_L | Dec. 02 , 2010 |
| APPROVED: | Kevin_C | Dec. 02 , 2010 |