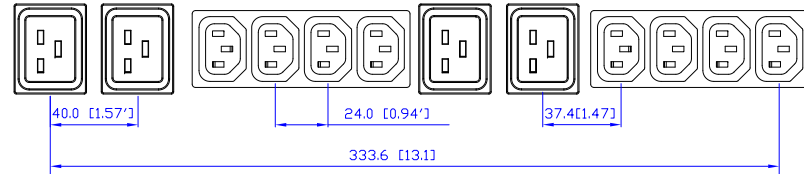
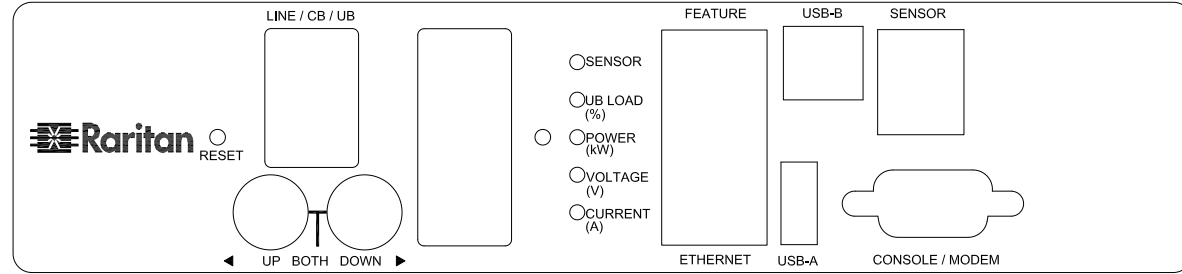


IEC309 32A/400V  
3P+N+PE

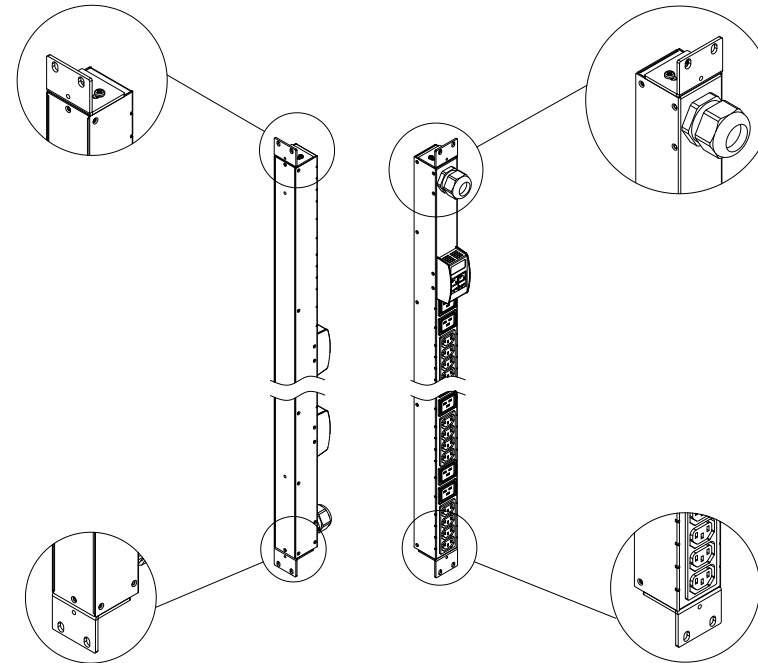
VIEW A



VIEW B

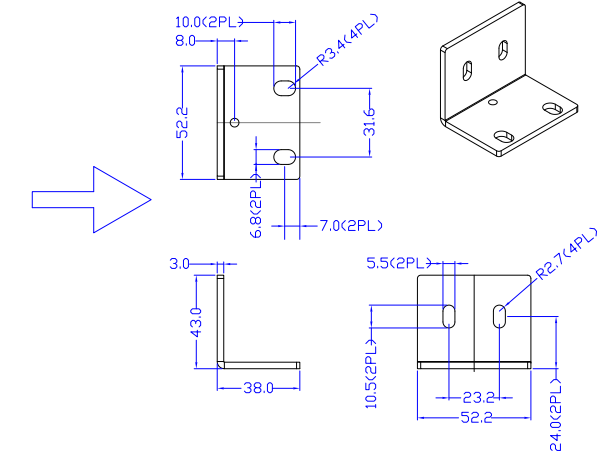


VIEW C



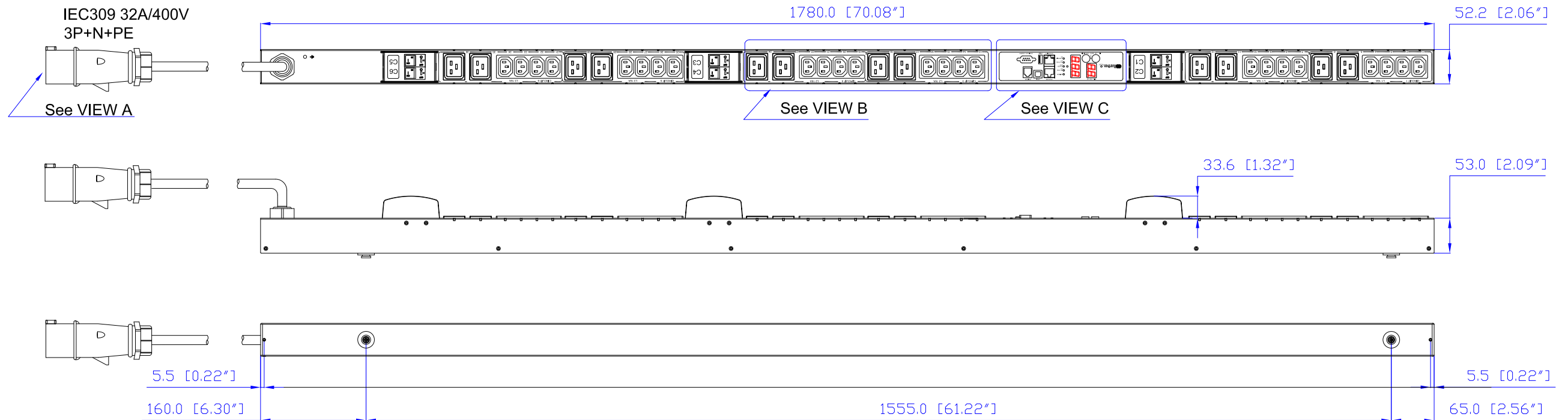
Option A

Option B



Rack mount L type detailed

Mounting options



NOTES:  
1. ALL DIMENSIONS ARE MILLIMETERS [INCHES].

<p><b>Raritan</b> www.raritan.com</p>		PROJECTION THIRD ANGLE	DO NOT SCALE DRAWING	TITLE: iPDU Zero U, Three phase 32A / 380-415V Input : IEC309 32A/400V 3P+N+PE Output : (24)IEC320 C13+(12)IEC320 C19
			SHEET 1 OF 1	
DRAWN : EVA	Jun 28 , 2010	THIS DRAWING AND SPECIFICATIONS HEREIN ARE THE PROPERTY OF RARITAN, INC. AND SHALL NOT BE COPIED, REPRODUCED OR USED, IN WHOLE OR IN PART, AS THE BASIS FOR THE MANUFACTURE OR SALE OF ITEMS WITHOUT WRITTEN PERMISSION FROM RARITAN, INC. THIS DRAWING IS BASED UPON LATEST AVAILABLE INFORMATION AND IS SUBJECT TO CHANGE WITHOUT NOTICE.		DWG NO. <b>MPX2-1730</b>
ENGINEER: Kevin_L	Jun 28 , 2010			
APPROVED: Kevin_C	Jun 28 , 2010			