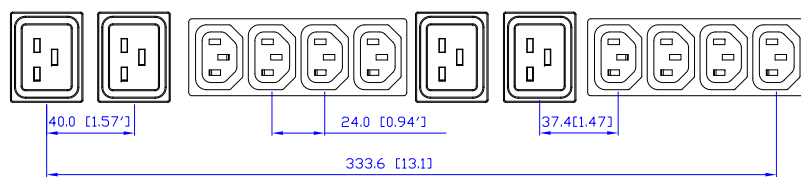


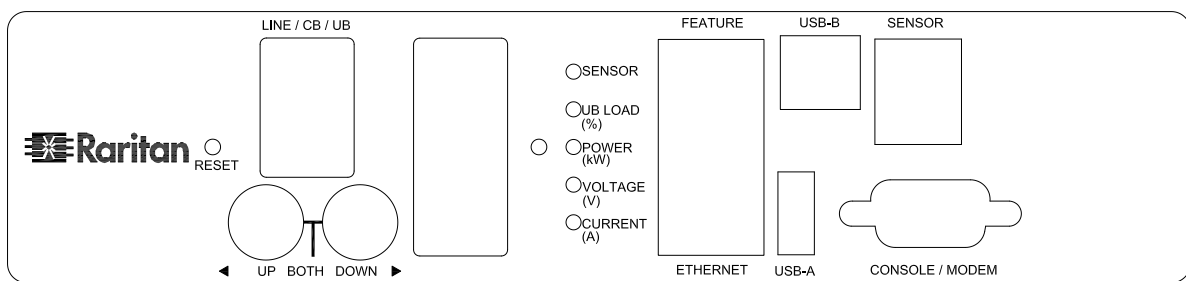


NEMA L22-30P

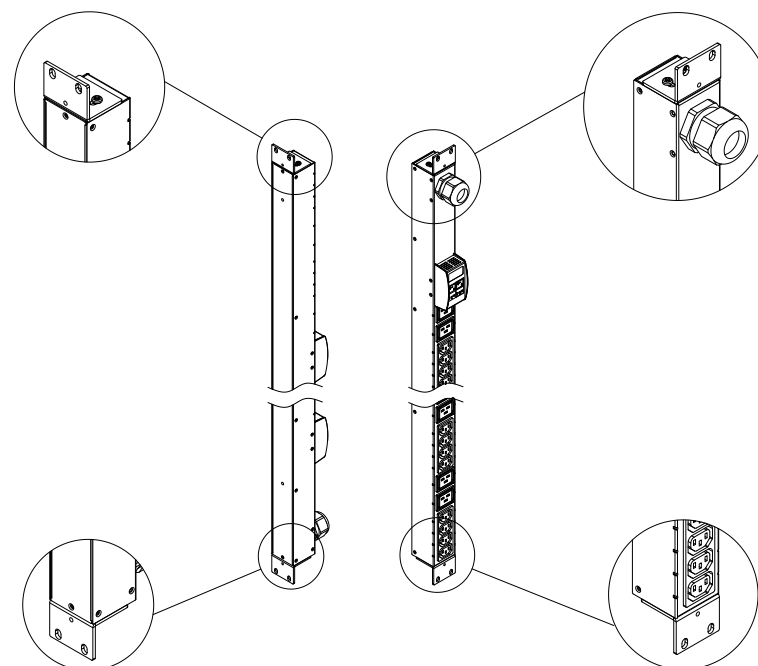
VIEW A



VIEW B

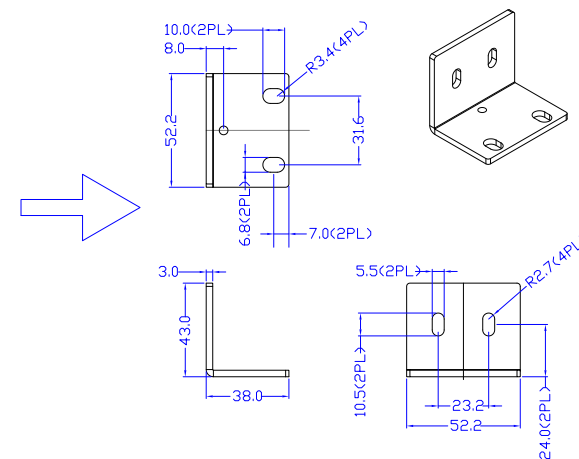


VIEW C



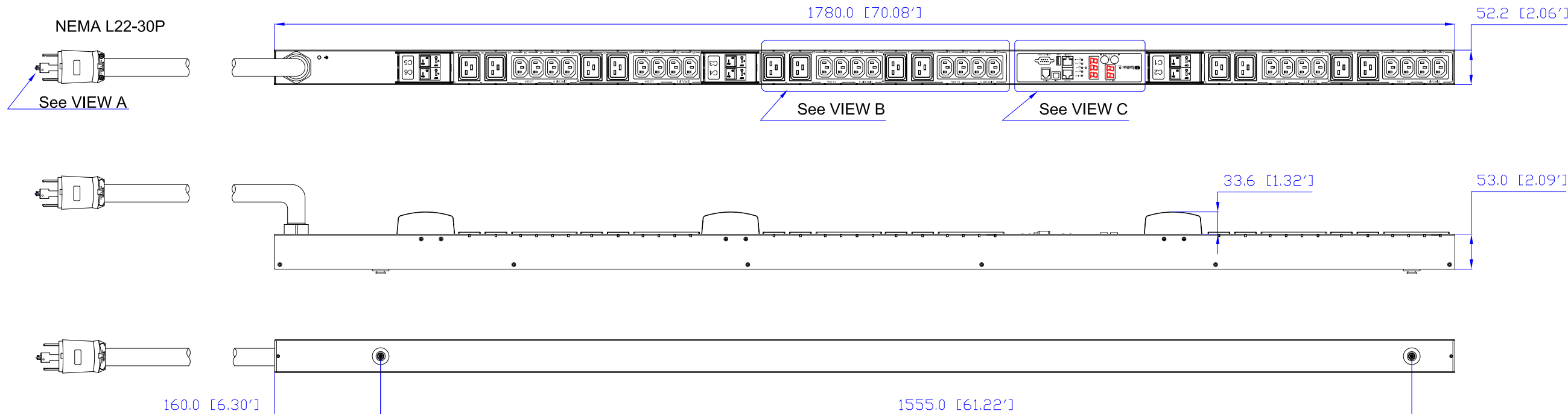
Option A

Option B

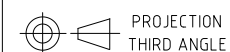


Rack mount L type detailed

Mounting options



NOTES:  
1.ALL DIMENSIONS ARE MILLIMETERS[INCHES].



DO NOT SCALE DRAWING  
SHEET 1 OF 1

THIS DRAWING AND SPECIFICATIONS HEREIN ARE THE PROPERTY OF RARITAN, INC. AND SHALL NOT BE COPIED, REPRODUCED OR USED, IN WHOLE OR IN PART, AS THE BASIS FOR THE MANUFACTURE OR SALE OF ITEMS WITHOUT WRITTEN PERMISSION FROM RARITAN, INC. THIS DRAWING IS BASED UPON LATEST AVAILABLE INFORMATION AND IS SUBJECT TO CHANGE WITHOUT NOTICE.

TITLE:  
iPDU Zero U,  
Three phase 24A / 208-240V  
Input : NEMA L22-30P  
Output : (24)IEC320 C13+(12)IEC320 C19

DWG NO. **MPX2-1731** REV. **A.1**

DRAWN : EVA LIN Aug. 16 , 2010  
ENGINEER: Kevin\_L Aug. 16 , 2010  
APPROVED: Kevin\_C Aug. 16 , 2010