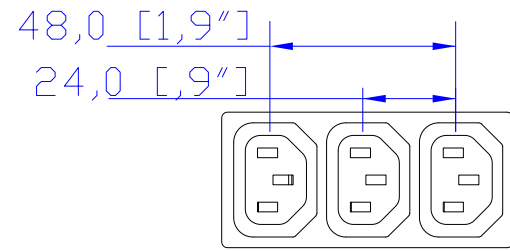
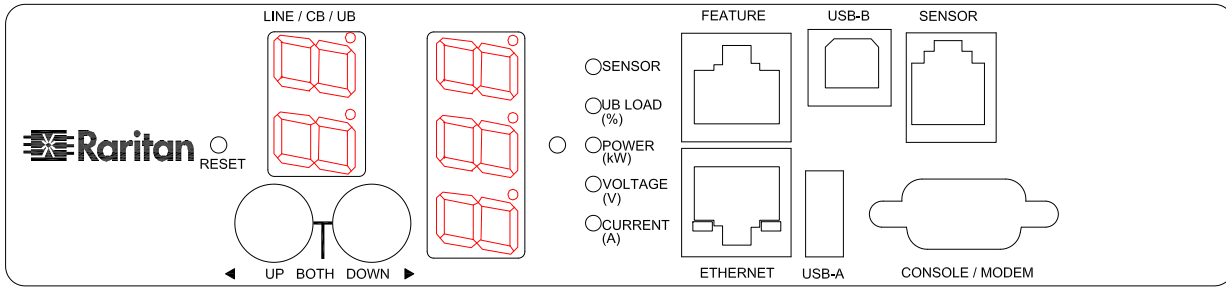


NEMA L6-30P

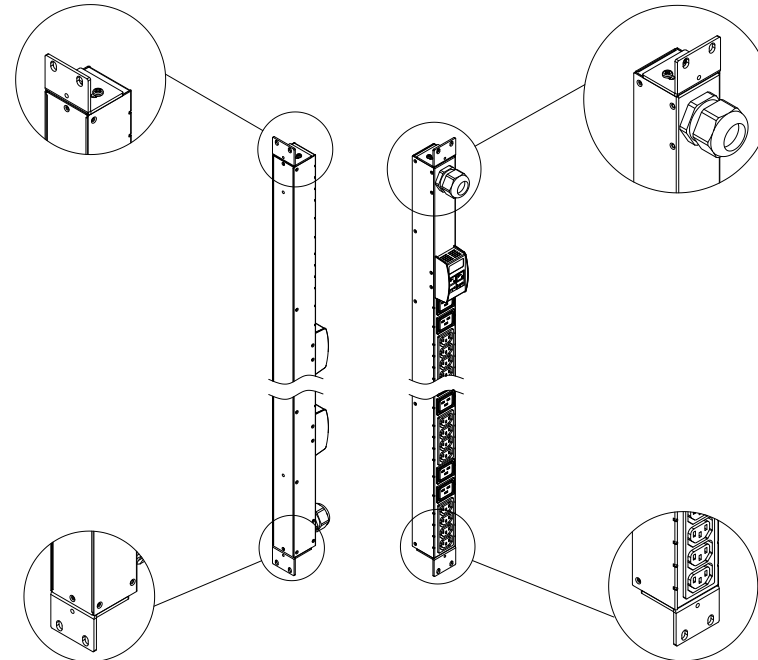
VIEW A



VIEW B

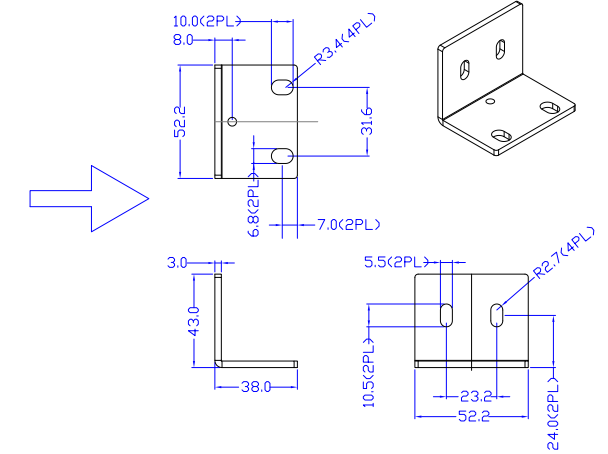


VIEW C



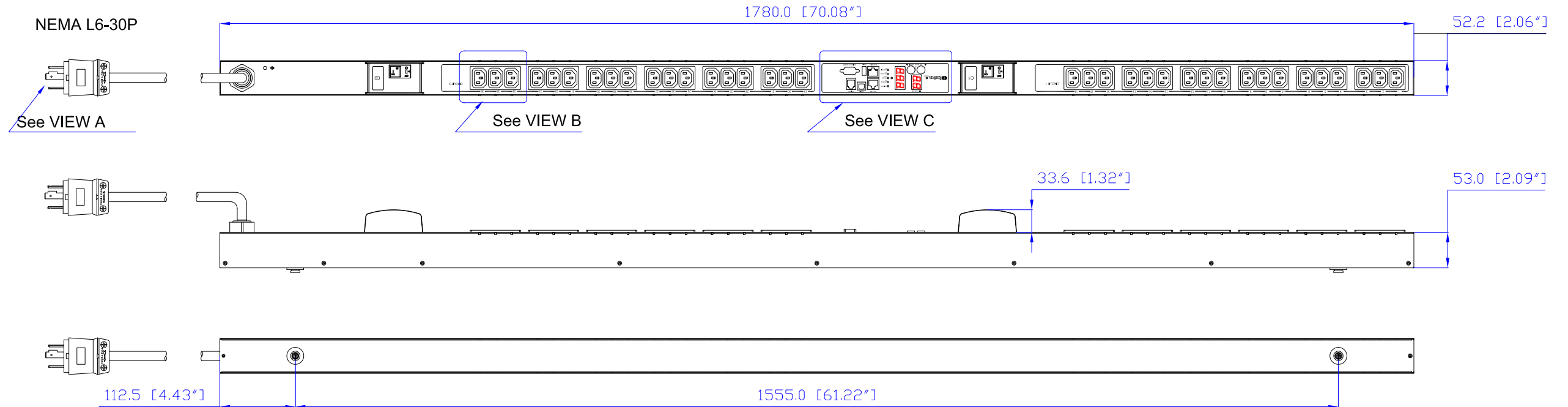
Option A

Option B



Rack mount L type detailed

Mounting options



NOTES:
1.ALL DIMENSIONS ARE MILLIMETERS[INCHES].



DRAWN : EVA Dec. 20,2010
ENGINEER: Kevin_L Dec. 20,2010
APPROVED: Kevin_C Dec. 20,2010



DO NOT SCALE DRAWING

SHEET 1 OF 1

THIS DRAWING AND SPECIFICATIONS HEREIN ARE THE PROPERTY OF RARITAN, INC. AND SHALL NOT BE COPIED, REPRODUCED OR USED, IN WHOLE OR IN PART, AS THE BASIS FOR THE MANUFACTURE OR SALE OF ITEMS WITHOUT WRITTEN PERMISSION FROM RARITAN, INC. THIS DRAWING IS BASED UPON LATEST AVAILABLE INFORMATION AND IS SUBJECT TO CHANGE WITHOUT NOTICE.

TITLE: iPDU Zero U,
Single phase 24A / 200-240V
Input :NEMA L6-30P
Output : (36)IEC320 C13

DWG NO. **MPX2-1841** REV. **A**