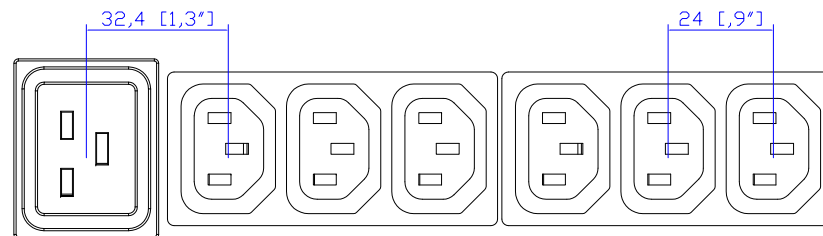
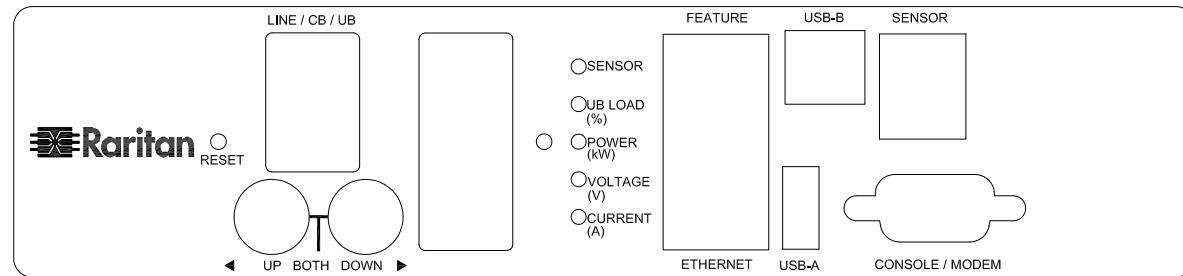


IEC60309 16A 3PY

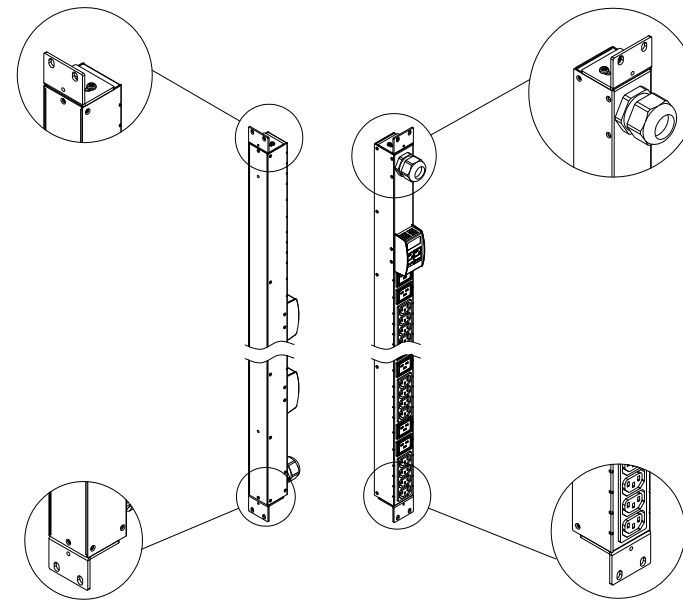
VIEW A



VIEW B

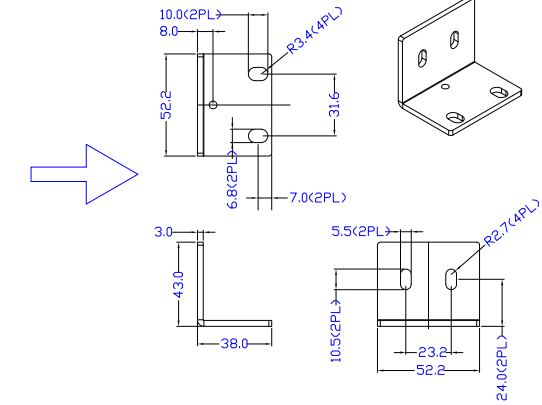


VIEW C



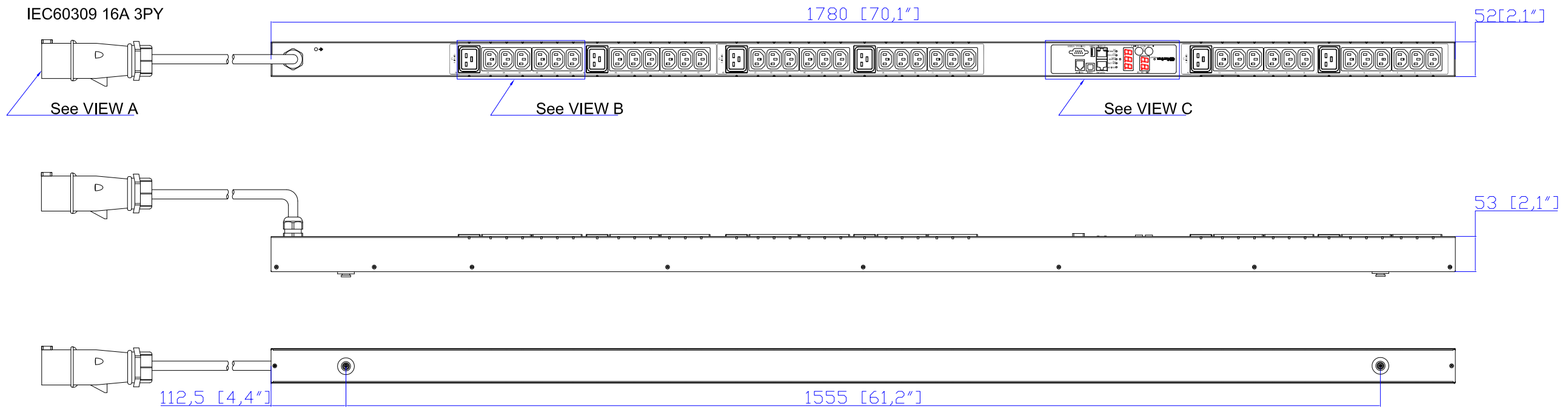
Option A

Option B



Rack mount L type detailed

Mounting options



NOTES:  
1.ALL DIMENSIONS ARE MILLIMETERS(INCHES).



DRAWN : EVA Lin Oct. 20, 2014  
ENGINEER: Siang\_H Oct. 20, 2014  
APPROVED: Tom\_H Oct. 20, 2014



DO NOT SCALE DRAWING

SHEET 1 OF 1

THIS DRAWING AND SPECIFICATIONS HEREIN ARE THE PROPERTY OF RARITAN, INC. AND SHALL NOT BE COPIED, REPRODUCED OR USED, IN WHOLE OR IN PART, AS THE BASIS FOR THE MANUFACTURE OR SALE OF ITEMS WITHOUT WRITTEN PERMISSION FROM RARITAN, INC. THIS DRAWING IS BASED UPON LATEST AVAILABLE INFORMATION AND IS SUBJECT TO CHANGE WITHOUT NOTICE.

TITLE:  
iPDU Zero U,  
Three Phase, 16A/380V-415V,  
Plug Type:IEC60309 16A 3PY  
Outlet Type: (36)IEC320 C13 & (6)IEC320 C19

DWG NO. **MPX2-1966** REV. **0A**