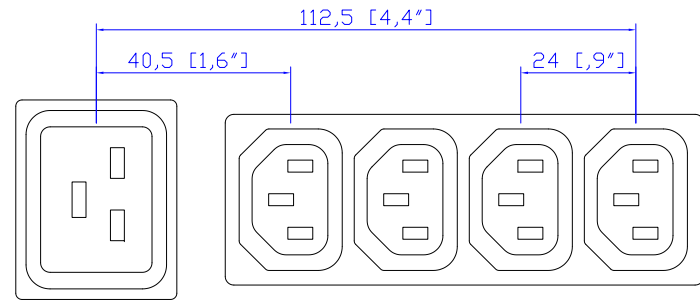
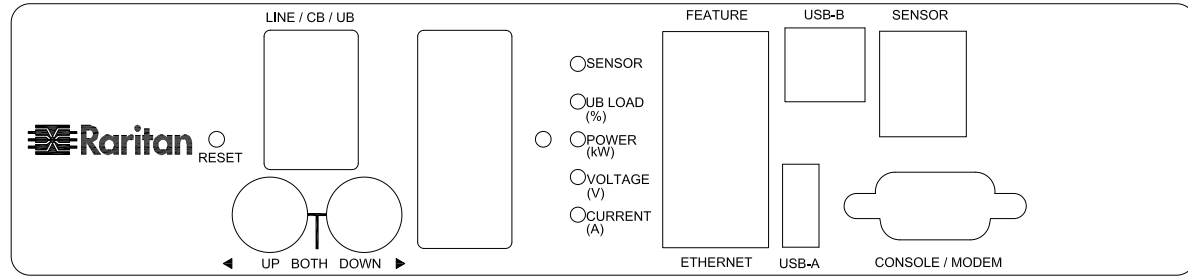


CS8365C

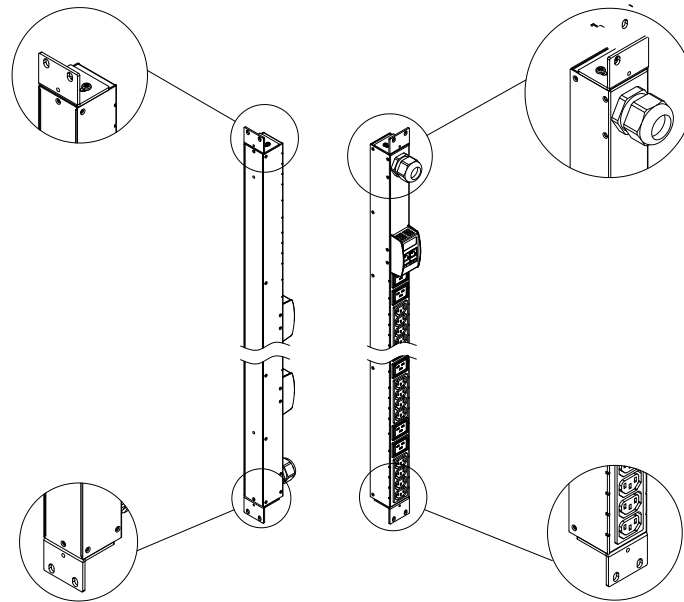
VIEW A



VIEW B

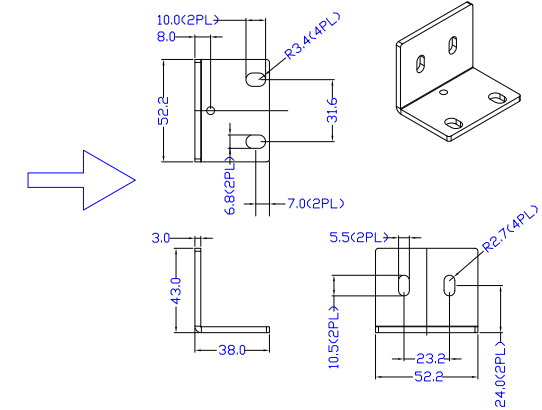


VIEW C



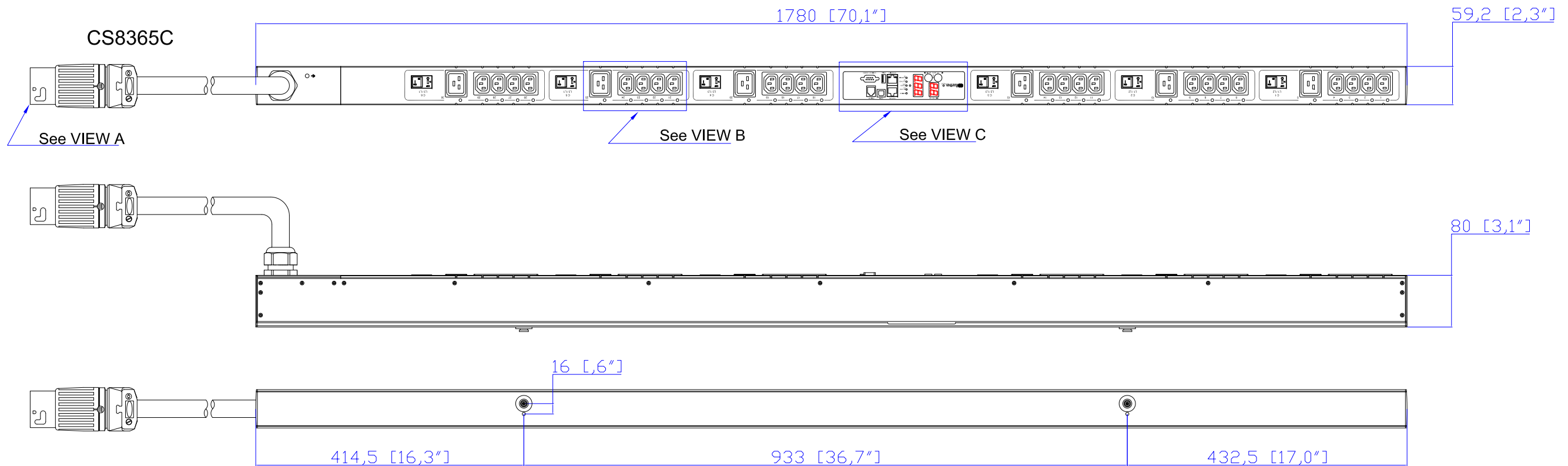
Option A

Option B



Rack mount L type detailed

Mounting options



NOTES:
1.ALL DIMENSIONS ARE MILLIMETERS[INCHES].



PROJECTION
THIRD ANGLE

DO NOT SCALE DRAWING

SHEET 1 OF 1

THIS DRAWING AND SPECIFICATIONS HEREIN ARE THE PROPERTY OF RARITAN, INC. AND SHALL NOT BE COPIED, REPRODUCED OR USED, IN WHOLE OR IN PART, AS THE BASIS FOR THE MANUFACTURE OR SALE OF ITEMS WITHOUT WRITTEN PERMISSION FROM RARITAN, INC. THIS DRAWING IS BASED UPON LATEST AVAILABLE INFORMATION AND IS SUBJECT TO CHANGE WITHOUT NOTICE.

TITLE:
iPDU Zero U,
Three Phase, 40A/208V-240V,
Plug Type:CS8365C ,
Outlet Type:(24)IEC320 C13 & (6)IEC320 C19

DWG NO. **MPX2-1978** REV. **A**

DRAWN : EVA Lin Oct. 11,2011
ENGINEER: Kevin_L Oct. 11,2011
APPROVED: Tom_H Oct. 11,2011