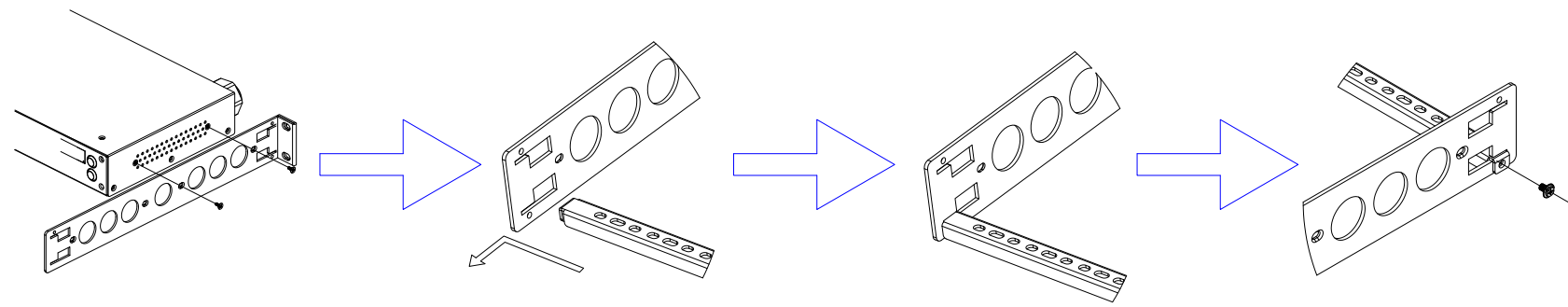
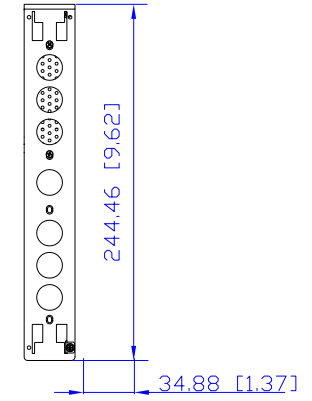


IEC60320 C20

VIEW A



VIEW B



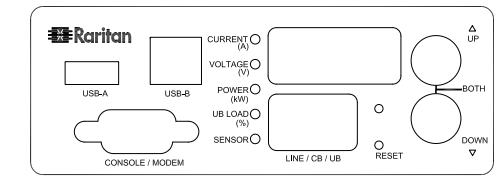
Rear



IEC60320 C19 IEC60320 C20

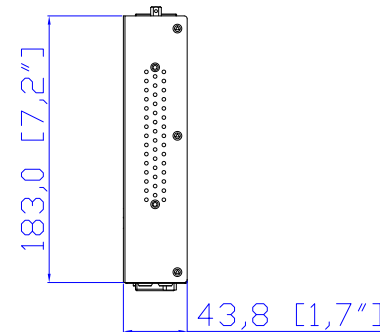
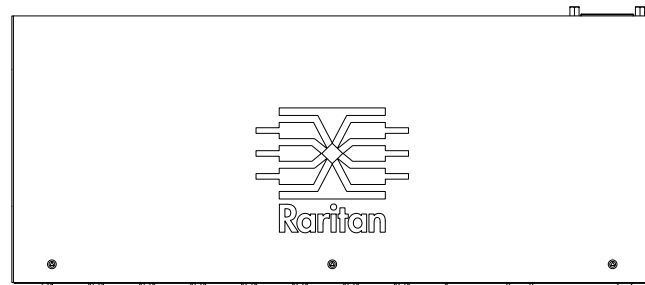


See VIEW A

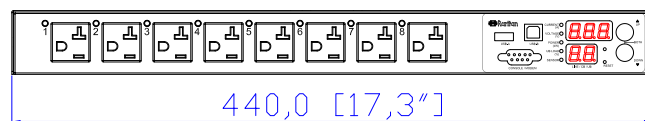


VIEW C

TOP

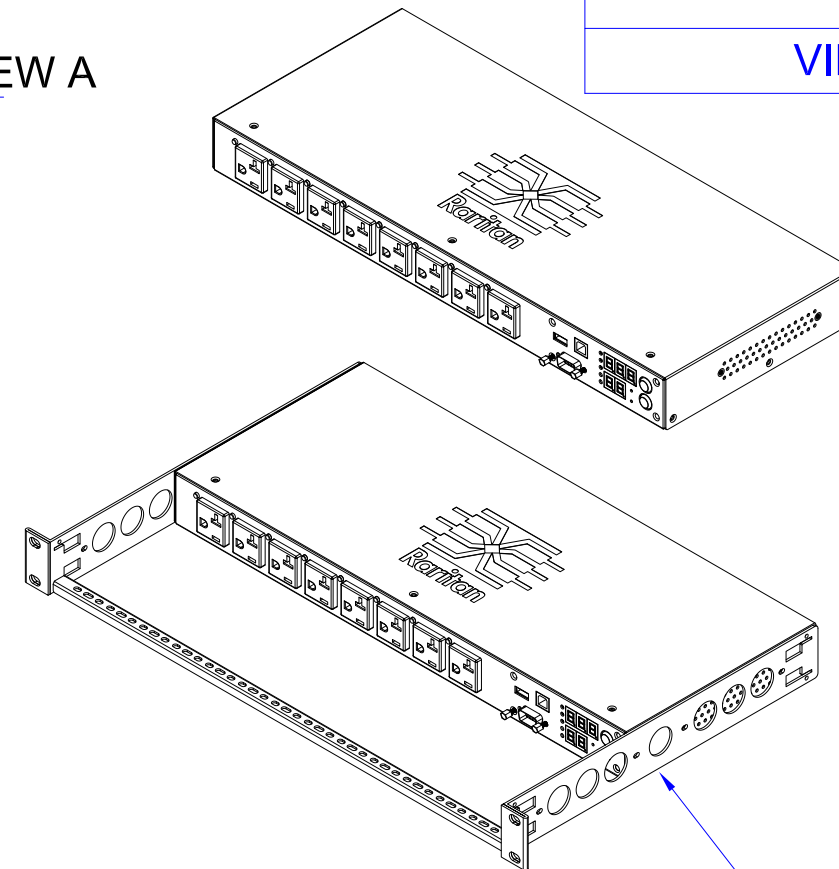


Front



440,0 [17,3"]

See VIEW C



See VIEW B

NOTES:
ALL DIMENSIONS ARE MILLMETERS[INCHES].

		PROJECTION THIRD ANGLE	DO NOT SCALE DRAWING	TITLE: iPDU One U, Single Phase, 16A/100-120V Input: IEC320 C20 , Output (8)NAME5-20R
		SHEET 1 OF 1		
DRAWN : Eva Lin	May 03,2011	THIS DRAWING AND SPECIFICATIONS HEREIN ARE THE PROPERTY OF RARITAN, INC. AND SHALL NOT BE COPIED, REPRODUCED OR USED, IN WHOLE OR IN PART, AS THE BASIS FOR THE MANUFACTURE OR SALE OF ITEMS WITHOUT WRITTEN PERMISSION FROM RARITAN, INC. THIS DRAWING IS BASED UPON LATEST AVAILABLE INFORMATION AND IS SUBJECT TO CHANGE WITHOUT NOTICE.		DWG NO.
ENGINEER: Sam	May 03,2011			MPX2-2147CR
APPROVED: Kevin_C	May 03,2011			REV. A