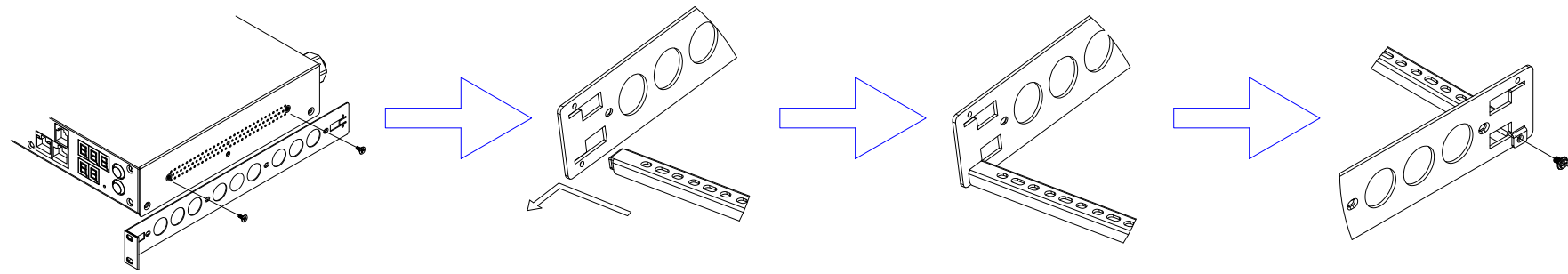
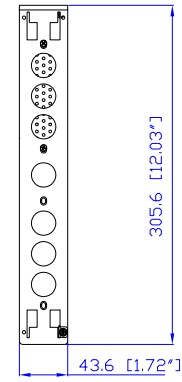


IEC60320 C20

VIEW A



VIEW B



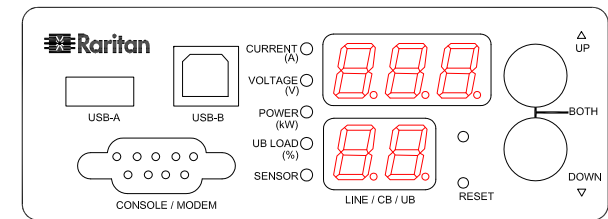
Rear



IEC60320 C19 IEC60320 C20

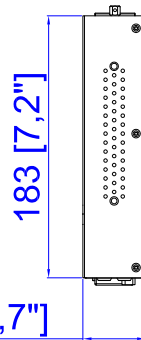
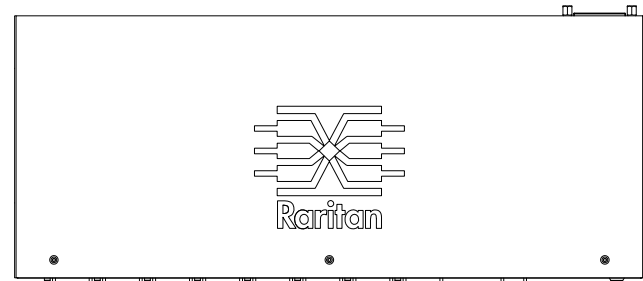


See VIEW A



VIEW C

TOP

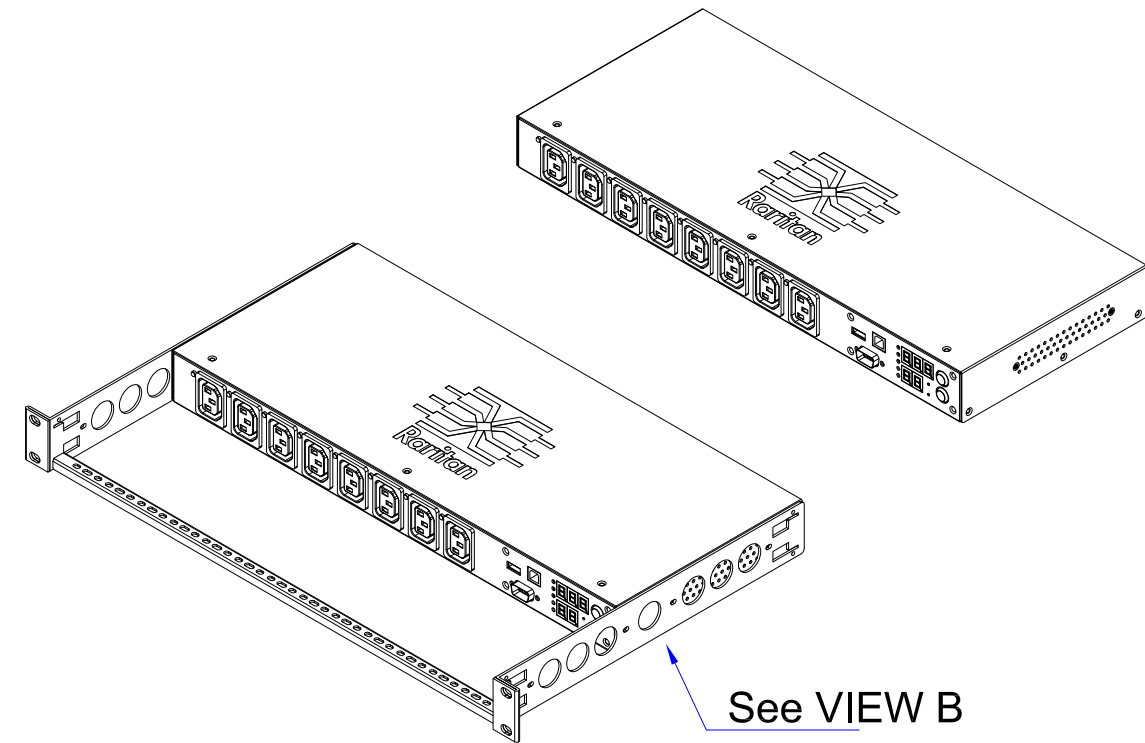


440 [17,3"]

Front



See VIEW C



See VIEW B

NOTES:  
ALL DIMENSIONS ARE MILLIMETERS[INCHES].

 www.raritan.com		PROJECTION THIRD ANGLE	DO NOT SCALE DRAWING <b>SHEET 1 OF 1</b>	TITLE: iPDU One U Single Phase, 16A/100V-240V Inlet Type: IEC60320 C20 Plug Type: IEC60320 C20 Outlet Type:(8)IEC320 C13
		THIS DRAWING AND SPECIFICATIONS HEREIN ARE THE PROPERTY OF RARITAN, INC. AND SHALL NOT BE COPIED, REPRODUCED OR USED, IN WHOLE OR IN PART, AS THE BASIS FOR THE MANUFACTURE OR SALE OF ITEMS WITHOUT WRITTEN PERMISSION FROM RARITAN, INC. THIS DRAWING IS BASED UPON LATEST AVAILABLE INFORMATION AND IS SUBJECT TO CHANGE WITHOUT NOTICE.		DWG NO. <b>MPX2-2180CR</b> REV. <b>0B</b>
Drawing Maker: Eva LIN	Mar. 17, 2016	Approver: TomH	Mar. 17, 2016	