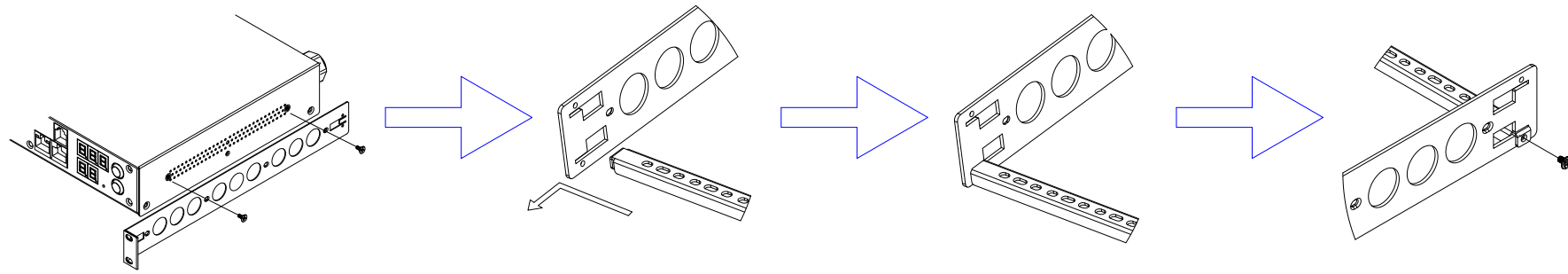
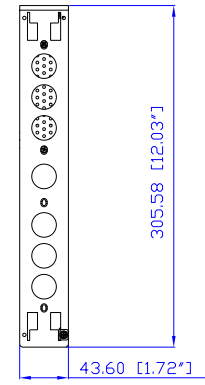


NEMA L6-20P

VIEW A



VIEW B



Rear

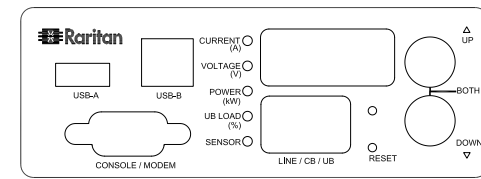


IEC60320 C19

NEMA L6-20P

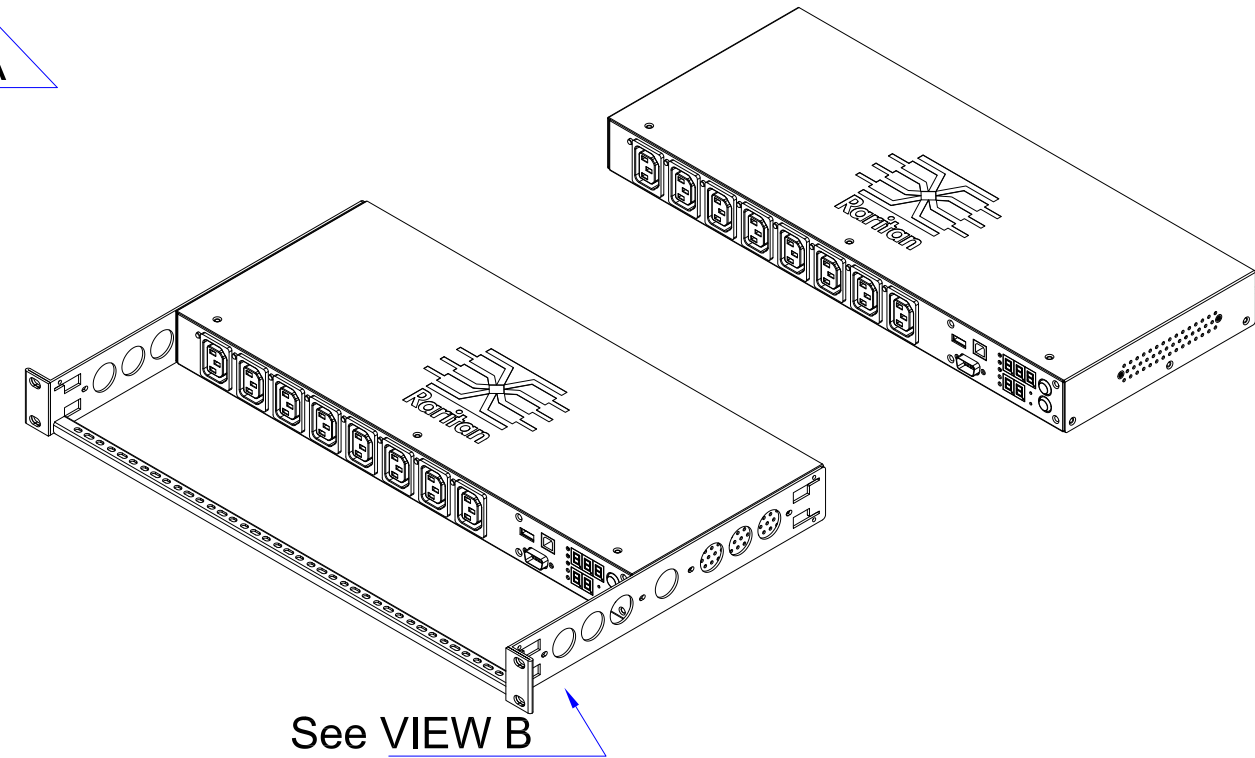
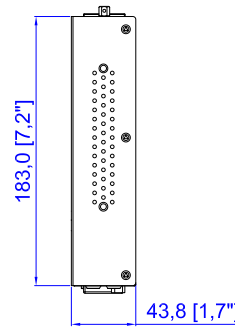
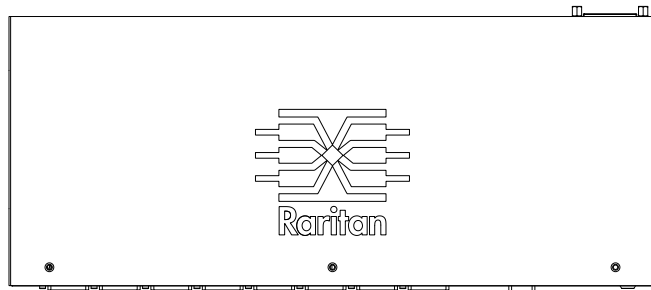


See VIEW A



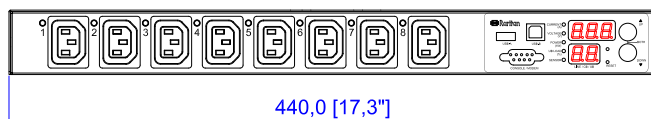
VIEW C

TOP



See VIEW B

Front



440.0 [17.3"]

See VIEW C

NOTES:
ALL DIMENSIONS ARE MILLIMETERS[INCHES].

<p>Raritan www.raritan.com</p>	PROJECTION THIRD ANGLE	DO NOT SCALE DRAWING	TITLE: iPDU One U, Single Phase, 16A/200V-240V Input: NEMA L6-20P , Output (8)IEC320 C13
	SHEET 1 OF 1		
DRAWN : Eva LIN	June 14, 2011	THIS DRAWING AND SPECIFICATIONS HEREIN ARE THE PROPERTY OF RARITAN, INC. AND SHALL NOT BE COPIED, REPRODUCED OR USED, IN WHOLE OR IN PART, AS THE BASIS FOR THE MANUFACTURE OR SALE OF ITEMS WITHOUT WRITTEN PERMISSION FROM RARITAN, INC. THIS DRAWING IS BASED UPON LATEST AVAILABLE INFORMATION AND IS SUBJECT TO CHANGE WITHOUT NOTICE.	
ENGINEER: Sam_L	June 15, 2011		
APPROVED: Kevin_C	June 16, 2011		
		DWG NO. MPX2-2180R	REV. A