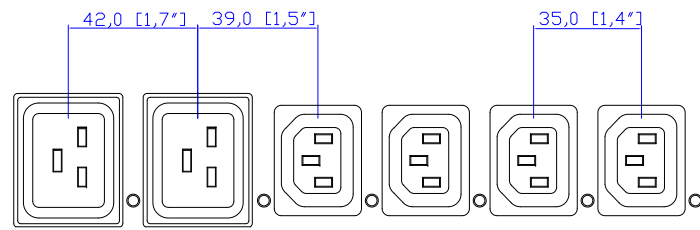
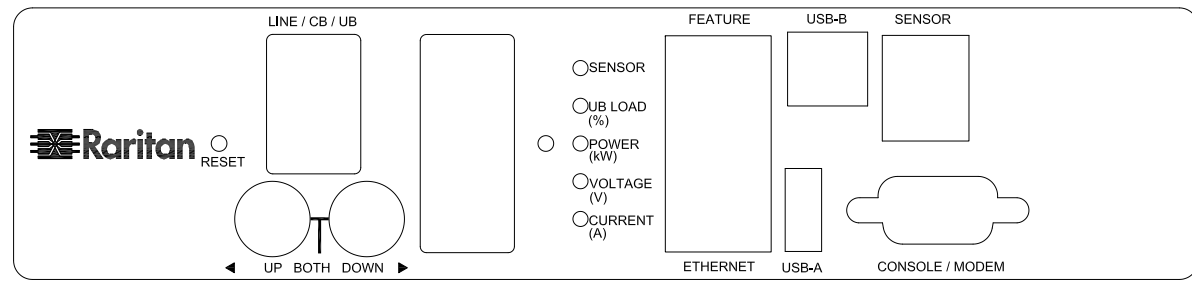


IEC309 32A

VIEW A

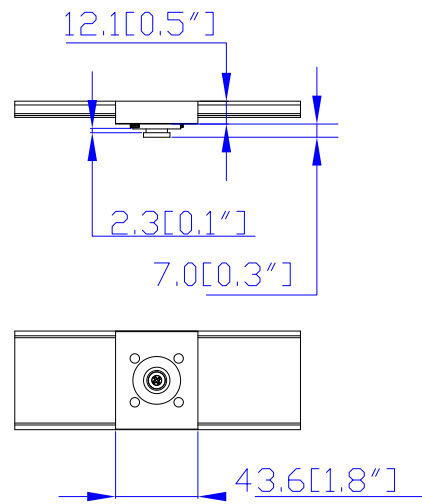


VIEW B

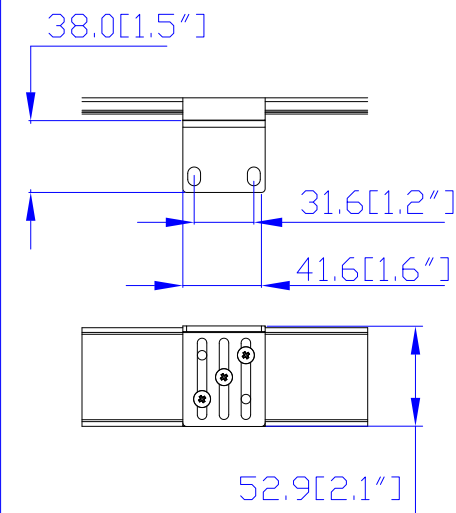


VIEW C

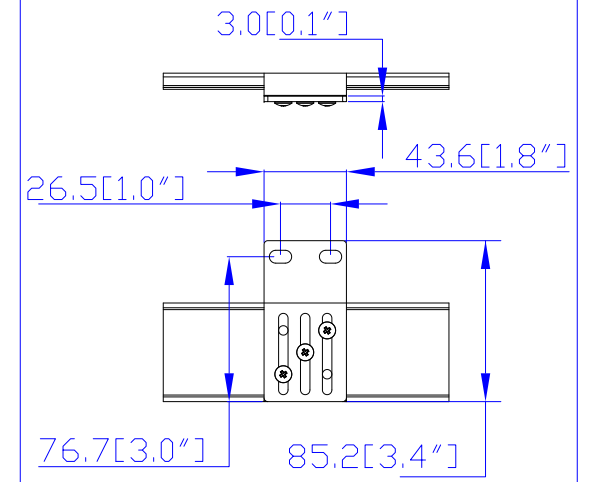
Option 1.



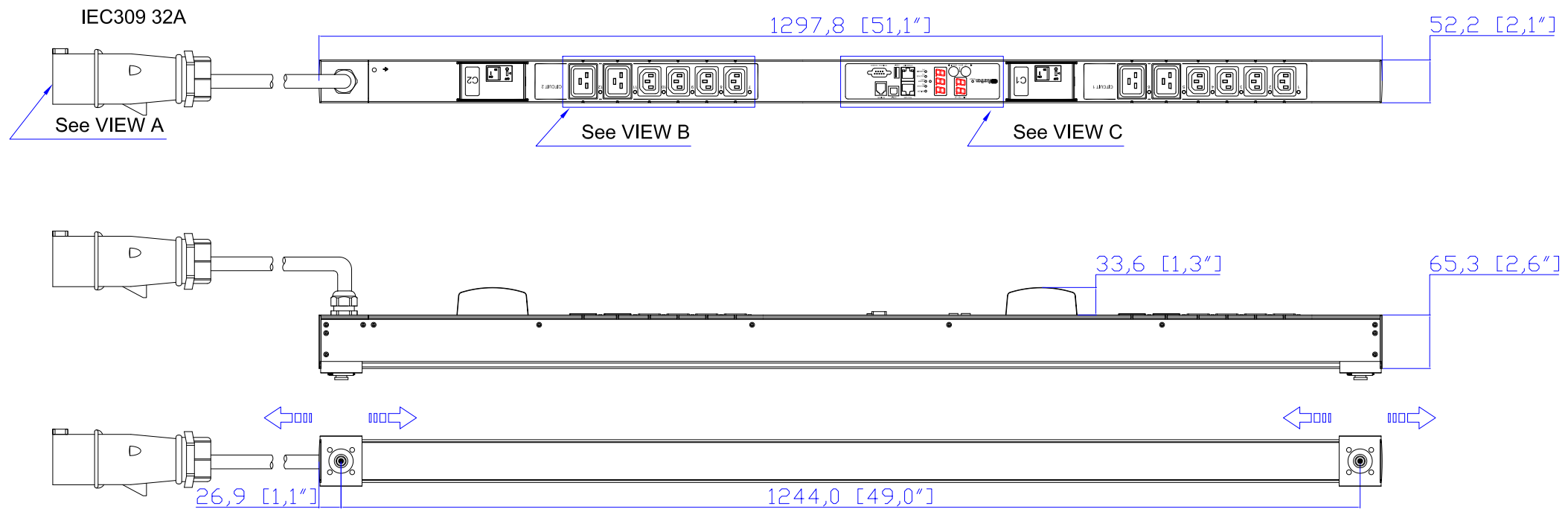
Option 2.



Option 3.



VIEW D



NOTES:
1. ALL DIMENSIONS ARE MILLIMETERS [INCHES].



DO NOT SCALE DRAWING
SHEET 1 OF 1

THIS DRAWING AND SPECIFICATIONS HEREIN ARE THE PROPERTY OF RARITAN, INC. AND SHALL NOT BE COPIED, REPRODUCED OR USED, IN WHOLE OR IN PART, AS THE BASIS FOR THE MANUFACTURE OR SALE OF ITEMS WITHOUT WRITTEN PERMISSION FROM RARITAN, INC. THIS DRAWING IS BASED UPON LATEST AVAILABLE INFORMATION AND IS SUBJECT TO CHANGE WITHOUT NOTICE.

TITLE:
iPDU Zero U,
Single phase, 32A/200V-240V
Input Type: IEC60309 32A,
Output Type: (8)IEC320 C13 (4)IEC320 C19

DWG NO. **MPX2-2297** REV. **A**

DRAWN : EVA Lin Sep. 07,2012
ENGINEER: Kenny_C Sep. 07,2012
APPROVED: Tom_H Sep. 07,2012