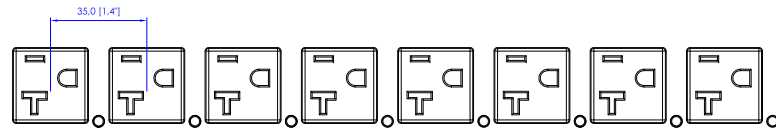
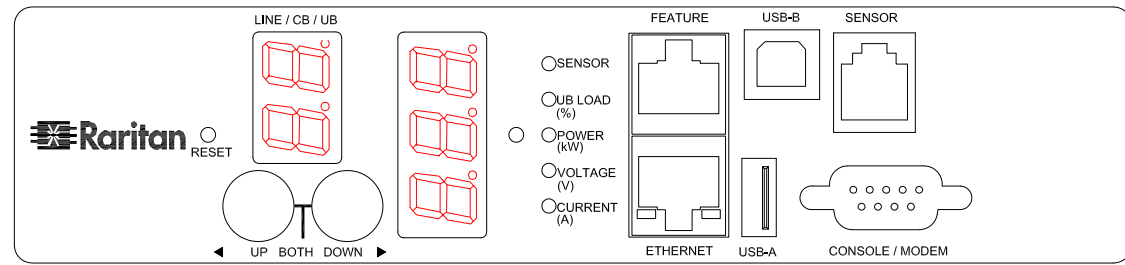


NEMA L5-20P
VIEW A

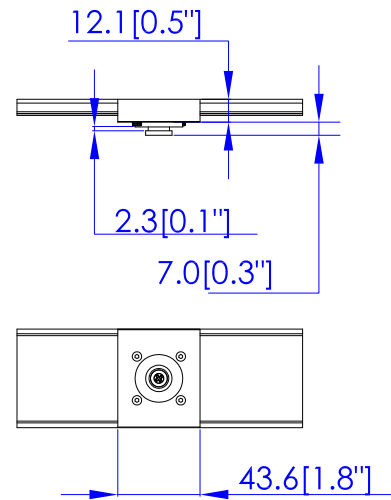


VIEW B

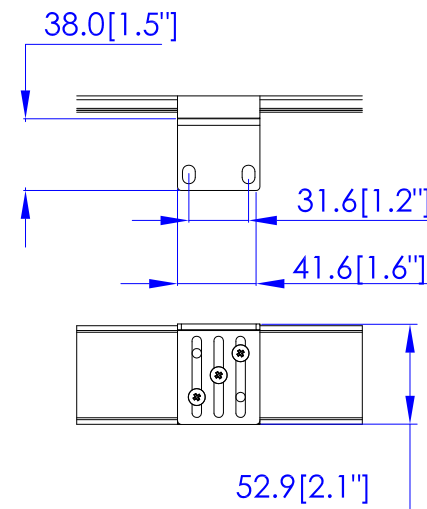


VIEW C

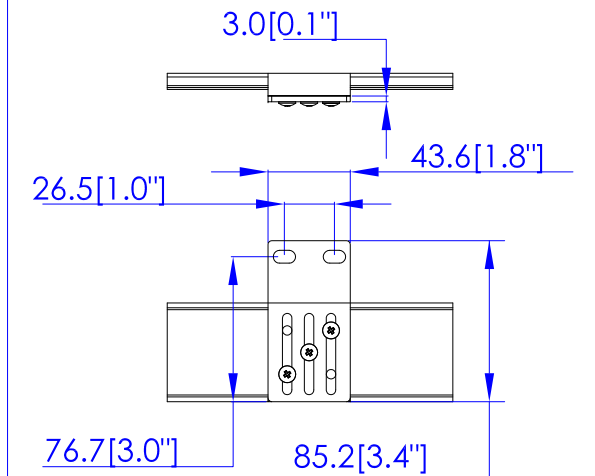
Option 1.



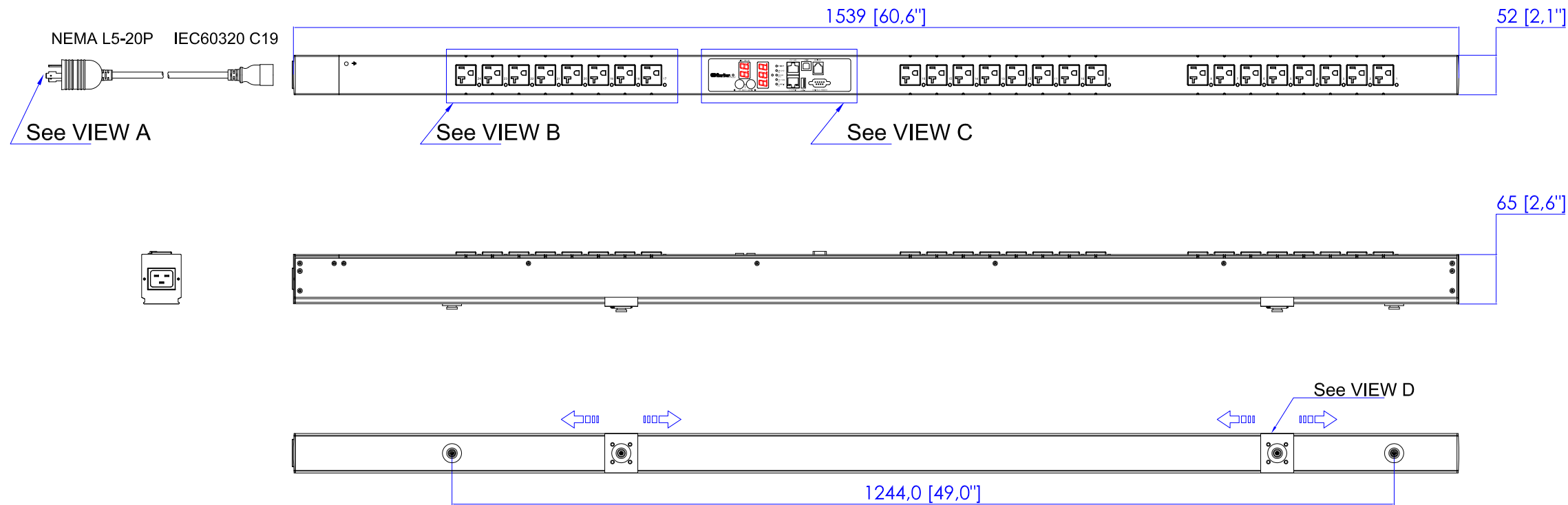
Option 2.



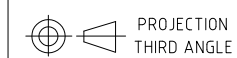
Option 3.



VIEW D



NOTES:
1. ALL DIMENSIONS ARE MILLIMETERS [INCHES].



DO NOT SCALE DRAWING
SHEET 1 OF 1

THIS DRAWING AND SPECIFICATIONS HEREIN ARE THE PROPERTY OF RARITAN, Inc. AND SHALL NOT BE COPIED, REPRODUCED OR USED, IN WHOLE OR IN PART, AS THE BASIS FOR THE MANUFACTURE OR SALE OF ITEMS WITHOUT WRITTEN PERMISSION FROM RARITAN, Inc. THIS DRAWING IS BASED UPON LATEST AVAILABLE INFORMATION AND IS SUBJECT TO CHANGE WITHOUT NOTICE.

TITLE: iPDU Zero U
Single Phase, 16A/100V-120V
Inlet Type: IEC60320 C20
Plug Type: NEMA L5-20P
Outlet Type: (24) NEMA 5-20R

DWG NO. **MPX2-2475U**

REV. **0A**

Drawing Maker:	EVA LIN	Aug. 11, 2015
Design Engineer:	Sam_L	Aug. 11, 2015
Approver:	Tom_H	Aug. 11, 2015