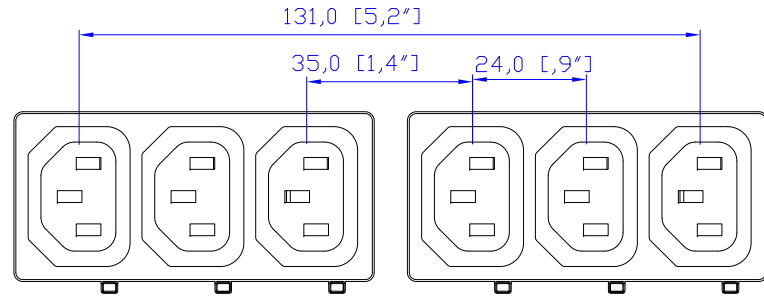
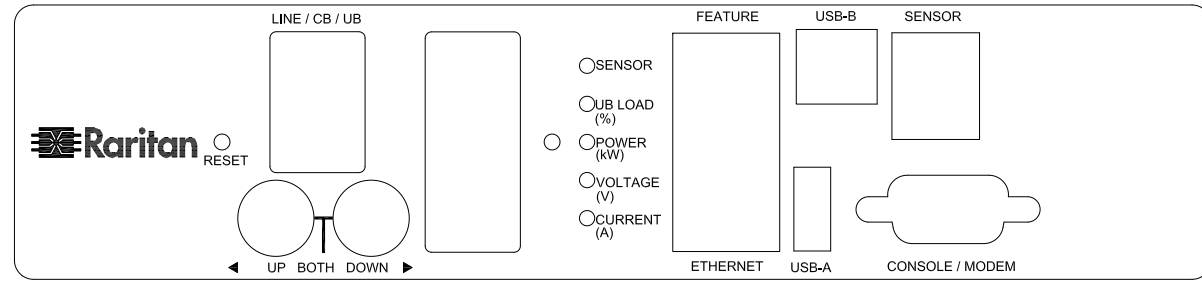


Clipsal 56P320

VIEW A

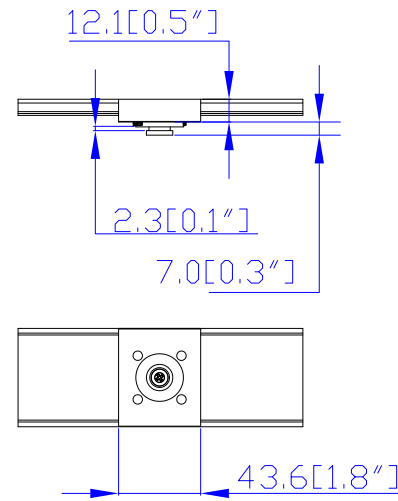


VIEW B

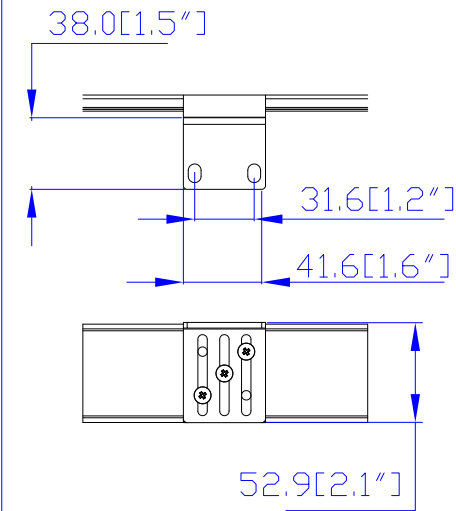


VIEW C

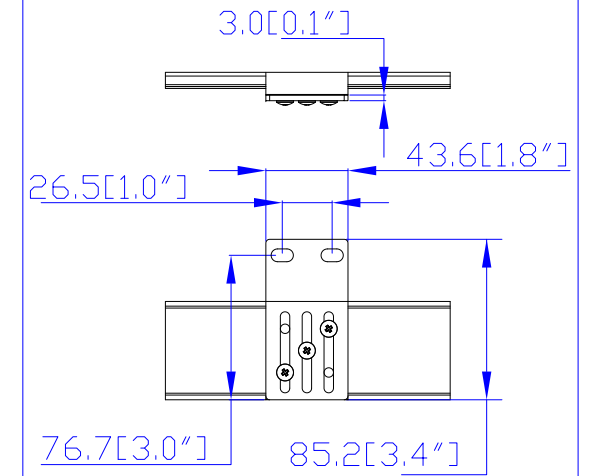
Option 1.



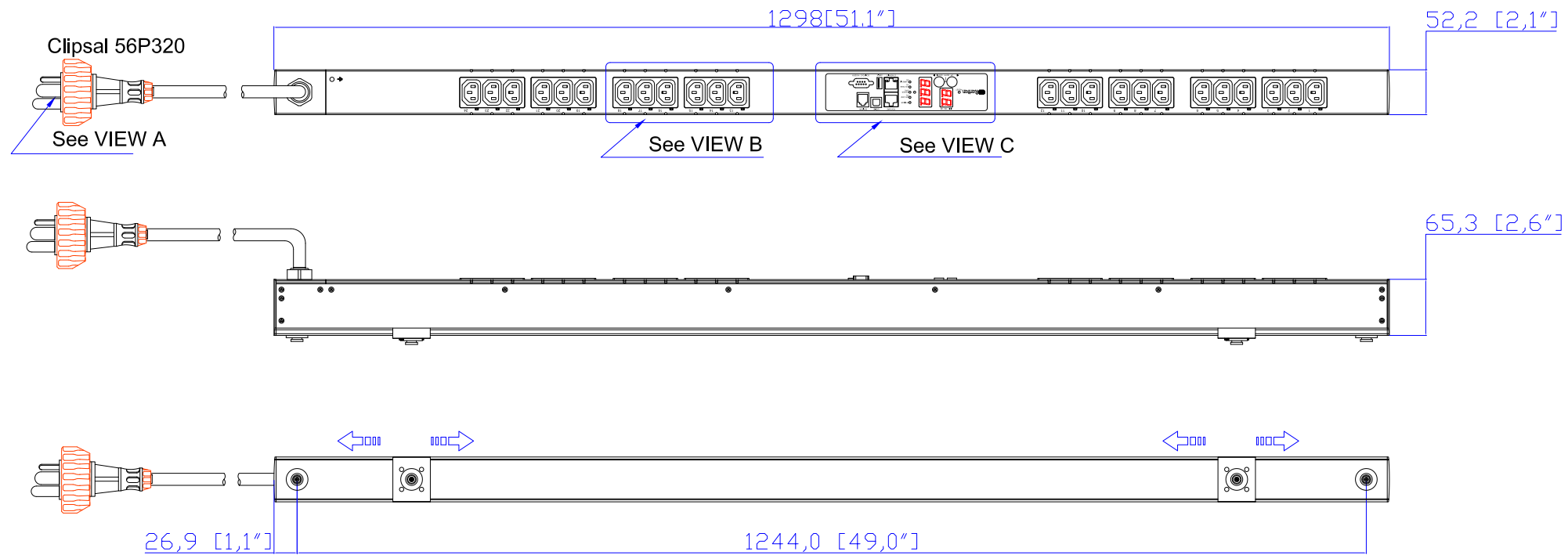
Option 2.



Option 3.



VIEW D



NOTES:

1. ALL DIMENSIONS ARE MILLIMETERS [INCHES].



DRAWN :	EVA LIN	June 21, 2011
ENGINEER:	Kevin_L	June 22, 2011
APPROVED:	Kevin_C	June 23, 2011



DO NOT SCALE DRAWING
SHEET 1 OF 1
 THIS DRAWING AND SPECIFICATIONS HEREIN ARE THE PROPERTY OF RARITAN, INC. AND SHALL NOT BE COPIED, REPRODUCED OR USED, IN WHOLE OR IN PART, AS THE BASIS FOR THE MANUFACTURE OR SALE OF ITEMS WITHOUT WRITTEN PERMISSION FROM RARITAN, INC. THIS DRAWING IS BASED UPON LATEST AVAILABLE INFORMATION AND IS SUBJECT TO CHANGE WITHOUT NOTICE.

TITLE: iPDU Zero U,
 Single Phase, 20A/240V,
 Input: Clipsal 56P320 ,
 Output: (24) IEC320 C13

DWG NO. **MPX2-2486A1** REV. **A**