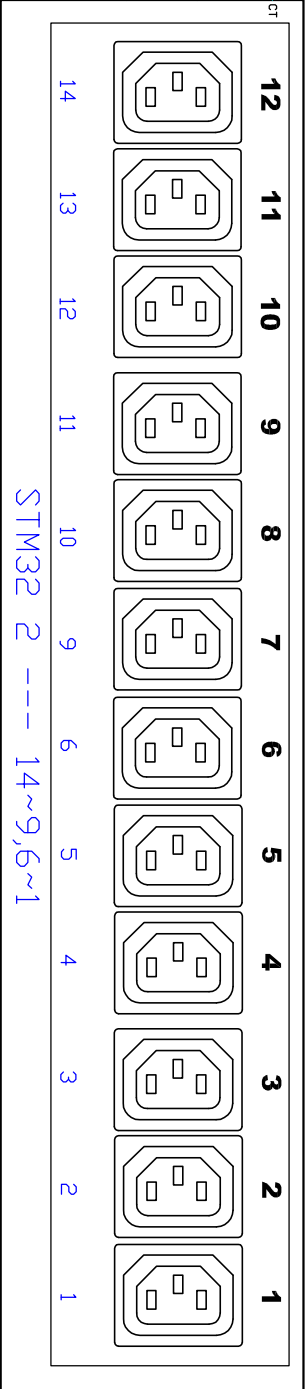
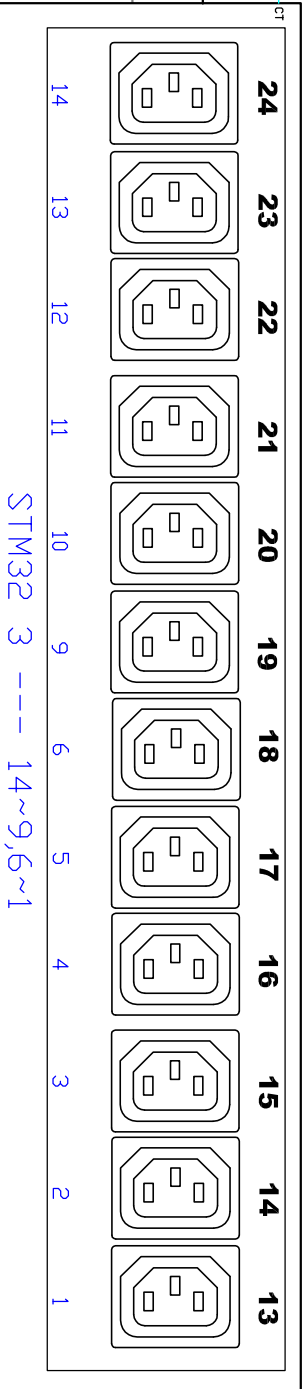


**CIRCUIT 1**



**CIRCUIT 2**

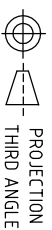


www.raritan.com

DRAWN : Tomy FEB/25/11'

ENGINEER:

APPROVED:



PROJECTION  
THIRD ANGLE

DO NOT SCALE DRAWING  
SHEET 1 OF 1

THIS DRAWING AND SPECIFICATIONS HEREIN ARE THE PROPERTY OF RARITAN, INC. AND SHALL NOT BE COPIED, REPRODUCED OR USED, IN WHOLE OR IN PART, AS THE BASIS FOR THE MANUFACTURE OR SALE OF ITEMS WITHOUT WRITTEN PERMISSION FROM RARITAN, INC. THIS DRAWING IS BASED UPON LATEST AVAILABLE INFORMATION AND IS SUBJECT TO CHANGE WITHOUT NOTICE.

TITLE:  
iPDU 0U, Metered & Switched, Single phase  
32A / 200 ~240V  
Input : N/A  
Output : (24) C13

DWG NO.

TPX2-2500N

REV.

A