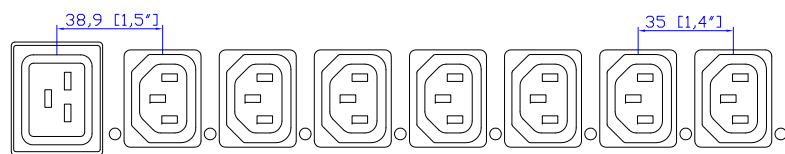
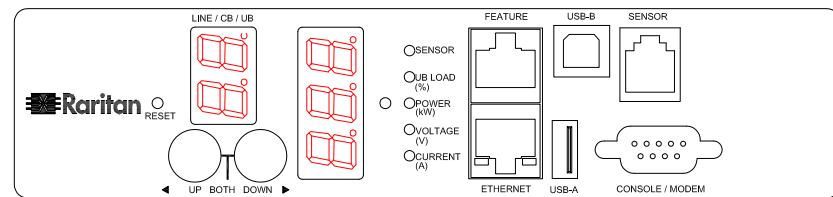


IEC60309 16A 3PY

VIEW A

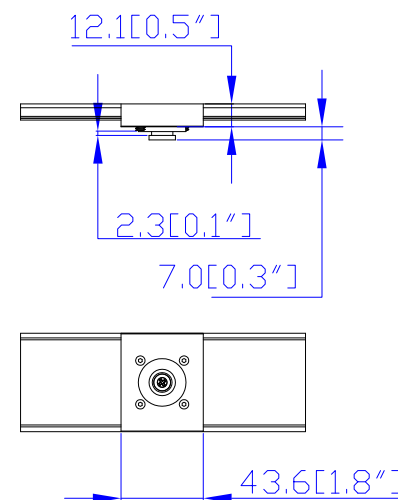


VIEW B

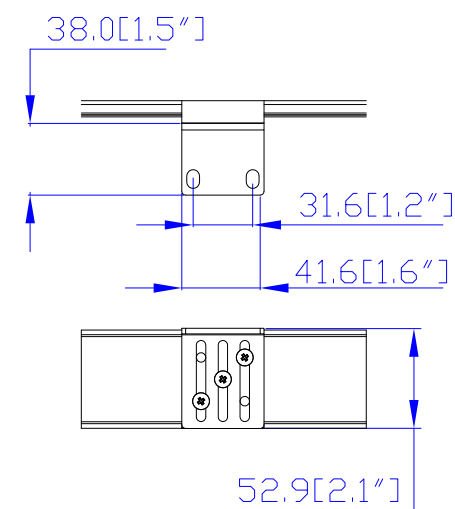


VIEW C

Option 1.

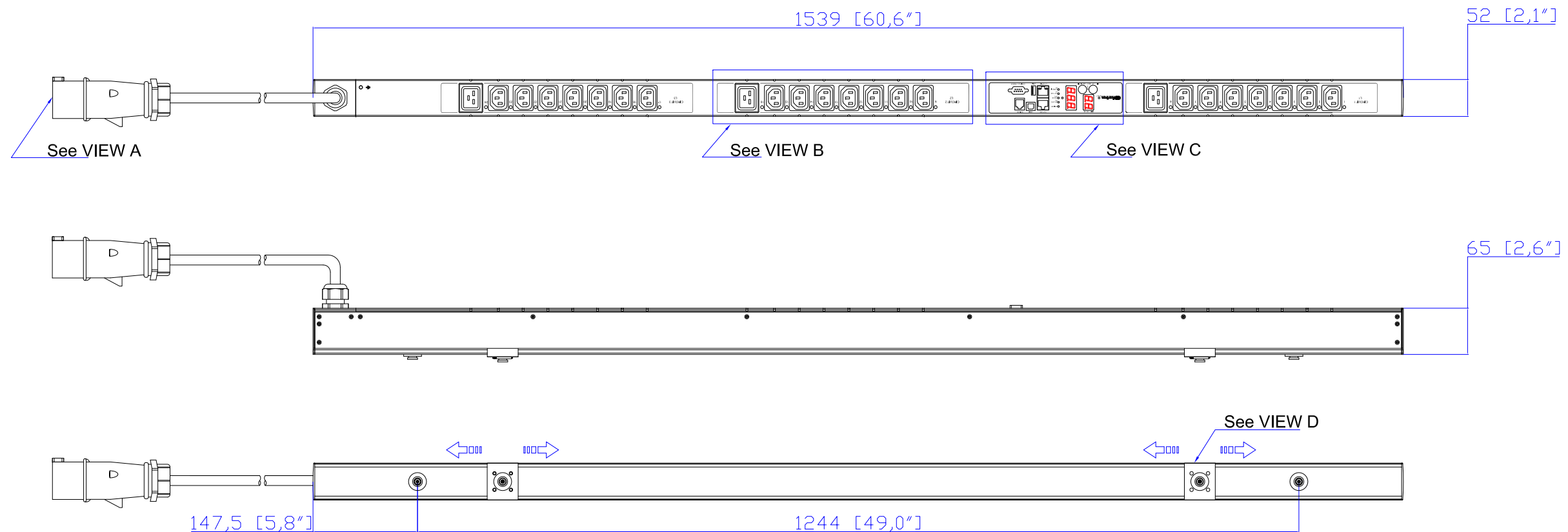
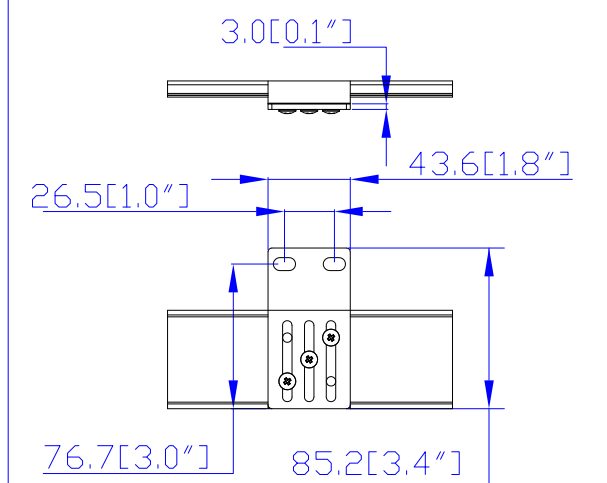


Option 2.



VIEW D

Option 3.



NOTES:  
1. ALL DIMENSIONS ARE MILLIMETERS [INCHES].

		PROJECTION THIRD ANGLE DO NOT SCALE DRAWING <b>SHEET 1 OF 1</b>	TITLE:
			iPDU Zero U Three Phase, 16A/380V-415V Plug Type: IEC60309 16A 3PY Outlet Type: (2) IEC320 C13 & (3) IEC320 C19
Drawing Maker: EVA_Lin	Jul. 07, 2016	THIS DRAWING AND SPECIFICATIONS HEREIN ARE THE PROPERTY OF RARITAN, INC. AND SHALL NOT BE COPIED, REPRODUCED OR USED, IN WHOLE OR IN PART, AS THE BASIS FOR THE MANUFACTURE OR SALE OF ITEMS WITHOUT WRITTEN PERMISSION FROM RARITAN, INC. THIS DRAWING IS BASED UPON LATEST AVAILABLE INFORMATION AND IS SUBJECT TO CHANGE WITHOUT NOTICE..	DWG NO.
Design Engineer: Siang_H	Jul. 07, 2016		<b>MPX2-2516</b>
Approver: Tom_H	Jul. 07, 2016		REV. <b>0B</b>