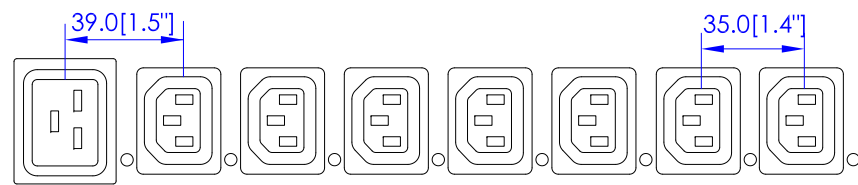


NEMA L21-30P

VIEW A

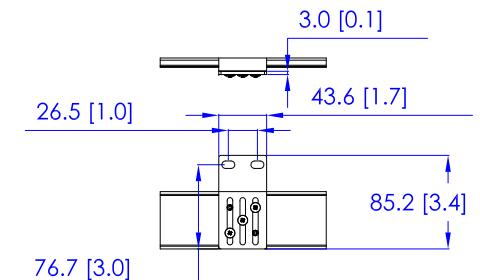
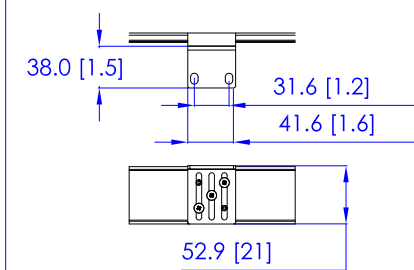
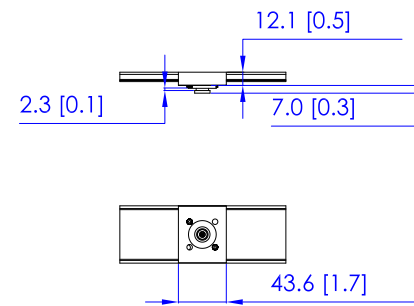


VIEW B

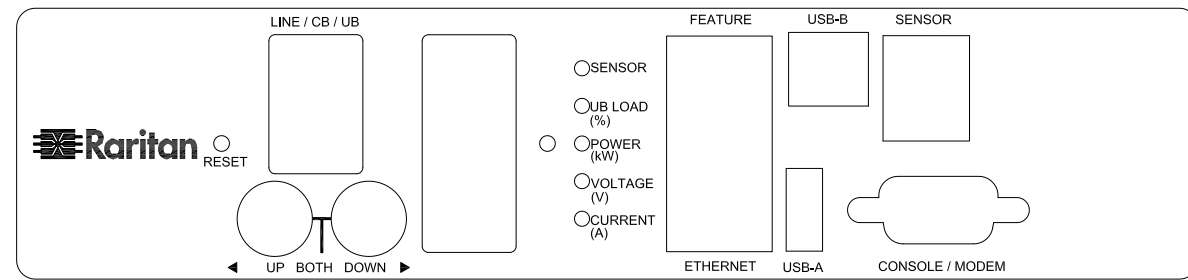
Option 1.

Option 2.

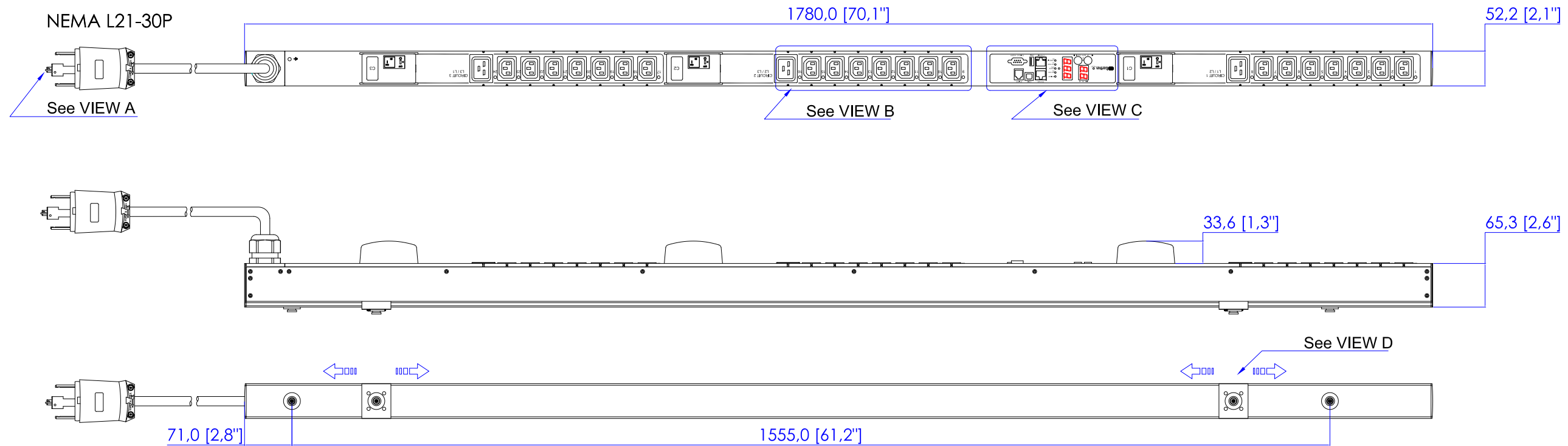
Option 3.



VIEW D



VIEW C



NOTES:  
1. ALL DIMENSIONS ARE MILLIMETERS [INCHES].



DRAWN :	EVA LIN	June 15, 2011
ENGINEER:	Kenny_C	June 16, 2011
APPROVED:	Kevin_C	June 20, 2011

PROJECTION THIRD ANGLE  
DO NOT SCALE DRAWING  
SHEET 1 OF 1

THIS DRAWING AND SPECIFICATIONS HEREIN ARE THE PROPERTY OF RARITAN, INC. AND SHALL NOT BE COPIED, REPRODUCED OR USED, IN WHOLE OR IN PART, AS THE BASIS FOR THE MANUFACTURE OR SALE OF ITEMS WITHOUT WRITTEN PERMISSION FROM RARITAN, INC. THIS DRAWING IS BASED UPON LATEST AVAILABLE INFORMATION AND IS SUBJECT TO CHANGE WITHOUT NOTICE.

TITLE:  
iPDU Zero U,  
Three phase 24 A / 190V-208V  
Input : NEMA L21-30P  
Output : (21) IEC320 C13 , (3) IEC320 C19

DWG NO. **MPX2-2522** REV. **A**