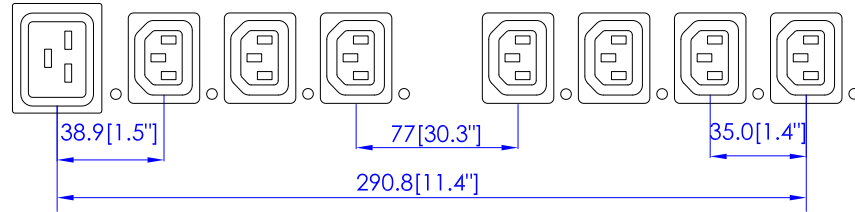


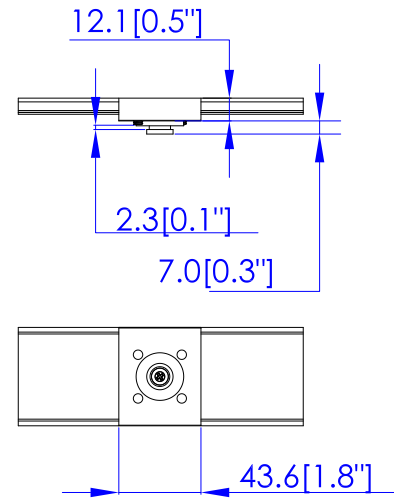
Clipsal 56PA532

VIEW A

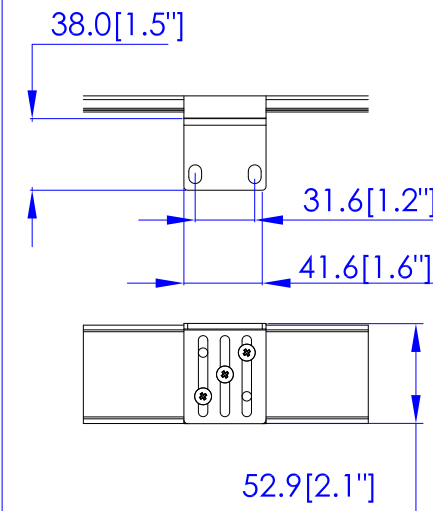


VIEW B

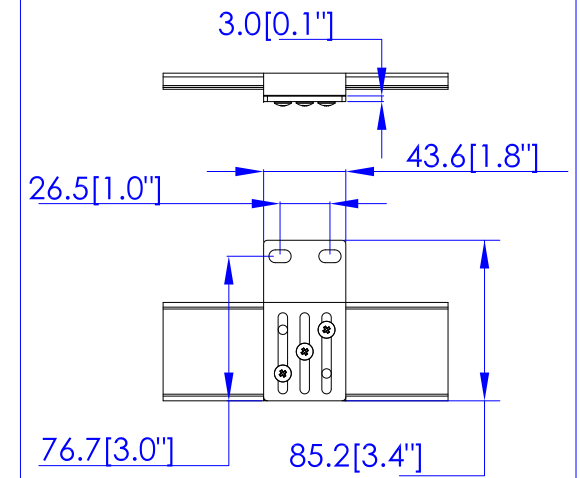
Option 1.



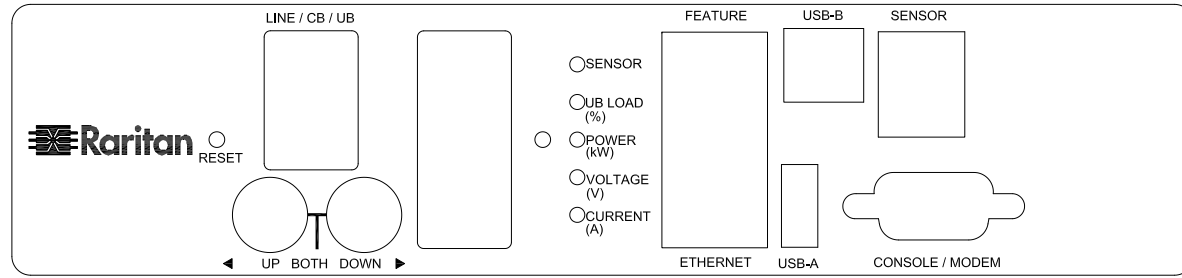
Option 2.



Option 3.

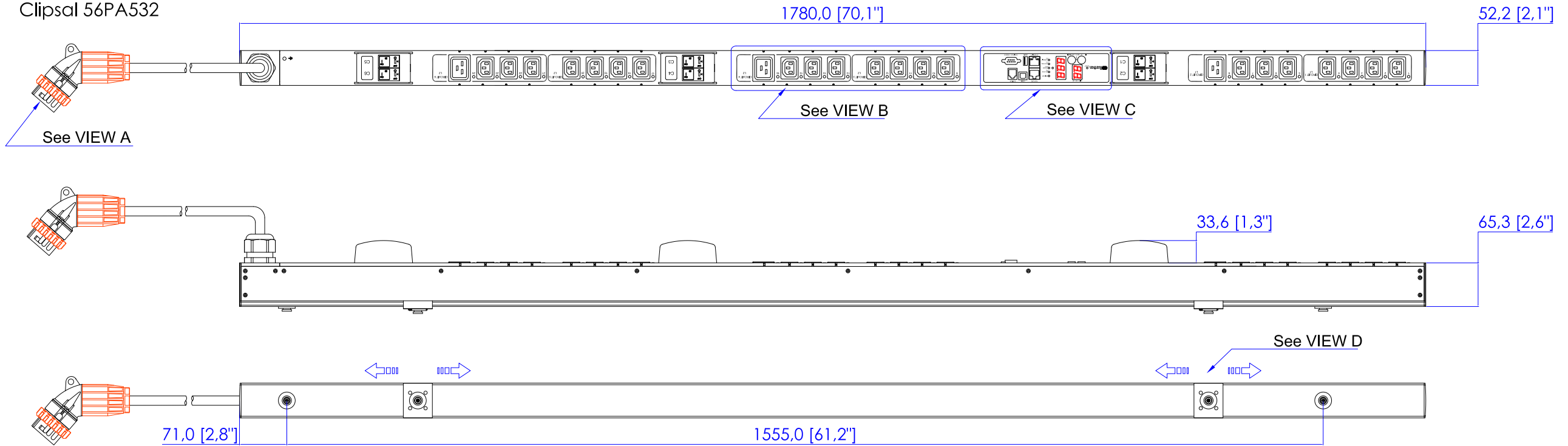


VIEW D



VIEW C

Clipsal 56PA532



NOTES:  
1. ALL DIMENSIONS ARE MILLIMETERS [INCHES].



DRAWN : EVA LIN June 30, 2011  
ENGINEER: Kenny\_C July 01, 2011  
APPROVED: Kevin\_C July 01, 2011



DO NOT SCALE DRAWING  
SHEET 1 OF 1

THIS DRAWING AND SPECIFICATIONS HEREIN ARE THE PROPERTY OF RARITAN, INC. AND SHALL NOT BE COPIED, REPRODUCED OR USED, IN WHOLE OR IN PART, AS THE BASIS FOR THE MANUFACTURE OR SALE OF ITEMS WITHOUT WRITTEN PERMISSION FROM RARITAN, INC. THIS DRAWING IS BASED UPON LATEST AVAILABLE INFORMATION AND IS SUBJECT TO CHANGE WITHOUT NOTICE.

TITLE:  
iPDU Zero U,  
Three phase 32A / 415V  
Input : Clipsal 56PA532 ,  
Output : (2)IEC320 C13 , (3)IEC320 C19

DWG NO. **MPX2-2530A2** REV. **A**