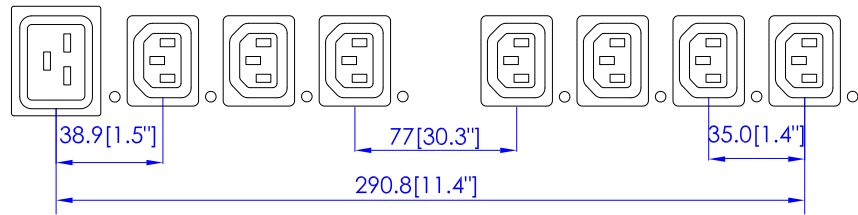


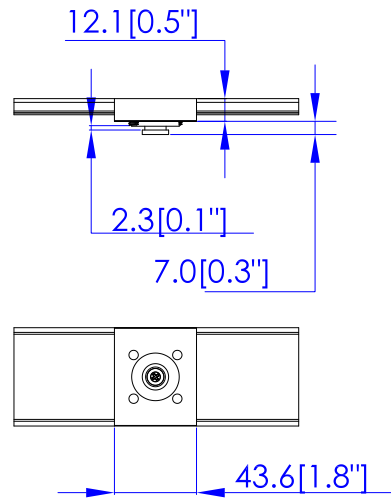
NEMA L22-30P

VIEW A

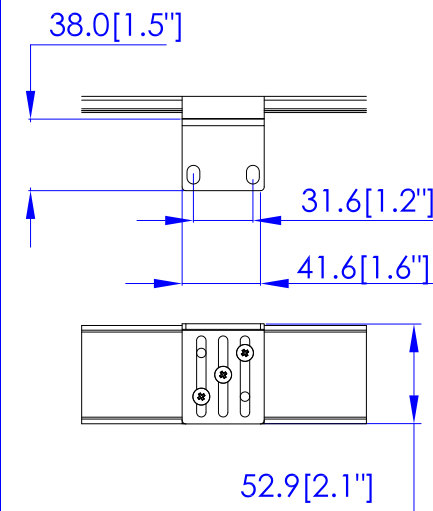


VIEW B

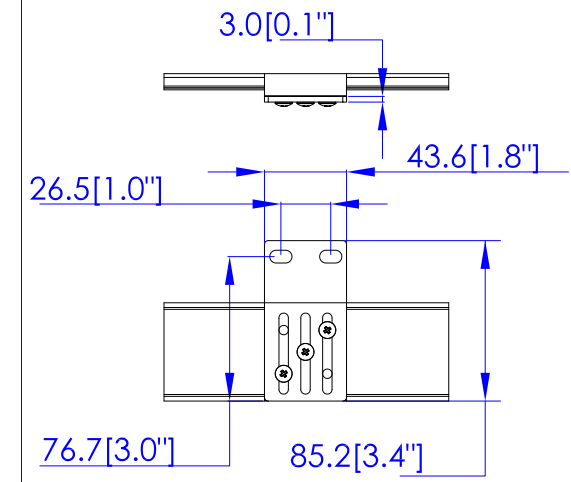
Option 1.



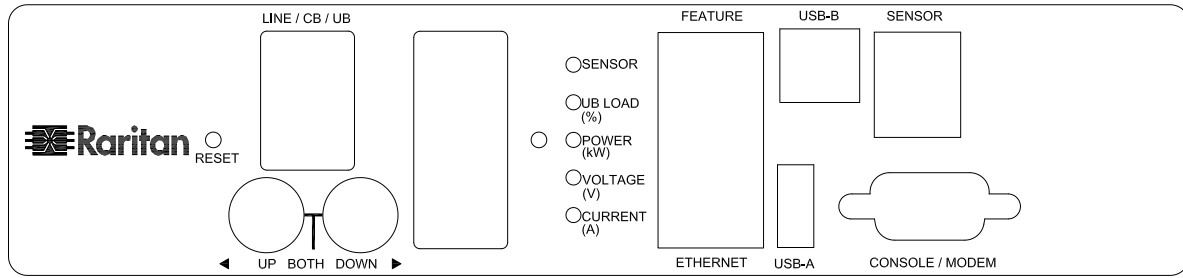
Option 2.



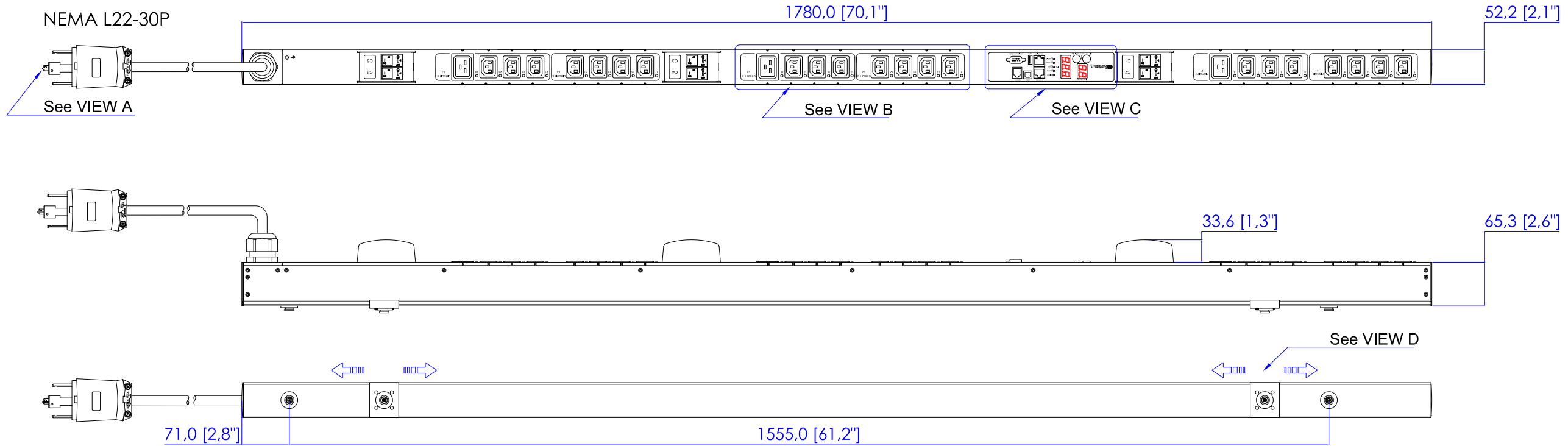
Option 3.



VIEW D



VIEW C



NOTES:  
1. ALL DIMENSIONS ARE MILLIMETERS [INCHES].



DRAWN : EVA LIN June 27, 2011  
ENGINEER: Kevin\_L June 28, 2011  
APPROVED: Kevin\_C June 29, 2011



DO NOT SCALE DRAWING  
SHEET 1 OF 1

THIS DRAWING AND SPECIFICATIONS HEREIN ARE THE PROPERTY OF RARITAN, INC. AND SHALL NOT BE COPIED, REPRODUCED OR USED, IN WHOLE OR IN PART, AS THE BASIS FOR THE MANUFACTURE OR SALE OF ITEMS WITHOUT WRITTEN PERMISSION FROM RARITAN, INC. THIS DRAWING IS BASED UPON LATEST AVAILABLE INFORMATION AND IS SUBJECT TO CHANGE WITHOUT NOTICE.

TITLE:  
iPDU Zero U,  
Three phase 24 A / 360V-415V  
Input : NEMA L22-30P  
Output : (21) IEC320 C13 , (3) IEC320 C19

DWG NO. **MPX2-2633** REV. **A**