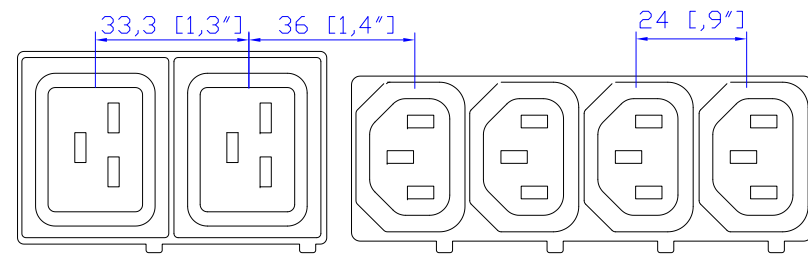


NEMA L21-20P

VIEW A

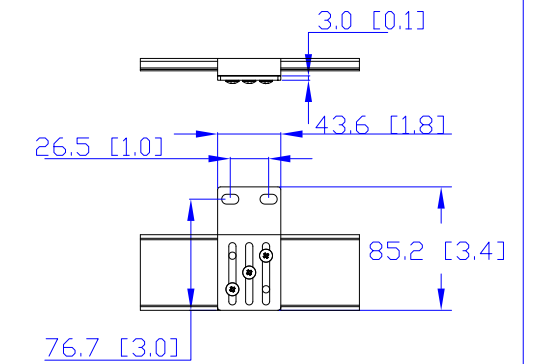
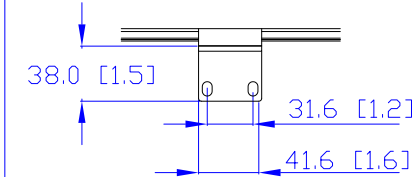
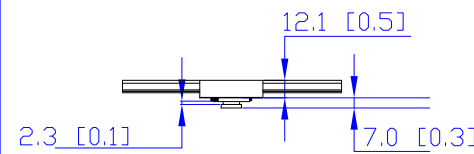


VIEW B

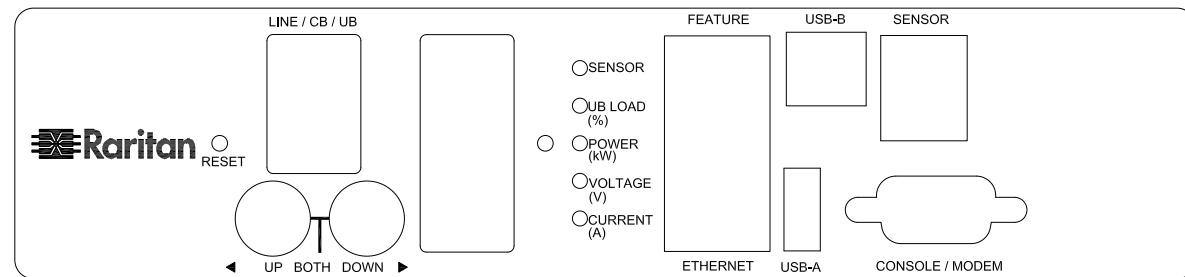
Option 1.

Option 2.

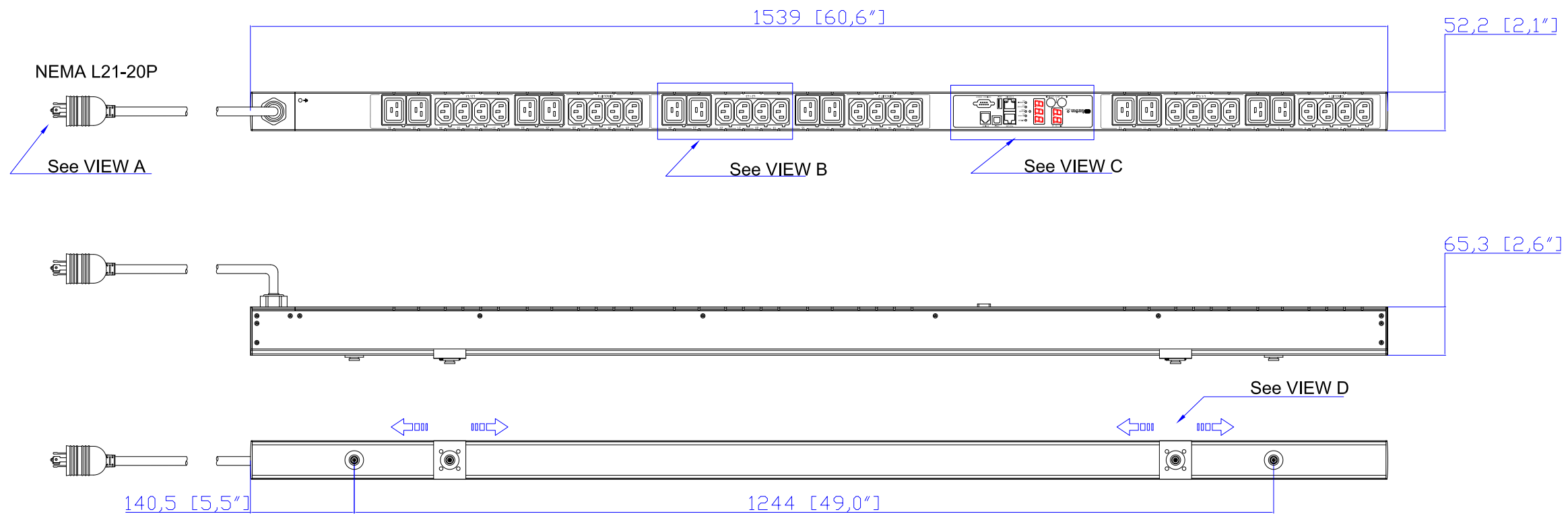
Option 3.



VIEW D



VIEW C



NOTES:
1. ALL DIMENSIONS ARE MILLIMETERS [INCHES].

		PROJECTION THIRD ANGLE DO NOT SCALE DRAWING SHEET 1 OF 1	TITLE:
			iPDU Zero U, Three Phase, 16A/190V-208V, Input: NEMA L21-20P Output: (24)IEC320 C13 & (12)IEC320 C19
DRAWN : EVA Lin	June 15, 2011	THIS DRAWING AND SPECIFICATIONS HEREIN ARE THE PROPERTY OF RARITAN, INC. AND SHALL NOT BE COPIED, REPRODUCED OR USED, IN WHOLE OR IN PART, AS THE BASIS FOR THE MANUFACTURE OR SALE OF ITEMS WITHOUT WRITTEN PERMISSION FROM RARITAN, INC. THIS DRAWING IS BASED UPON LATEST AVAILABLE INFORMATION AND IS SUBJECT TO CHANGE WITHOUT NOTICE..	DWG NO. MPX2-2735
ENGINEER: Kevin_L	June 16, 2011		REV. A
APPROVED: Kevin_C	June 20, 2011		