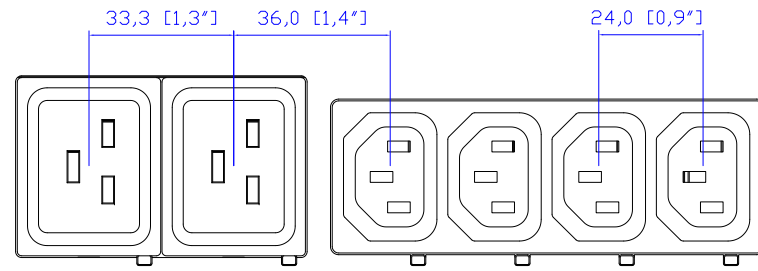
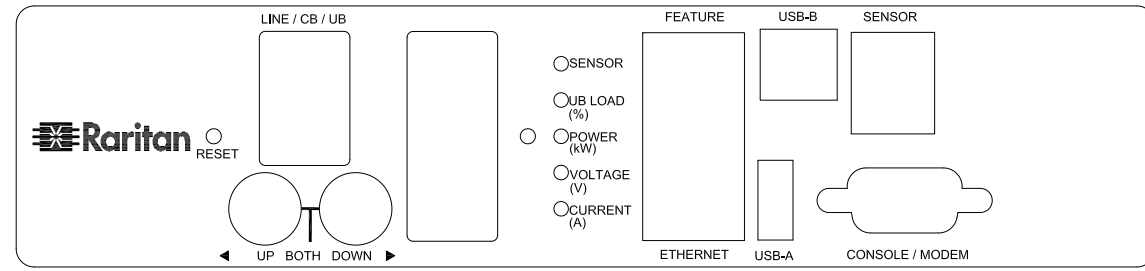


NEMA L21-20P

VIEW A

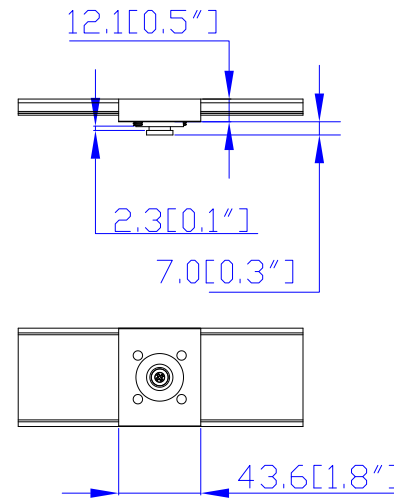


VIEW B

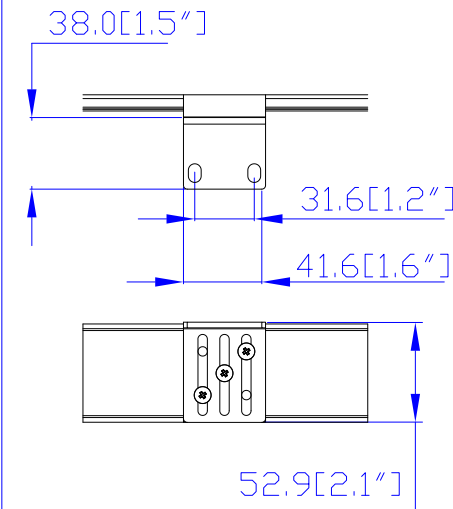


VIEW C

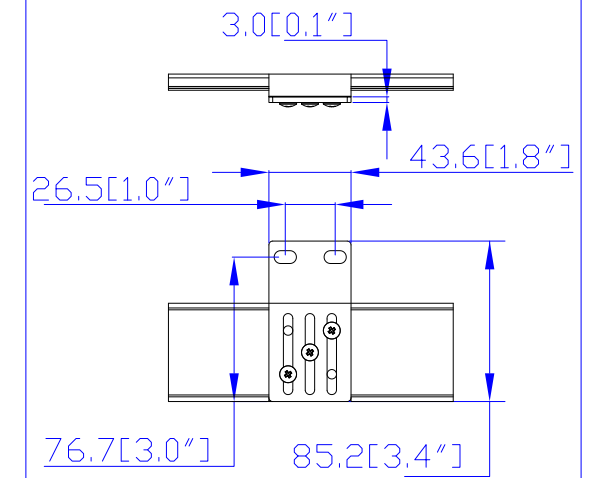
Option 1.



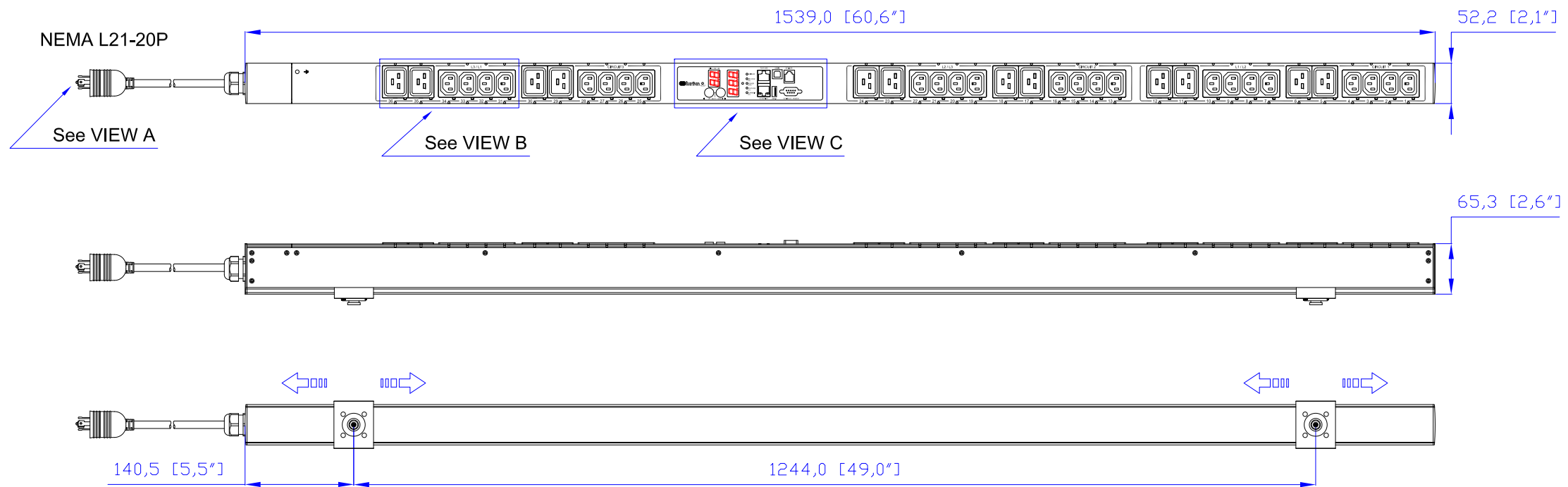
Option 2.



Option 3.



VIEW D



NOTES:
1.ALL DIMENSIONS ARE MILLIMETERS[INCHES].



DO NOT SCALE DRAWING
SHEET 1 OF 1

THIS DRAWING AND SPECIFICATIONS HEREIN ARE THE PROPERTY OF RARITAN, INC. AND SHALL NOT BE COPIED, REPRODUCED OR USED, IN WHOLE OR IN PART, AS THE BASIS FOR THE MANUFACTURE OR SALE OF ITEMS WITHOUT WRITTEN PERMISSION FROM RARITAN, INC. THIS DRAWING IS BASED UPON LATEST AVAILABLE INFORMATION AND IS SUBJECT TO CHANGE WITHOUT NOTICE.

DRAWN : EVA Lin Nov. 28,2012
ENGINEER: Kenny_C Nov. 28,2012
APPROVED: Tom_H Nov. 28,2012

TITLE: iPDU Zero U,
Three Phase, 16A/190V-208V,
Plug Type :NEMA L21-20P
Outlet Type:(24)IEC320 C13 ,
(12)IEC320 C19

DWG NO. **MPX2-2735U** REV. **A**