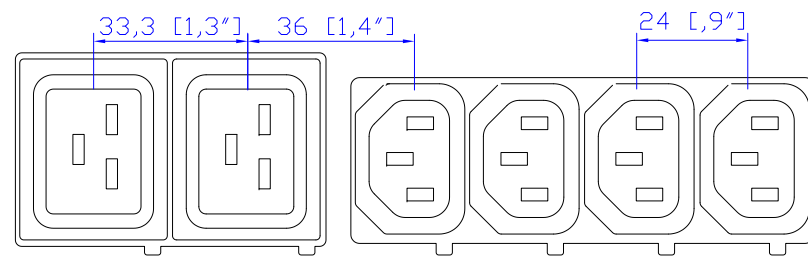


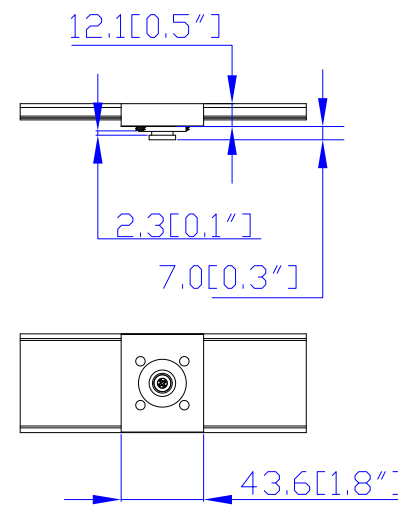
NEMA L22-20P

VIEW A

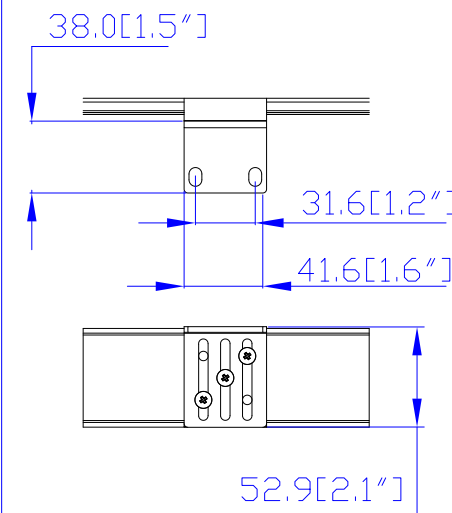


VIEW B

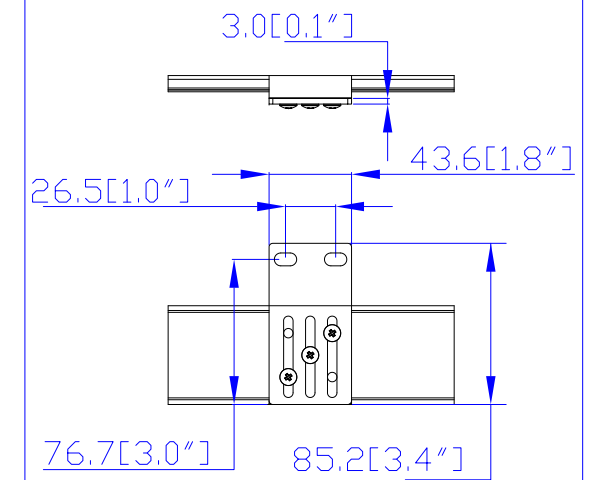
Option 1.



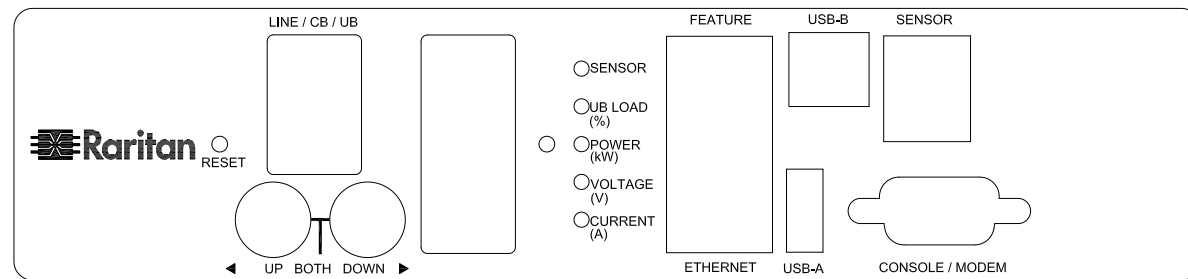
Option 2.



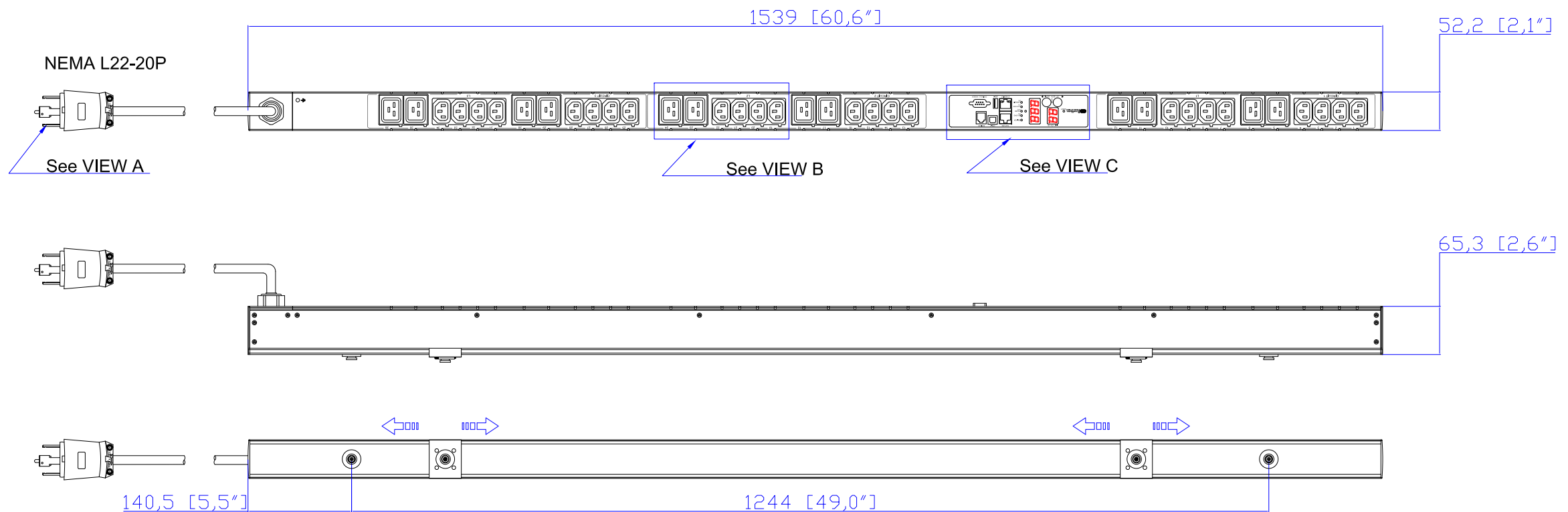
Option 3.



VIEW D



VIEW C



NOTES:  
1. ALL DIMENSIONS ARE MILLIMETERS [INCHES].



DO NOT SCALE DRAWING

SHEET 1 OF 1

THIS DRAWING AND SPECIFICATIONS HEREIN ARE THE PROPERTY OF RARITAN, INC. AND SHALL NOT BE COPIED, REPRODUCED OR USED, IN WHOLE OR IN PART, AS THE BASIS FOR THE MANUFACTURE OR SALE OF ITEMS WITHOUT WRITTEN PERMISSION FROM RARITAN, INC. THIS DRAWING IS BASED UPON LATEST AVAILABLE INFORMATION AND IS SUBJECT TO CHANGE WITHOUT NOTICE.

|           |         |               |
|-----------|---------|---------------|
| DRAWN :   | EVA Lin | June 15, 2011 |
| ENGINEER: | Kevin_L | June 16, 2011 |
| APPROVED: | Kevin_C | June 20, 2011 |

TITLE:  
iPDU Zero U,  
Three Phase, 16A/360V-415V,  
Input: NEMA L22-20P  
Output: (24)IEC320 C13 & (12)IEC320 C19

DWG NO. **MPX2-2737**

REV. **A**