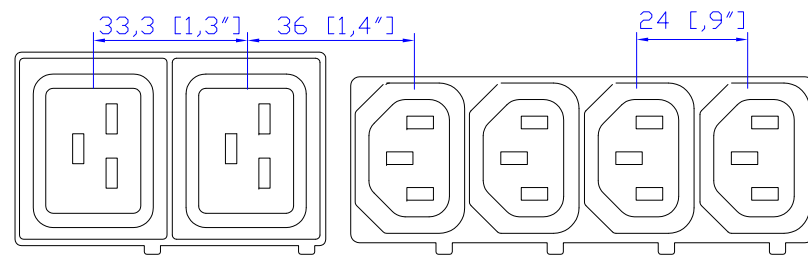


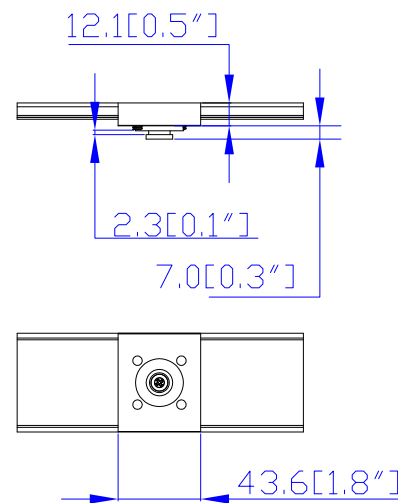
IEC60309 16A 3PY (UL)

VIEW A

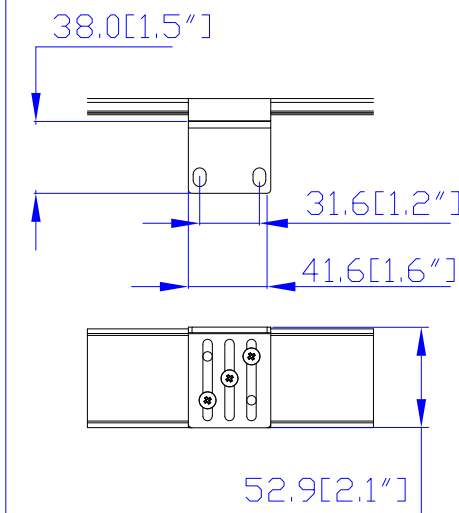


VIEW B

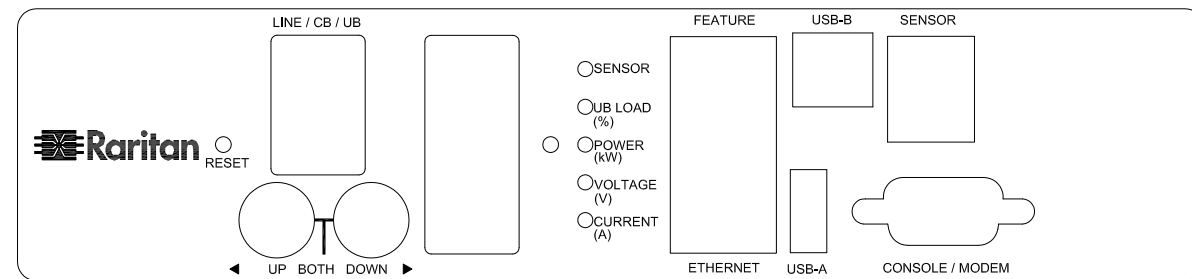
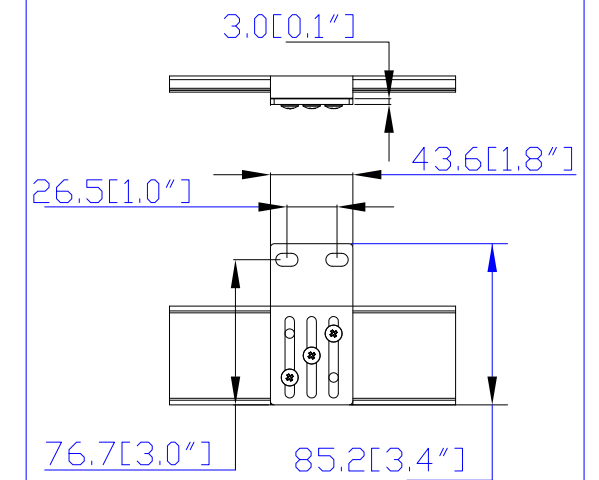
Option 1.



Option 2.

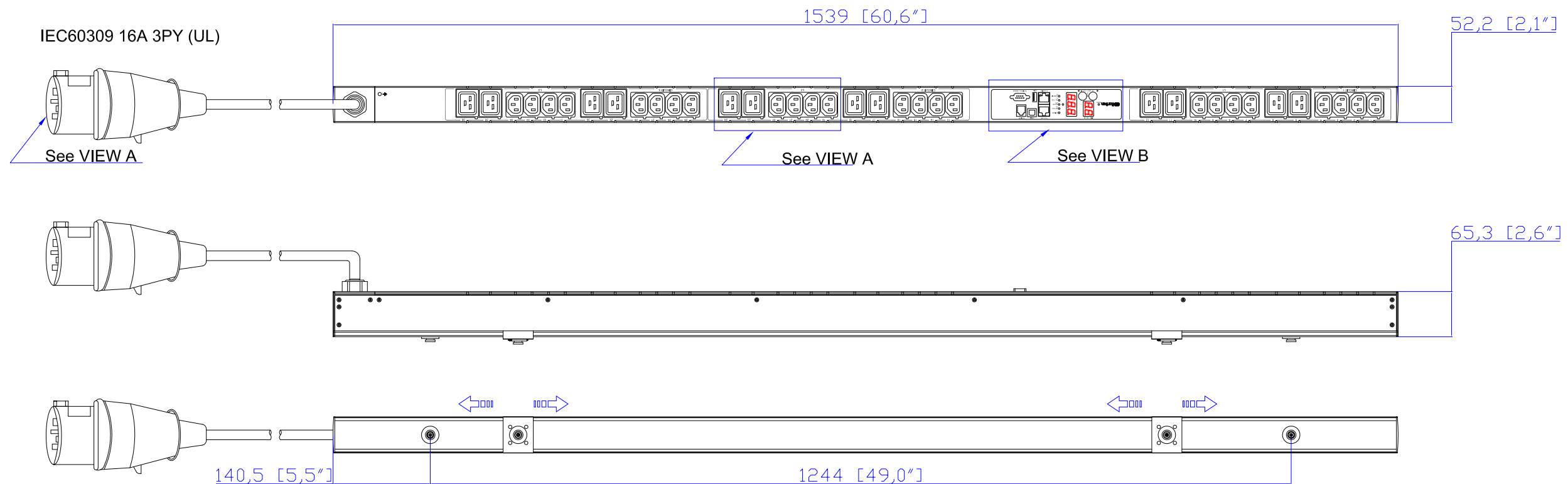


Option 3.



VIEW C

VIEW D



NOTES:
1. ALL DIMENSIONS ARE MILLIMETERS [INCHES].

 www.raritan.com		PROJECTION THIRD ANGLE	DO NOT SCALE DRAWING	TITLE: iPDU Zero U, Three Phase, 16A/360V-415V, Plug Type: IEC60309 16A 3PY (UL) , Outlet Type: (24)IEC320 C13 & (12)IEC320 C19
			SHEET 1 OF 1	
DRAWN : EVA Lin	Feb.05, 2014	THIS DRAWING AND SPECIFICATIONS HEREIN ARE THE PROPERTY OF RARITAN, INC. AND SHALL NOT BE COPIED, REPRODUCED OR USED, IN WHOLE OR IN PART, AS THE BASIS FOR THE MANUFACTURE OR SALE OF ITEMS WITHOUT WRITTEN PERMISSION FROM RARITAN, INC. THIS DRAWING IS BASED UPON LATEST AVAILABLE INFORMATION AND IS SUBJECT TO CHANGE WITHOUT NOTICE..		DWG NO. MPX2-2737I2
ENGINEER: Kenny_C	Feb.05, 2014			
APPROVED: Tom_H	Feb.05, 2014			