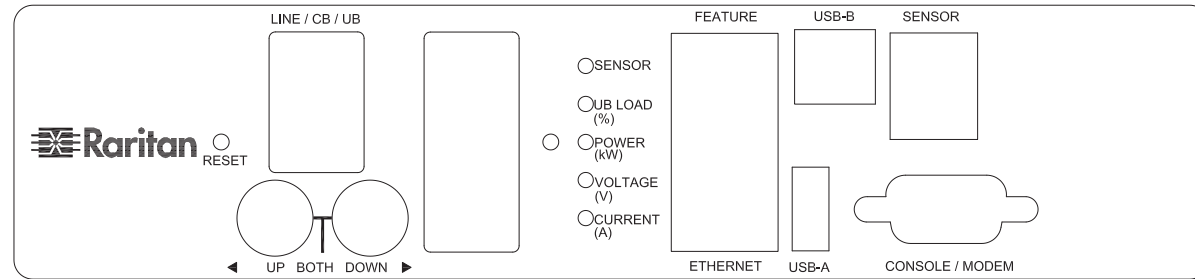
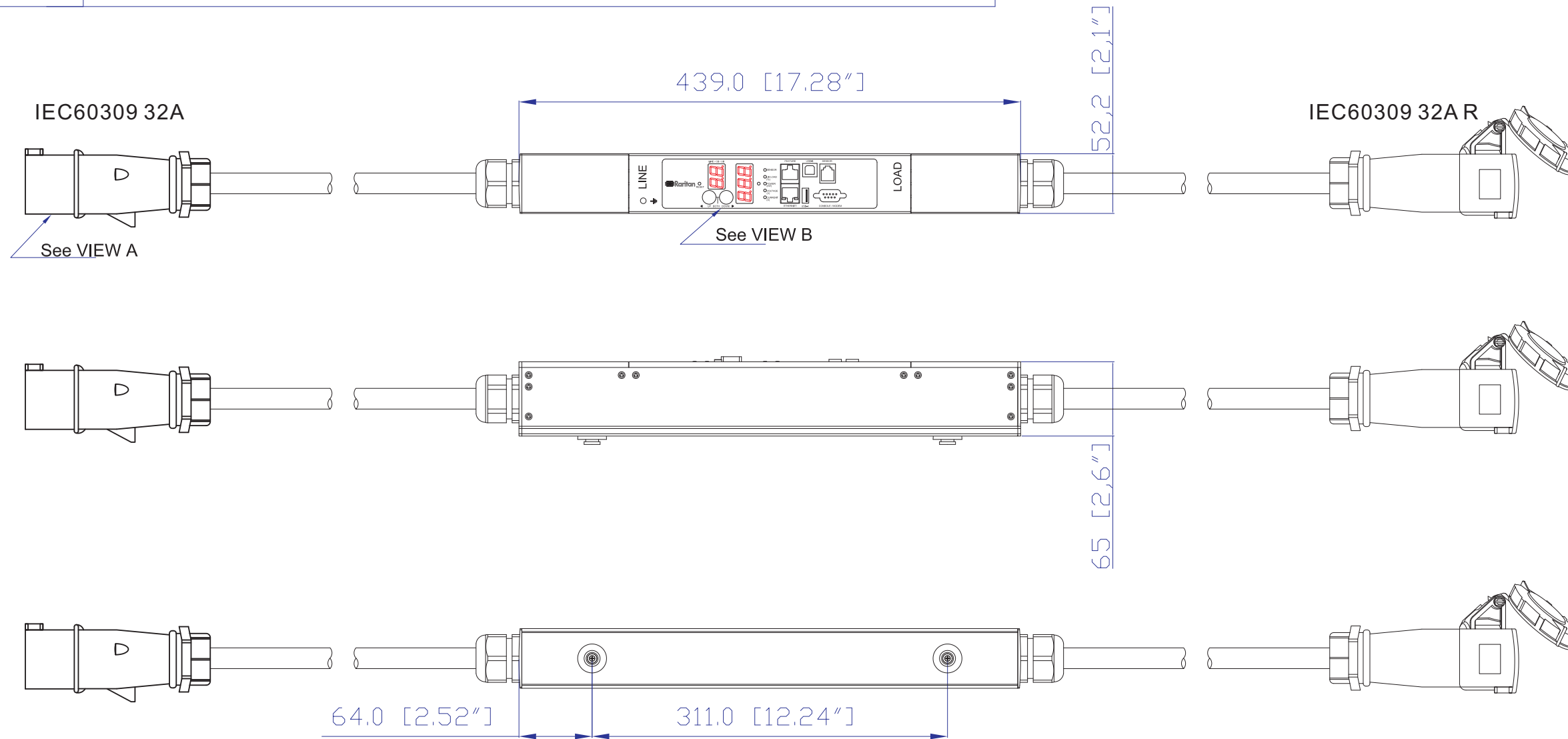


IEC60309 32A  
VIEW A



VIEW B

Family Model Name	Input Plug	Output Receptacle
PX2-3122	3M	3M
PX2-3122-A7A13	1M	0.6M



NOTES:

1. ALL DIMENSIONS ARE MILLIMETERS [INCHES].



DRAWN : Tom Hsueh Apr. 19. 2013  
 ENGINEER: Tom Hsueh Apr. 19. 2013  
 APPROVED: Tom Hsueh Apr. 19. 2013



DO NOT SCALE DRAWING

SHEET 1 OF 1

THIS DRAWING AND SPECIFICATIONS HEREIN ARE THE PROPERTY OF RARITAN, INC. AND SHALL NOT BE COPIED, REPRODUCED OR USED, IN WHOLE OR IN PART, AS THE BASIS FOR THE MANUFACTURE OR SALE OF ITEMS WITHOUT WRITTEN PERMISSION FROM RARITAN, INC. THIS DRAWING IS BASED UPON LATEST AVAILABLE INFORMATION AND IS SUBJECT TO CHANGE WITHOUT NOTICE.

TITLE:  
 iPDU Zero U  
 Single Phase 32A/ 100-240V  
 Input Plug: IEC60309 32A  
 Output Plug: IEC60309 32A R

DWG NO.

MPX2-3122

REV.

A