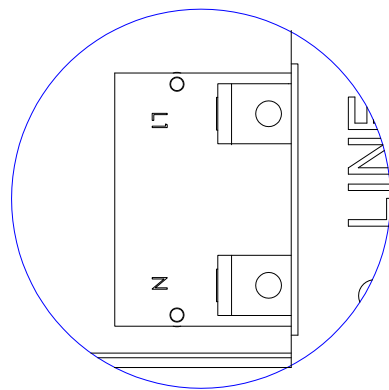


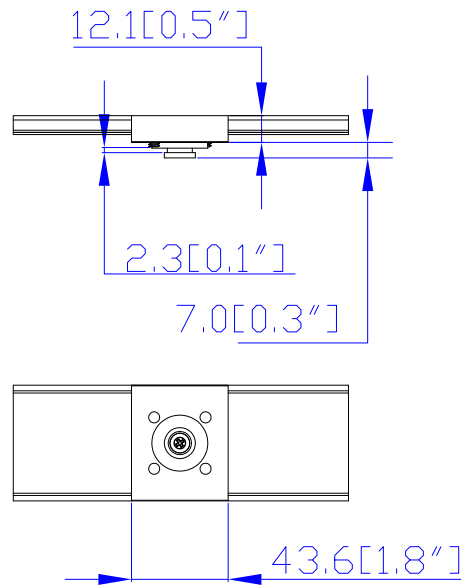
VIEW A



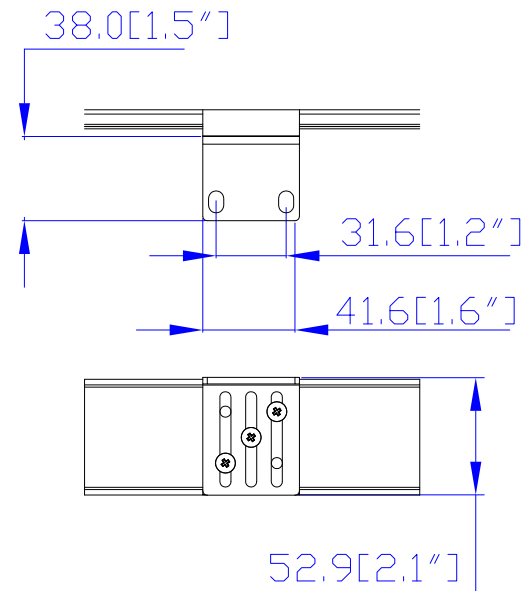
- 1. KST RNBS 5-5 or equivalent terminals for 10~12 AWG Wire
- 2. Inside diameter 5.3 mm & Outside diameter 8.8mm ring for M6 screw

VIEW B

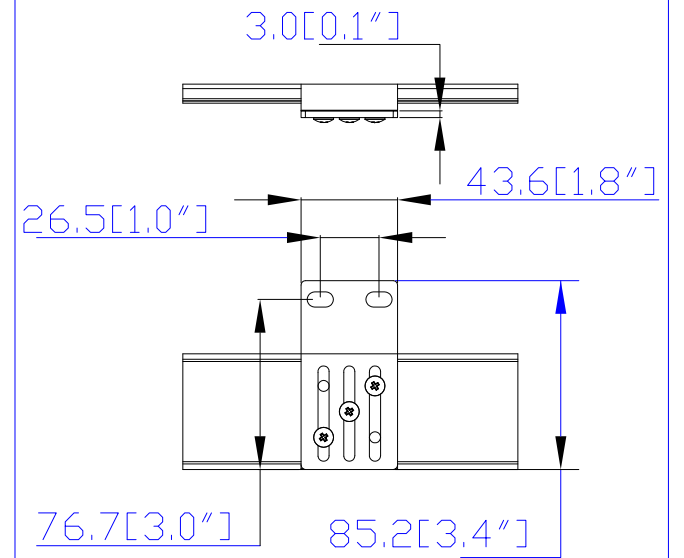
Option 1.



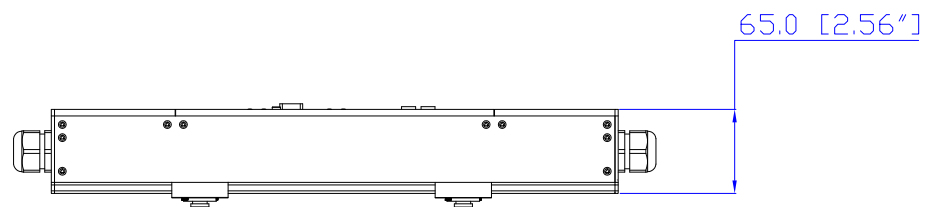
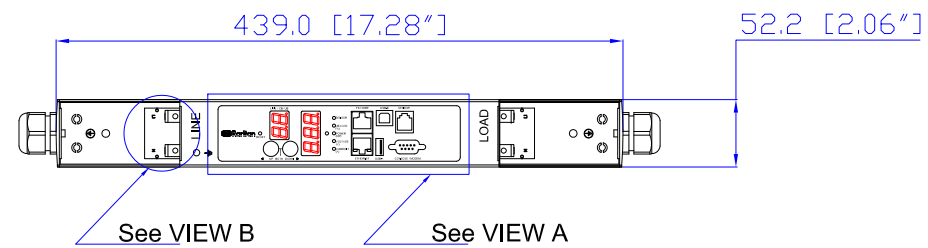
Option 2.



Option 3.

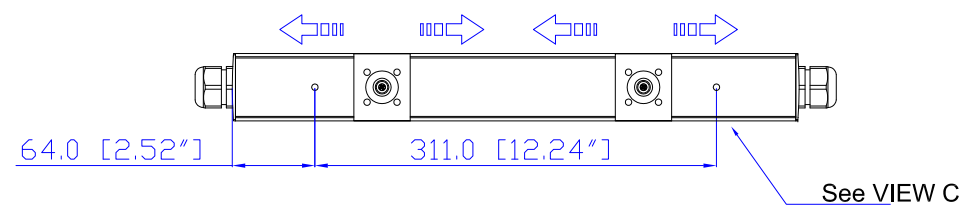


VIEW C



M40 Cable Gland
Assembly Wire Range: 22~32mm

NOTES:
1. ALL DIMENSIONS ARE MILLIMETERS [INCHES].



DRAWN : EVALIN Nov.21, 2013
ENGINEER: Sam_L Nov.21, 2013
APPROVED: Tom_H Nov.21, 2013

PROJECTION THIRD ANGLE
DO NOT SCALE DRAWING
SHEET 1 OF 1
THIS DRAWING AND SPECIFICATIONS HEREIN ARE THE PROPERTY OF RARITAN, INC. AND SHALL NOT BE COPIED, REPRODUCED OR USED, IN WHOLE OR IN PART, AS THE BASIS FOR THE MANUFACTURE OR SALE OF ITEMS WITHOUT WRITTEN PERMISSION FROM RARITAN, INC. THIS DRAWING IS BASED UPON LATEST AVAILABLE INFORMATION AND IS SUBJECT TO CHANGE WITHOUT NOTICE.

TITLE: iPDU Zero U,
Single phase 64A / 100V-240V
Input Plugs: 63A Terminal (1)
Output Plugs: 63A Terminal (1)
DWG NO. **MPX2-3130** REV. **A**