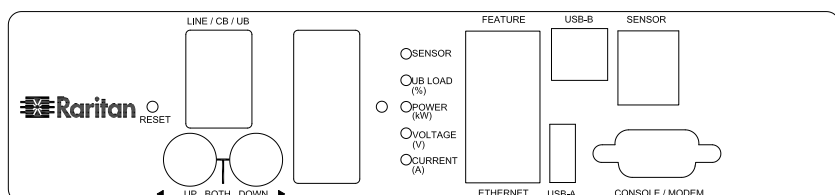


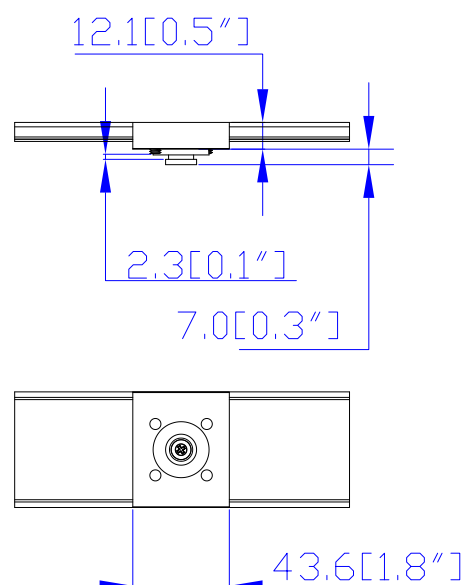
IEC60309 60A

VIEW A

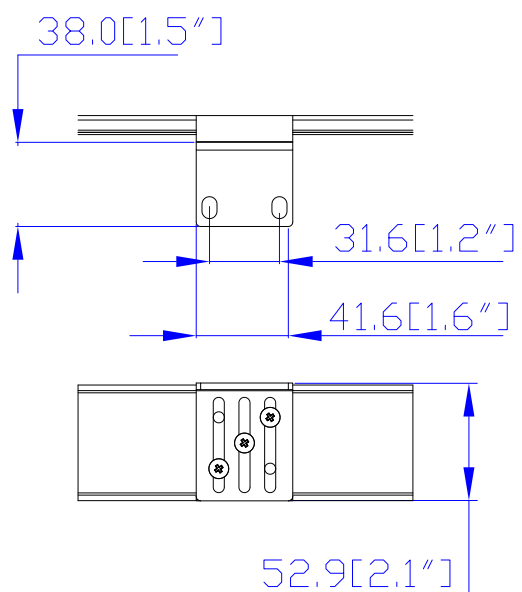


VIEW B

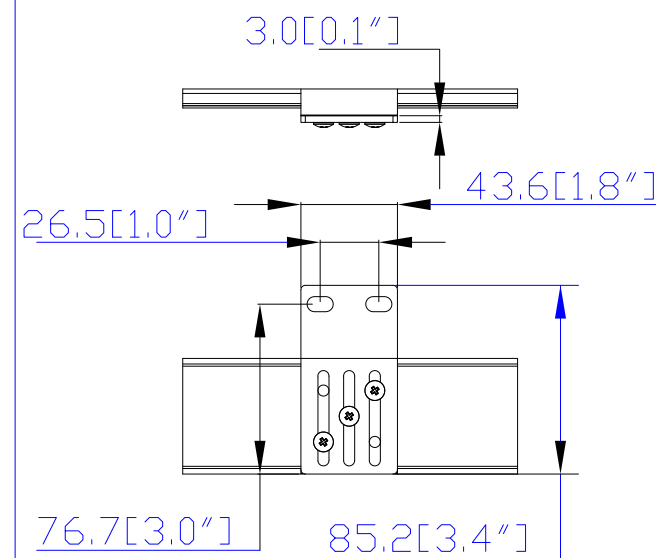
Option 1.



Option 2.



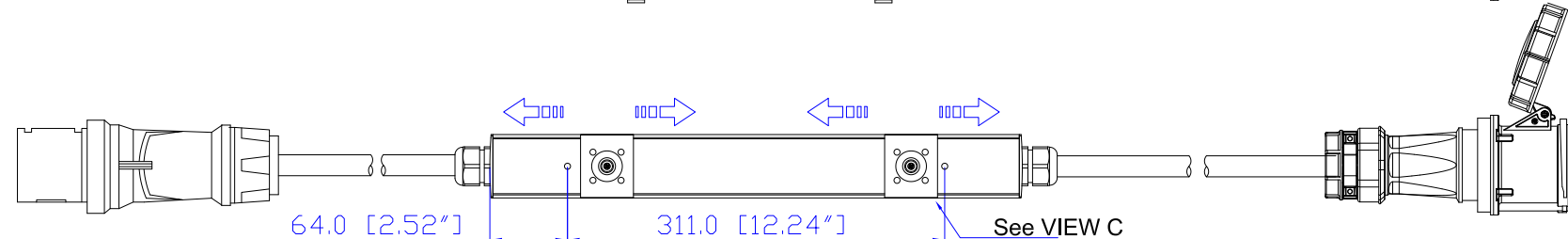
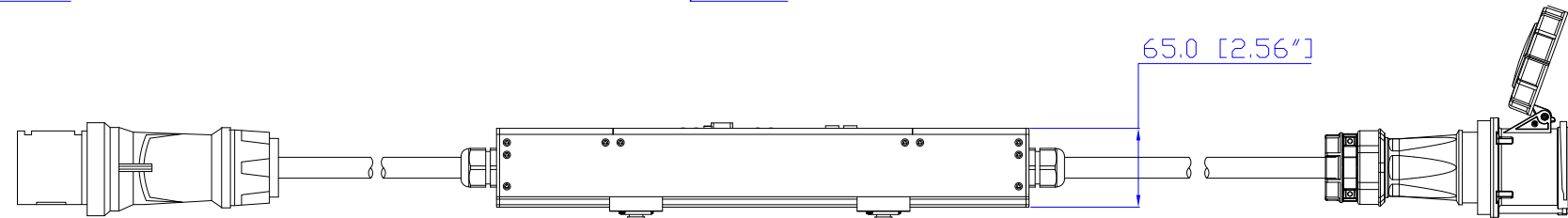
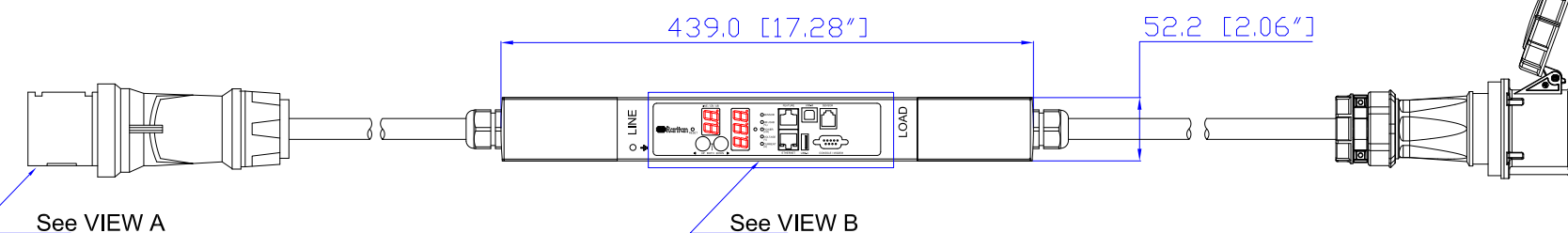
Option 3.



VIEW C

IEC60309 60A

IEC60309 60A



NOTES:
1. ALL DIMENSIONS ARE MILLIMETERS [INCHES].



DRAWN : EVALIN Jul. 11, 2013
ENGINEER: Sam_L Jul. 11, 2013
APPROVED: Tom_H Jul. 11, 2013

PROJECTION THIRD ANGLE

DO NOT SCALE DRAWING
SHEET 1 OF 1

THIS DRAWING AND SPECIFICATIONS HEREIN ARE THE PROPERTY OF RARITAN, INC. AND SHALL NOT BE COPIED, REPRODUCED OR USED, IN WHOLE OR IN PART, AS THE BASIS FOR THE MANUFACTURE OR SALE OF ITEMS WITHOUT WRITTEN PERMISSION FROM RARITAN, INC. THIS DRAWING IS BASED UPON LATEST AVAILABLE INFORMATION AND IS SUBJECT TO CHANGE WITHOUT NOTICE.

TITLE: iPDU Zero U,
Single phase 48A / 100-240V
Input Plugs: IEC60309 60A (1)
Output Plugs: IEC60309 60A (1)

DWG NO. **MPX2-3133**

REV. **A**