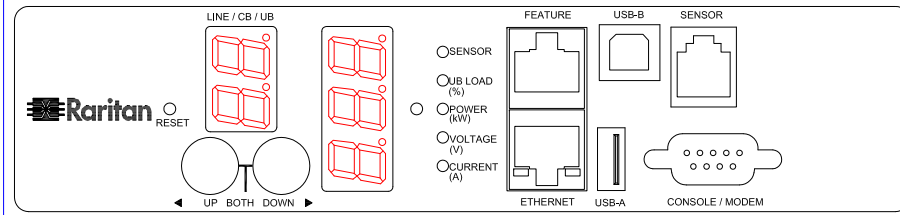


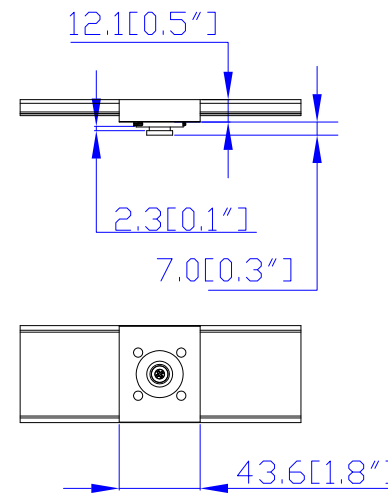
IEC60309 30A 3P

VIEW A

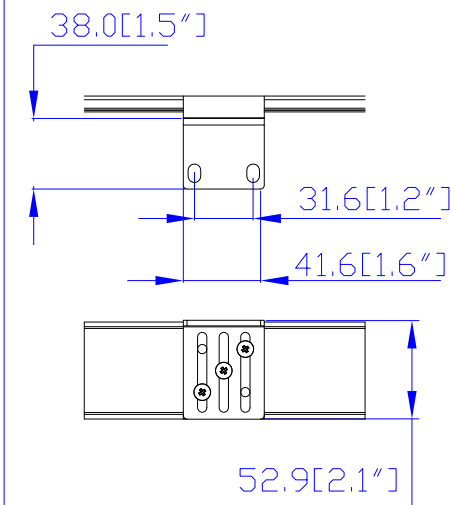


VIEW B

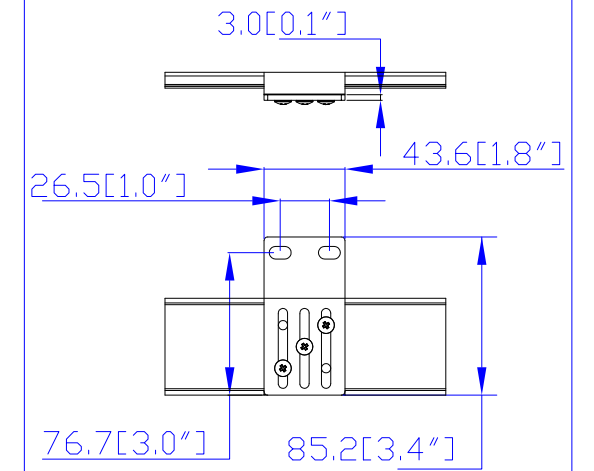
Option 1.



Option 2.

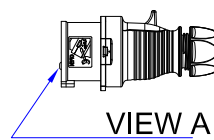


Option 3.



VIEW C

IEC60309 30A 3P

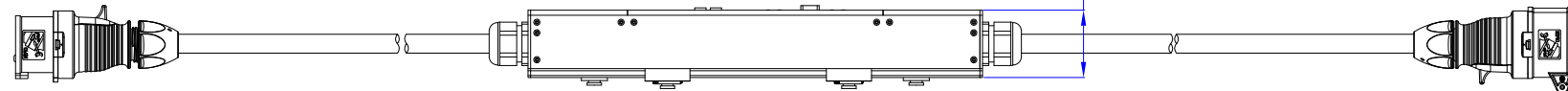


439 [17.3"]

VIEW B

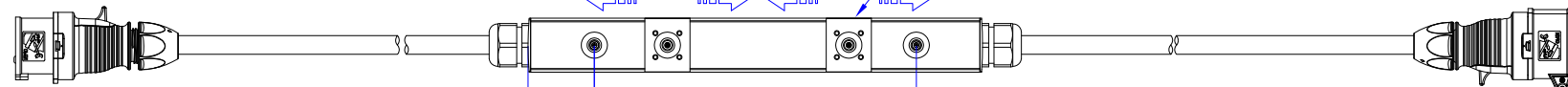
52 [2.1"]

IEC60309 30A 3P R



65 [2.6"]

VIEW C



64.0 [2.5"]

311.0 [12.2"]

NOTES:

1.ALL DIMENSIONS ARE MILLIMETERS[INCHES].



Drawing Maker:	EVALIN	Apr. 26,2016
Design Engineer:	Siang_H	Apr. 26,2016
Approver:	Tom_H	Apr. 26,2016



DO NOT SCALE DRAWING

SHEET 1 OF 1

THIS DRAWING AND SPECIFICATIONS HEREIN ARE THE PROPERTY OF RARITAN, INC. AND SHALL NOT BE COPIED, REPRODUCED OR USED, IN WHOLE OR IN PART, AS THE BASIS FOR THE MANUFACTURE OR SALE OF ITEMS WITHOUT WRITTEN PERMISSION FROM RARITAN, INC. THIS DRAWING IS BASED UPON LATEST AVAILABLE INFORMATION AND IS SUBJECT TO CHANGE WITHOUT NOTICE.

TITLE:
 iPDU Zero U
 Three phase 24A 208V-240V
 Input Plug:IEC60309 30A 3P(1)
 Output Plug :IEC60309 30A 3P R (1)

DWG NO. **MPX2-3176I** REV. **0A**