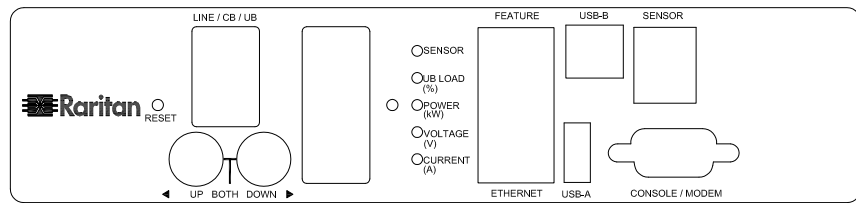


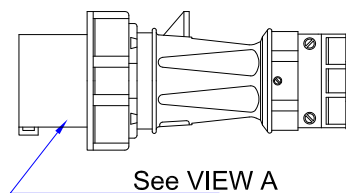
IEC60309 60A 3P

VIEW A

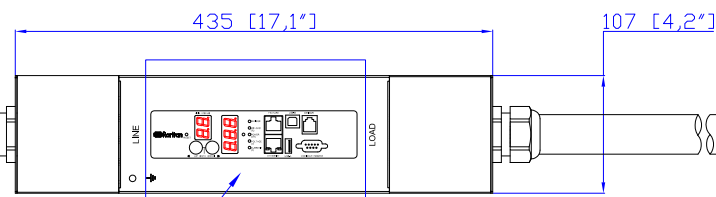


VIEW B

IEC60309 60A 3P

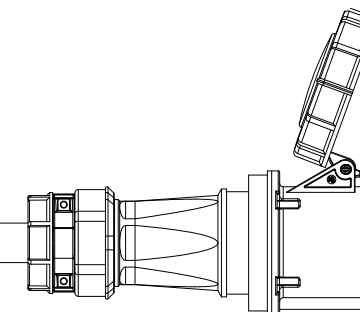
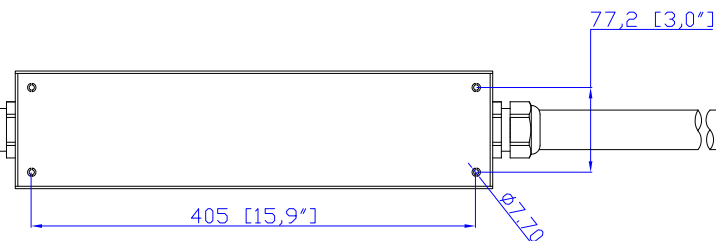
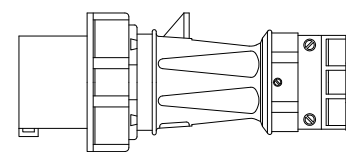
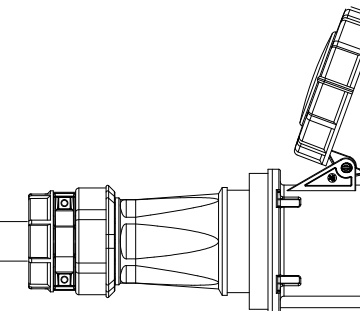
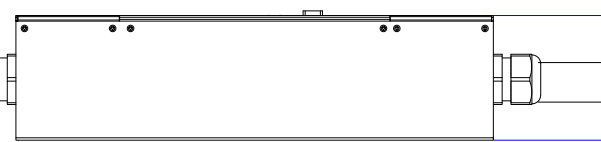
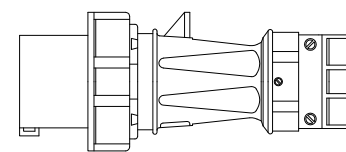
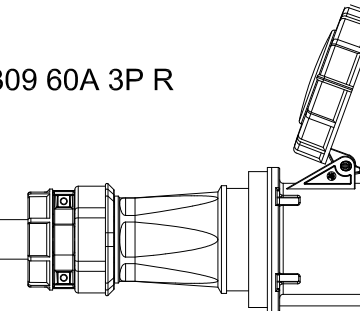


See VIEW A



See VIEW B

IEC60309 60A 3P R



NOTES:  
1. ALL DIMENSIONS ARE MILLIMETERS [INCHES].



DO NOT SCALE DRAWING  
SHEET 1 OF 1

THIS DRAWING AND SPECIFICATIONS HEREIN ARE THE PROPERTY OF RARITAN, INC. AND SHALL NOT BE COPIED, REPRODUCED OR USED, IN WHOLE OR IN PART, AS THE BASIS FOR THE MANUFACTURE OR SALE OF ITEMS WITHOUT WRITTEN PERMISSION FROM RARITAN, INC. THIS DRAWING IS BASED UPON LATEST AVAILABLE INFORMATION AND IS SUBJECT TO CHANGE WITHOUT NOTICE.

DRAWN :	EVA LIN	Dec. 22, 2014
ENGINEER:	Sam_L	Dec. 22, 2014
APPROVED:	Tom_H	Dec. 22, 2014

TITLE:  
iPDU Zero U  
Three phase 48A / 208V-240V  
Input Plugs:(1)IEC60309 60A 3P  
Output Plugs:(1)IEC60309 60A 3P R

DWG NO. **MPX2-3183** REV. **0B**