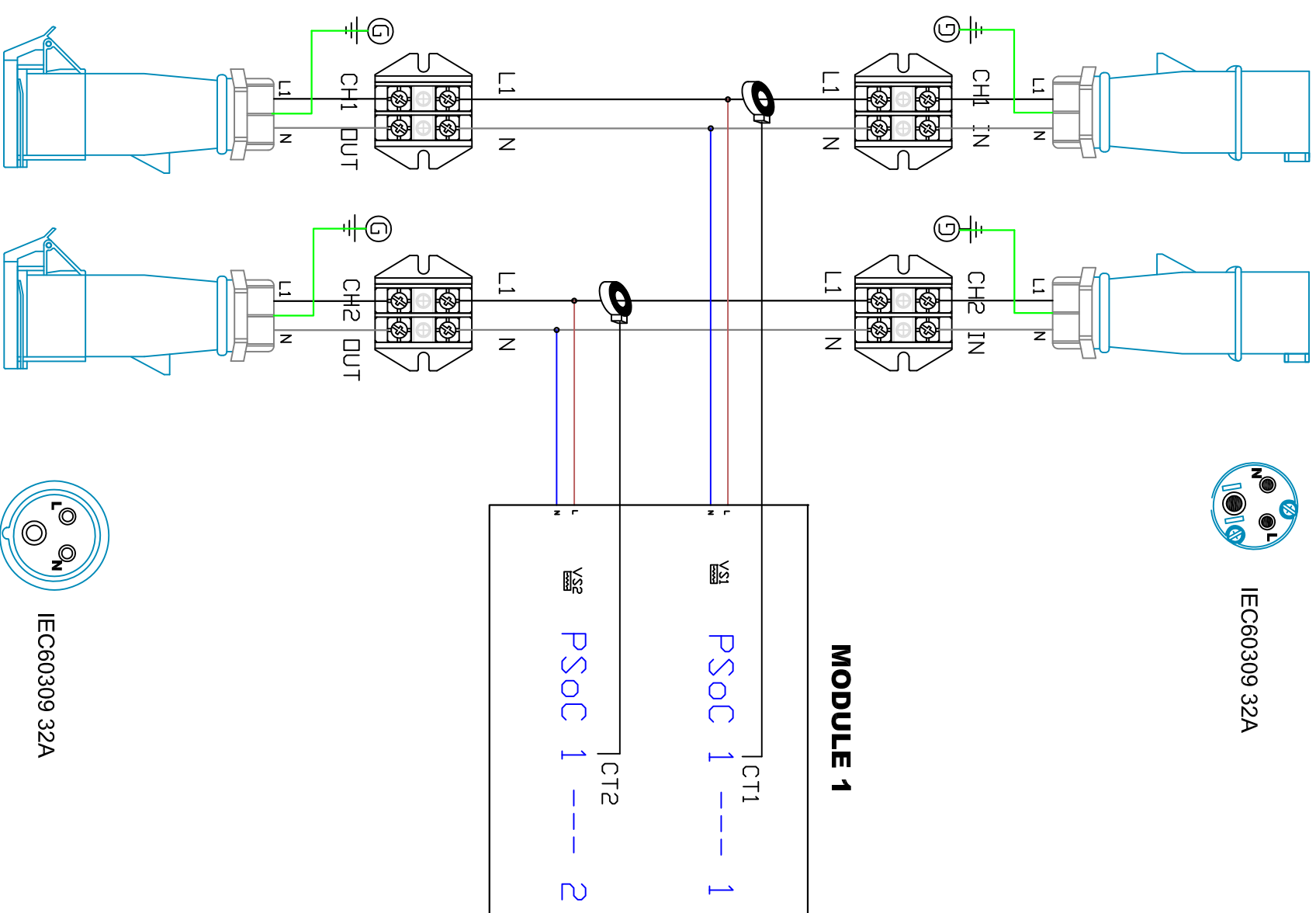


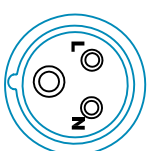
INPUT



IEC60309 32A



LOAD

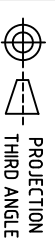


IEC60309 32A



www.raritan.com

DRAWN : Albert NOV/03/2014
 ENGINEER: Albert NOV/03/2014
 APPROVED: Bright Yu NOV/03/2014



PROJECTION
THIRD ANGLE

DO NOT SCALE DRAWING
SHEET 1 OF 1

THIS DRAWING AND SPECIFICATIONS HEREIN ARE THE PROPERTY OF RARITAN, INC. AND SHALL NOT BE COPIED, REPRODUCED OR USED, IN WHOLE OR IN PART, AS THE BASIS FOR THE MANUFACTURE OR SALE OF ITEMS WITHOUT WRITTEN PERMISSION FROM RARITAN, INC. THIS DRAWING IS BASED UPON LATEST AVAILABLE INFORMATION AND IS SUBJECT TO CHANGE WITHOUT NOTICE.

TITLE:
iPDU 1U, Metered only, Single phase
32A x 2 / 200-240V

Input : IEC60309 32A x2
 Output : (2) IEC60309 32A R

DWG NO.

TPX2-3222

REV.
0A