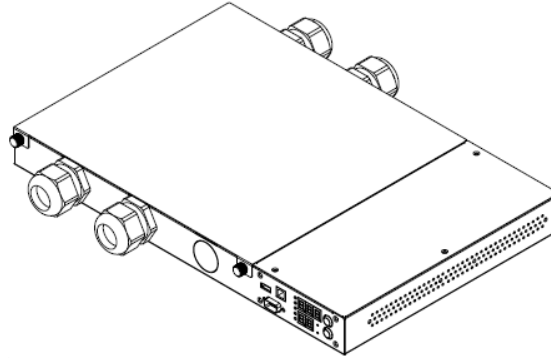


## LINE DRAWING



**415V, 3Φ Wye, 32A**

## FEATURES

|                                            |                                                                                                            |
|--------------------------------------------|------------------------------------------------------------------------------------------------------------|
| <b>Energy Metering</b>                     | Voltage (V), Current (A), Active Power (kW), Real Power (kVA), Energy (kWh), Power Factor                  |
| <b>Metering Accuracy</b>                   | ISO/IEC 62053-21 1%                                                                                        |
| <b>Metering per input line</b>             | Yes                                                                                                        |
| <b>Metering per Branch Circuit Breaker</b> | No                                                                                                         |
| <b>Metering per Output Receptacle</b>      | No                                                                                                         |
| <b>Remote Outlet Switching</b>             | No                                                                                                         |
| <b>Environmental Sensor Ready</b>          | Yes                                                                                                        |
| <b>Compatible Sensors</b>                  | Temperature, Humidity, Air Flow, Differential Pressure, Water Leak, and Contact Closure.                   |
| <b>Networking</b>                          | 10/100 BaseT Ethernet. Optional WiFi (802.11a/b/g/n)                                                       |
| <b>Remote Management</b>                   | HTTP(s); SSH; Telnet; RS-232 (Serial); Power IQ; SNMP version v2/v3; SMTP; JSON-RPC                        |
| <b>Cascading</b>                           | Yes, Max 8 PDUs can be daisy chained using a single Ethernet connection                                    |
| <b>Onboard Display</b>                     | 3-digit LED user-selectable display (voltage, current, or active power : per line). Auto-flip orientation. |

## INPUT

|                              |                                |
|------------------------------|--------------------------------|
| <b>Input Plug</b>            | AC Terminal (N/A)              |
| <b>Cord Length</b>           | N/A                            |
| <b>Cord Entry</b>            | Rear feed                      |
| <b>Cable Type</b>            | (415V 3 phase)                 |
| <b>Number of Power Cords</b> | N/A                            |
| <b>Maximum Input Current</b> | 32A                            |
| <b>Nominal Input Voltage</b> | 415V                           |
| <b>Rated Input Voltage</b>   | 190 - 415V                     |
| <b>Input Frequency</b>       | 50/60Hz                        |
| <b>Power Capacity</b>        | 0.0kVA at 190V, 0.0kVA at 415V |

## OUTPUT

|                                         |                      |
|-----------------------------------------|----------------------|
| <b>Nominal Output Voltage</b>           | 415V                 |
| <b>Rated Output Voltage</b>             | 190 - 415V           |
| <b>Receptacles (Output Connections)</b> | (2) AC Terminal, 63A |
| <b>Overload Protection</b>              | N/A                  |

## PHYSICAL

|                                    |                                                  |
|------------------------------------|--------------------------------------------------|
| <b>Color</b>                       | Black powder coat (custom colors available)      |
| <b>Unit Dimensions (WxDxH)</b>     | 17.3" x 15.7" x 3.4" ; 440 mm x 400 mm x 88 mm   |
| <b>Unit Weight</b>                 | 6 kg                                             |
| <b>Shipping Weight</b>             | 7 kg                                             |
| <b>Shipping Dimensions (WxDxH)</b> | 19.72" x 11.02" x 22.05" ; 501mm x 280mm x 560mm |
| <b>Mounting</b>                    | RACK-KIT-PX-1U-P                                 |

## ENVIRONMENTAL

---

|                                          |           |
|------------------------------------------|-----------|
| <b>Operating Temperature/Environment</b> | 60°C      |
| <b>Operating Relative Humidity</b>       | 85%       |
| <b>Operating Elevation</b>               | 0-10000ft |

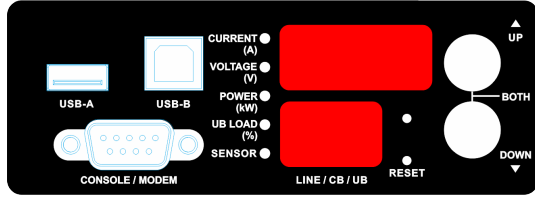
## CONFORMANCE

---

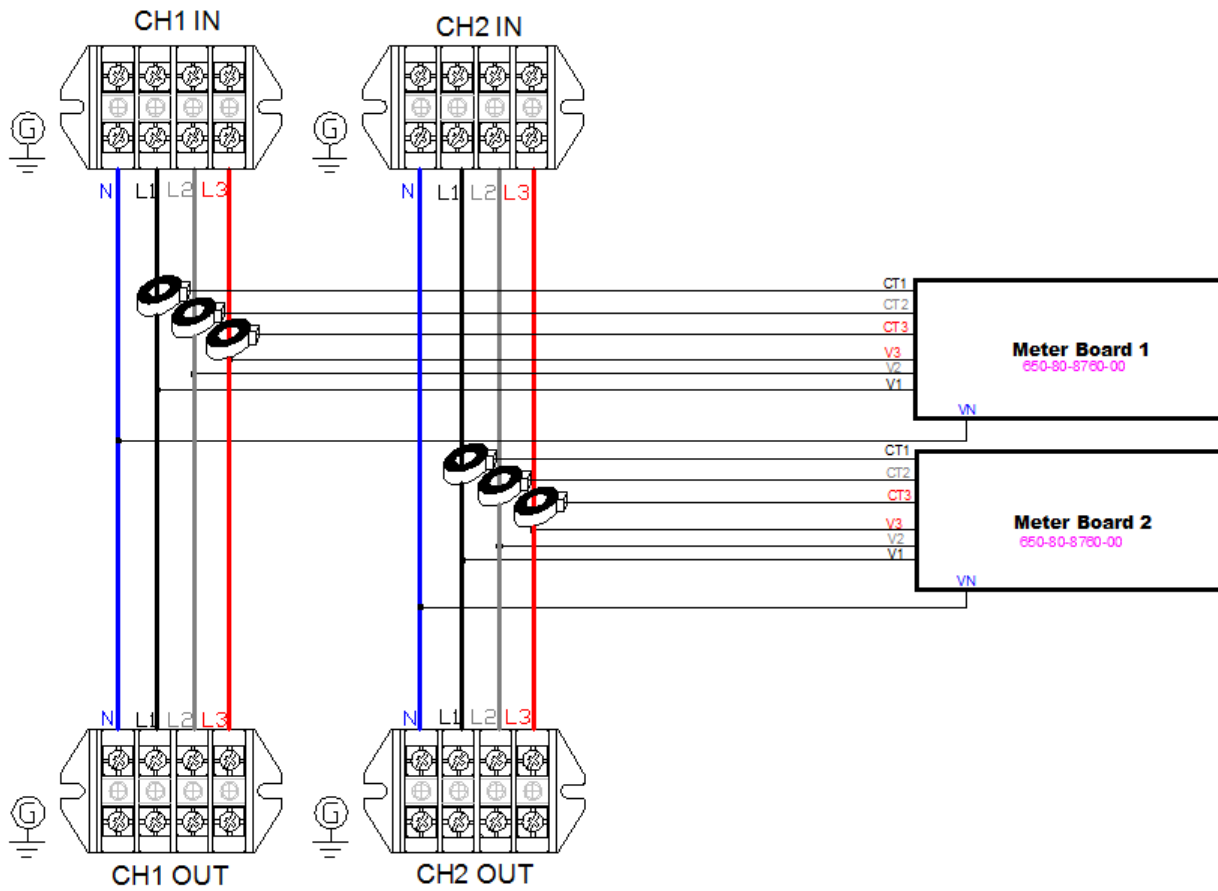
|                             |                                                                                            |
|-----------------------------|--------------------------------------------------------------------------------------------|
| <b>Regulatory Approvals</b> | UL Listed and CE, Canada ICES-003, Class A Part 15 Class A of the FCC rules RoHS compliant |
| <b>Warranty</b>             | Standard 2 years manufacturer warranty                                                     |

## CONTROL PANEL

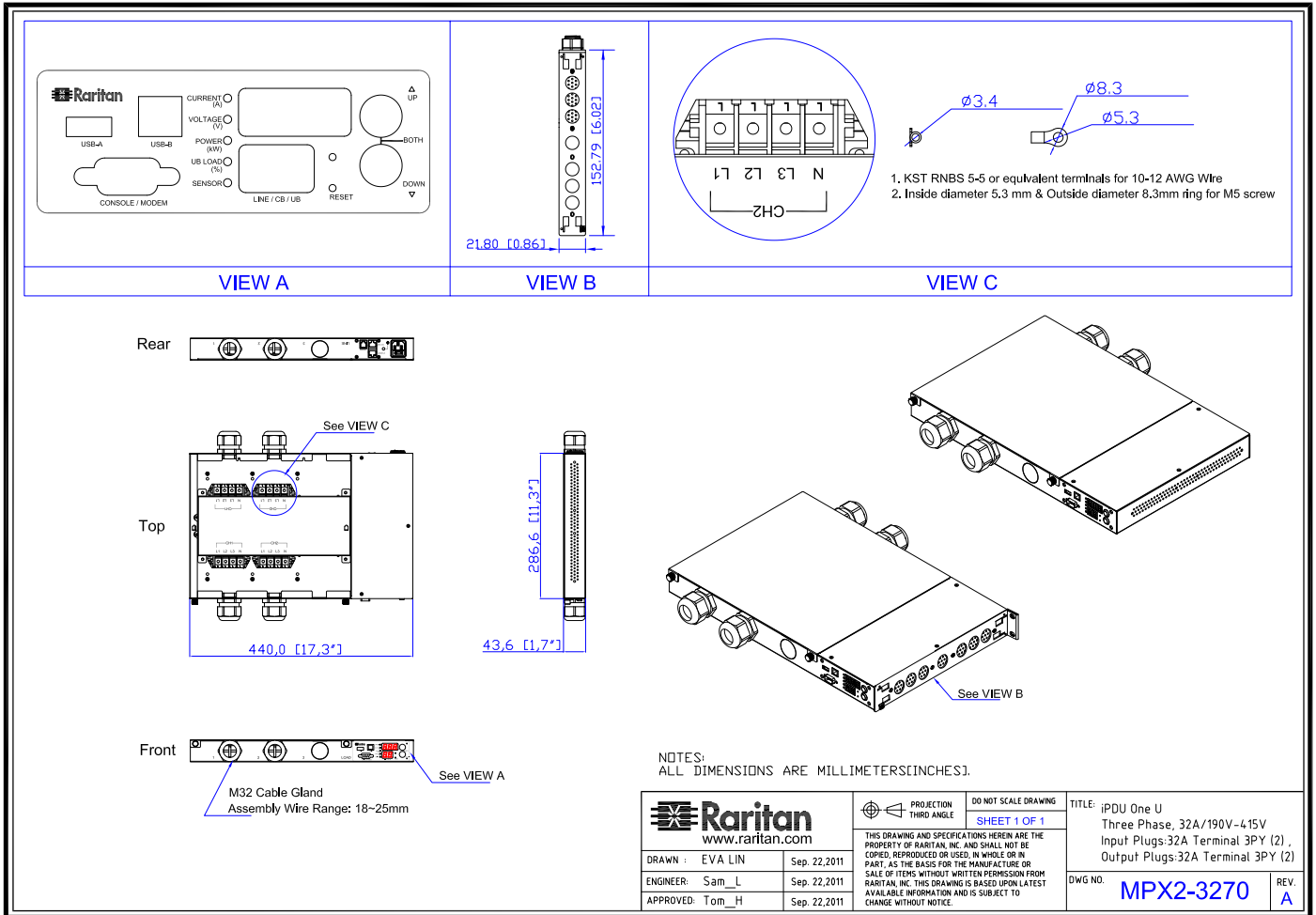
Dimension: 111.5mm x 40.5mm



**ELECTRICAL (ONE LINE) DIAGRAM**



**MECHANICAL DIAGRAM**



NOTES:  
ALL DIMENSIONS ARE MILLIMETERS[INCHES].

|                                                       |                                              |                                                                                                                                                                                                                                                                                                                                                            |                                      |                                                                                                                            |
|-------------------------------------------------------|----------------------------------------------|------------------------------------------------------------------------------------------------------------------------------------------------------------------------------------------------------------------------------------------------------------------------------------------------------------------------------------------------------------|--------------------------------------|----------------------------------------------------------------------------------------------------------------------------|
| <b>Raritan</b><br>www.raritan.com                     |                                              | PROJECTION<br>THIRD ANGLE                                                                                                                                                                                                                                                                                                                                  | DO NOT SCALE DRAWING<br>SHEET 1 OF 1 | TITLE: iPDU One U<br>Three Phase, 32A/190V-415V<br>Input Plugs:32A Terminal 3PY (2) .<br>Output Plugs:32A Terminal 3PY (2) |
|                                                       |                                              | <small>THIS DRAWING AND SPECIFICATIONS HEREIN ARE THE PROPERTY OF RARITAN, INC. AND SHALL NOT BE COPIED, REPRODUCED OR USED, IN WHOLE OR IN PART, AS THE BASIS FOR THE MANUFACTURE OR SALE OF ITEMS WITHOUT WRITTEN PERMISSION FROM RARITAN, INC. THIS DRAWING IS BASED UPON LATEST AVAILABLE INFORMATION AND IS SUBJECT TO CHANGE WITHOUT NOTICE.</small> |                                      |                                                                                                                            |
| DRAWN : EVA LIN<br>ENGINEER: Sam_L<br>APPROVED: Tom_H | Sep. 22,2011<br>Sep. 22,2011<br>Sep. 22,2011 |                                                                                                                                                                                                                                                                                                                                                            |                                      | DWG NO. <b>MPX2-3270</b><br>REV. <b>A</b>                                                                                  |



**RARITAN PX**  
**MODEL NUMBER: PX2-3270**

## **TRIP CURVE**

This file generated on: Mon, December 12, 2016 - 20:01:19