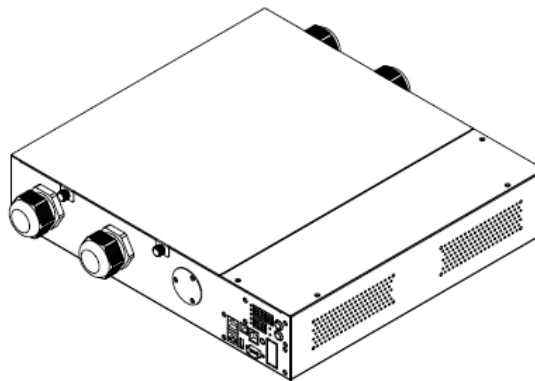


## Technical Specifications / Engineering Submittals

Raritan Model Number: PX2-3283

rev20200701

### LINE DRAWING



### FEATURES

Energy Metering	Voltage (V), Current (A), Active Power (kW), Real Power (kVA), Energy (kWh), Power Factor
Metering Accuracy	ISO/IEC 62053-21 1%
Metering per Input Line	Yes
Metering per Branch Circuit Breaker	No
Metering per Output Receptacle	No
Remote Outlet Switching	No
Environmental Sensor Ready	Yes
Replaceable Controller	No
Compatible Sensors	Temperature, Humidity, Air Flow, Differential Pressure, Water Leak, and Contact Closure
Networking	(10/100 BaseT) Ethernet port. Optional WiFi (802.11a/b/g/n)
Remote Management	HTTP(s); SSH; Telnet; RS-232 (Serial); Power IQ; SNMP version v2/v3; SMTP; JSON-RPC
Cascading	Yes, Max 8 PDUs can be daisy chained using USB connection
Onboard Display	3-digit LED user-selectable display : Voltage, current, or active power (per line)
Embedded Processor	ARM 9 400MHZ (Atmel SAM9G20), 16MB NOR Flash, 64MB SDRAM

## Technical Specifications / Engineering Submittals

Raritan Model Number: PX2-3283

rev20200701

### INPUT

Input Plug	IEC 60309 3P+E 9h 60A (3P4W)
Cord Length	3 meters (9.84 feet) standard
Cord Entry	Rear feed
Cable Type	IP67("Watertight")
Number of Power Cords	2
Maximum Input Current	60A
Nominal Input Voltage	208V 3 phase
Rated Input Voltage	208 - 240V 3 phase
Input Frequency	50/60Hz
Power Capacity	0.0kVA at 208V, 0.0kVA at 240V

### OUTPUT

Nominal Output Voltage	208V
Rated Output Voltage	208 - 240V
Receptacles (Output Connections)	(2) IEC 60309 3P+E 9h 60A, 48A
Securelock Support	No
Cord Retention	No
Overload Protection	N/A

### PHYSICAL

Color	Black powder coat (custom colors available)
Unit Dimensions (WxDxH)	17.3" x 15.8" x 3.5" ; 440mm x 400mm x 88mm
Unit Weight	24 kg
Shipping Weight	30 kg
Shipping Dimensions (WxDxH)	28.15" x 21.46" x 20.87" ; 715mm x 545mm x 530mm
Mounting	RACK-KIT-PX-2U-T1

## Technical Specifications / Engineering Submittals

Raritan Model Number: PX2-3283

rev20200701

### ENVIRONMENTAL

---

Operating Temperature	60°C
Operating Relative Humidity	85%
Operating Elevation	0-6000ft
Storage Temperature	-25 to 65°C
Storage Humidity	0-100%
Storage Elevation	0-10000ft

---

### CONFORMANCE

---

Regulatory Approvals	UL Listed, Canada ICES-003, Part 15 Class A of the FCC rules, RoHS compliant
Warranty	Standard 2 years manufacturer warranty (Extended warranty available for purchase)

---

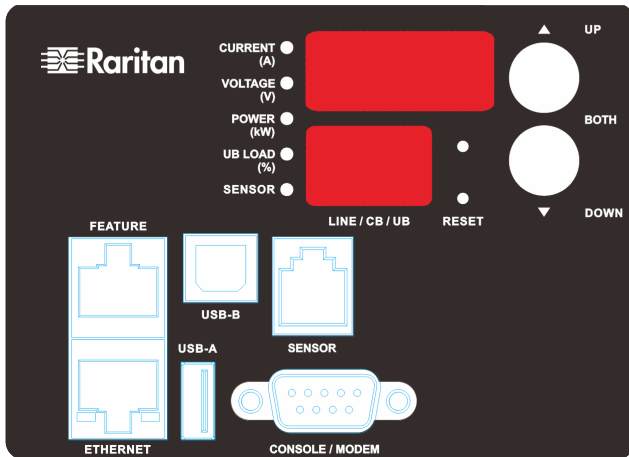
## Technical Specifications / Engineering Submittals

Raritan Model Number: PX2-3283

rev20200701

### CONTROL PANEL

Dimension: 106.5mm x 77mm

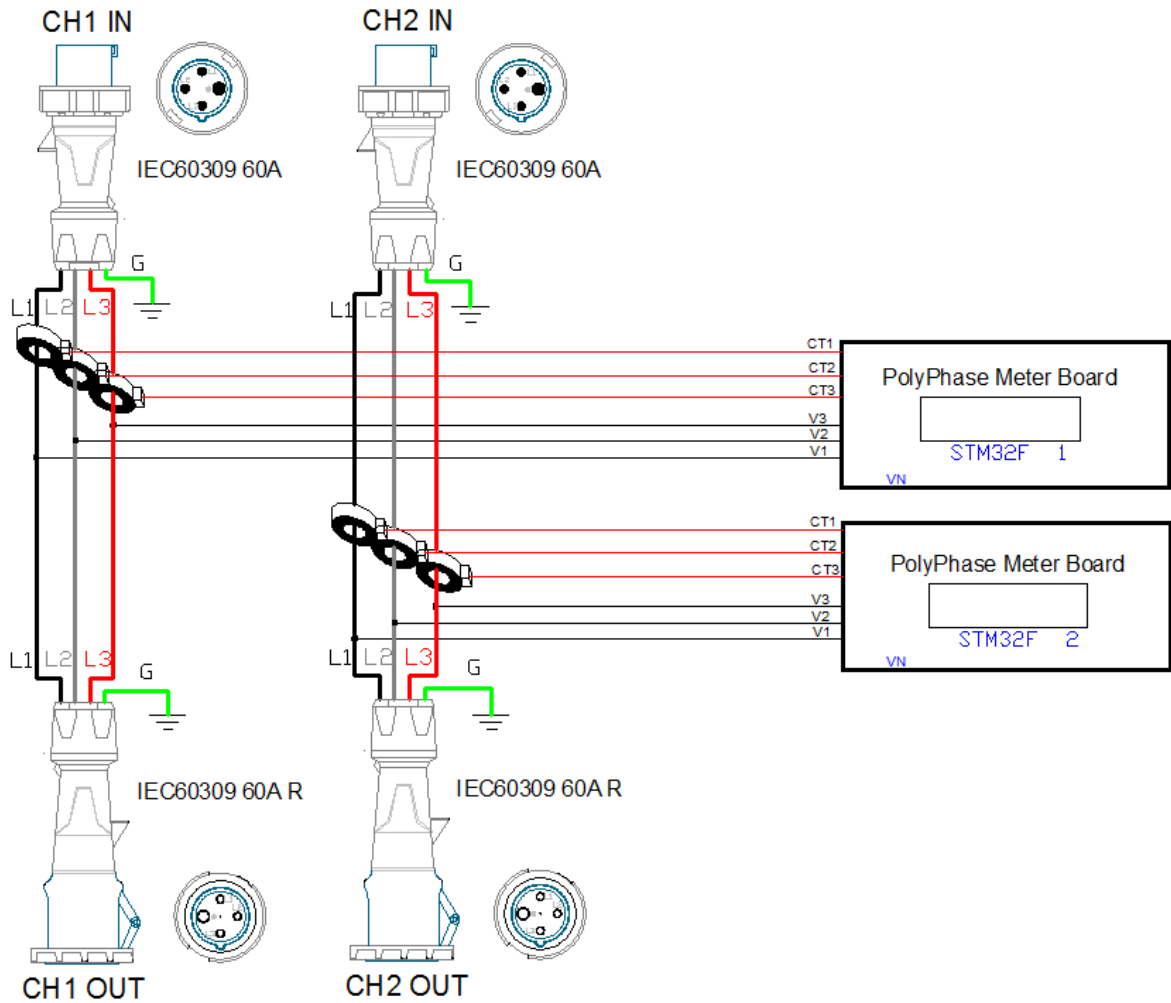


## Technical Specifications / Engineering Submittals

Raritan Model Number: PX2-3283

rev20200701

### ELECTRICAL (ONE LINE) DIAGRAM

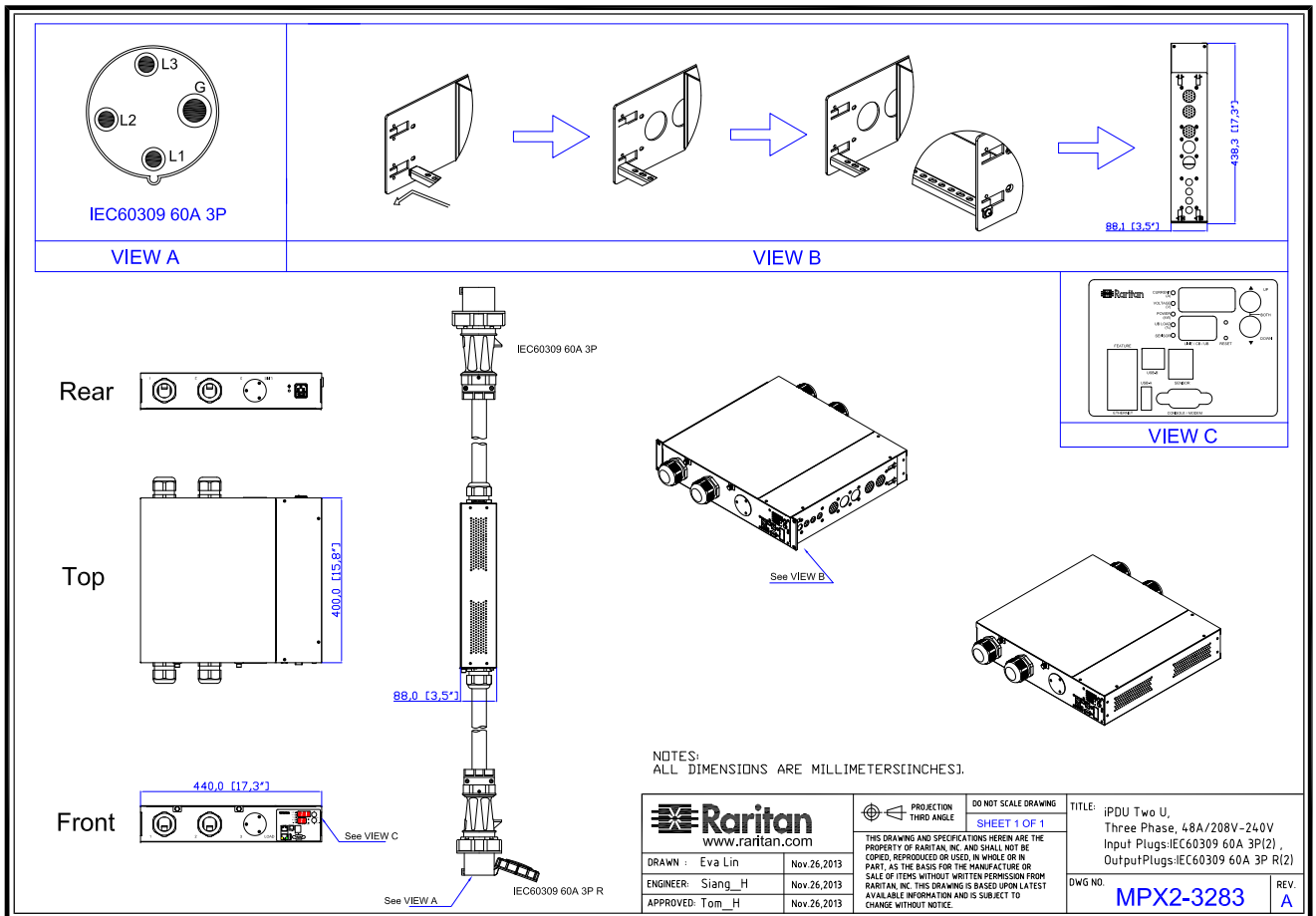


## Technical Specifications / Engineering Submittals

Raritan Model Number: PX2-3283

rev20200701

### MECHANICAL DIAGRAM



## Technical Specifications / Engineering Submittals

Raritan Model Number: PX2-3283

rev20200701

### TRIP CURVE

This file generated on: Wed, July 01, 2020 - 07:00:14