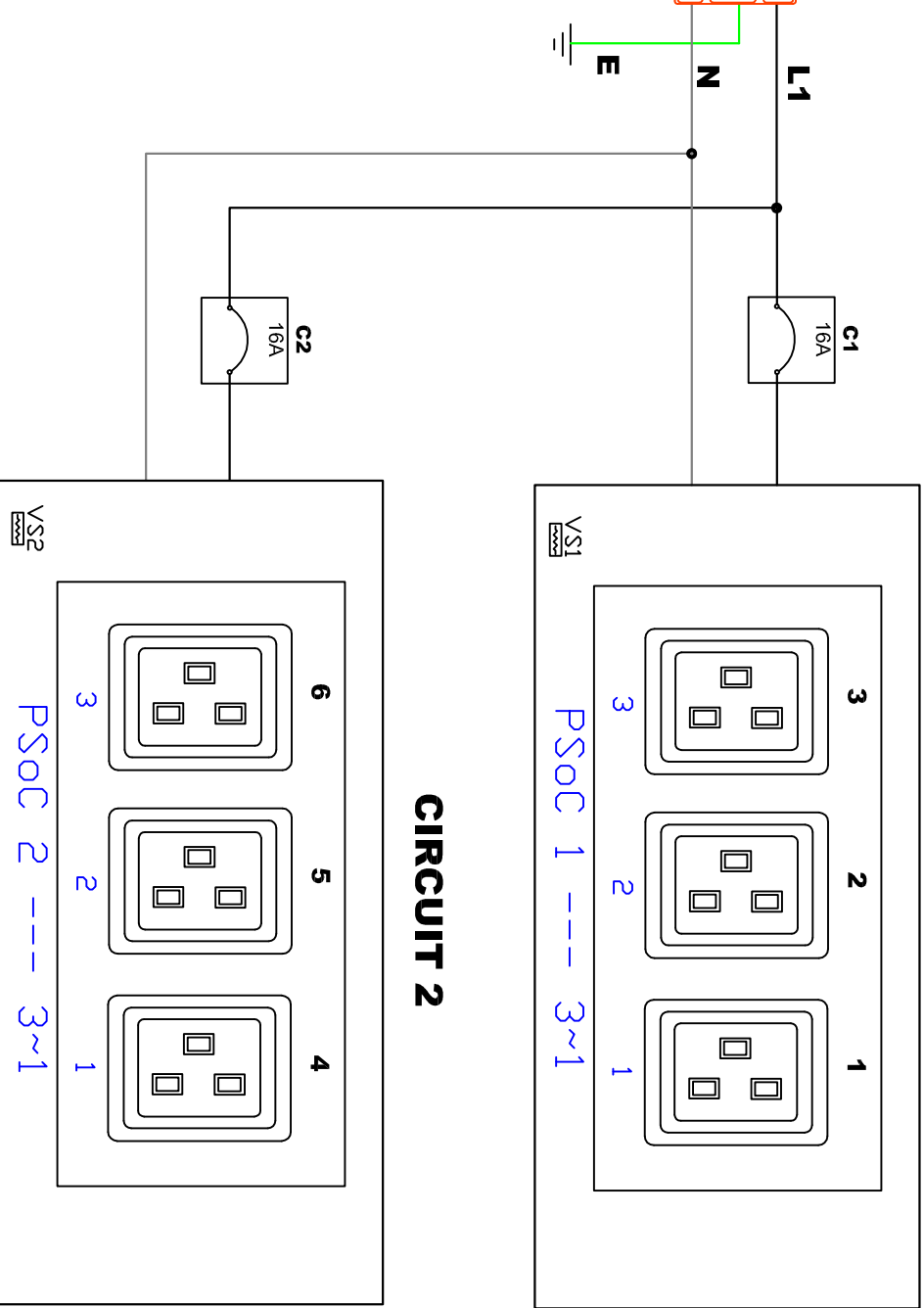


CLIPSAL
56PA332



CIRCUIT 1

CIRCUIT 2



DRAWN : Tomy
ENGINEER: Kevin.Chu
APPROVED: Alex.Lee

PROJECTION
THIRD ANGLE

DO NOT SCALE DRAWING
SHEET 1 OF 1

THIS DRAWING AND SPECIFICATIONS HEREIN ARE THE PROPERTY OF RARITAN, INC. AND SHALL NOT BE COPIED, REPRODUCED OR USED, IN WHOLE OR IN PART, AS THE BASIS FOR THE MANUFACTURE OR SALE OF ITEMS WITHOUT WRITTEN PERMISSION FROM RARITAN, INC. THIS DRAWING IS BASED UPON LATEST AVAILABLE INFORMATION AND IS SUBJECT TO CHANGE WITHOUT NOTICE.

TITLE:
iPDU 1U, Metered & Switched, Single phase
32A / 240V
Input : CLIPSAL 56PA332 32A
Output : (6) C19

DWG NO. **TPX2-4134A2R**

REV.
A